



see what Delta can do™

BATHROOM FAUCETS

- Compel® Collection
- Single Handle Deck Mount

STANDARD SPECIFICATIONS:

- Max. flow rate 1.2 gpm @ 60 psi, 4.5 L/min @ 414 kPa
- GPM indicates max 1.0 gpm @ 60 psi, 3.8 L/min @ 414 kPa
- HGM indicates max.0.5 gpm @ 60 psi, 1.9 L/min @ 414 kPa
- One or three hole mount (escutcheon optional, included)
- Diamond coated ceramic cartridge
- Optional red/blue indicator ring provided with model
- 1/4" O.D. straight, staggered PEX supply tubes
- Models have metal drain with push pop-up type fitting with plated flange and stopper, no lift rod hole
- "LPU" models less pop-up drain; no lift rod hole

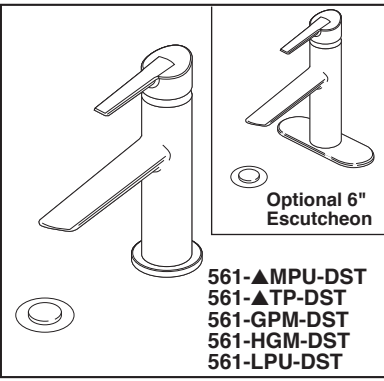
WARRANTY

- Parts and Finish - Lifetime limited warranty; or for commercial purchasers, 10 years for multi-family residential (apartments and condominiums) and 5 years for all other commercial uses, in each case from the date of purchase.
- Electronic Parts and Batteries (if applicable) - 5 years from the date of purchase; or for commercial purchasers, 1 year from the date of purchase. No warranty is provided on batteries.

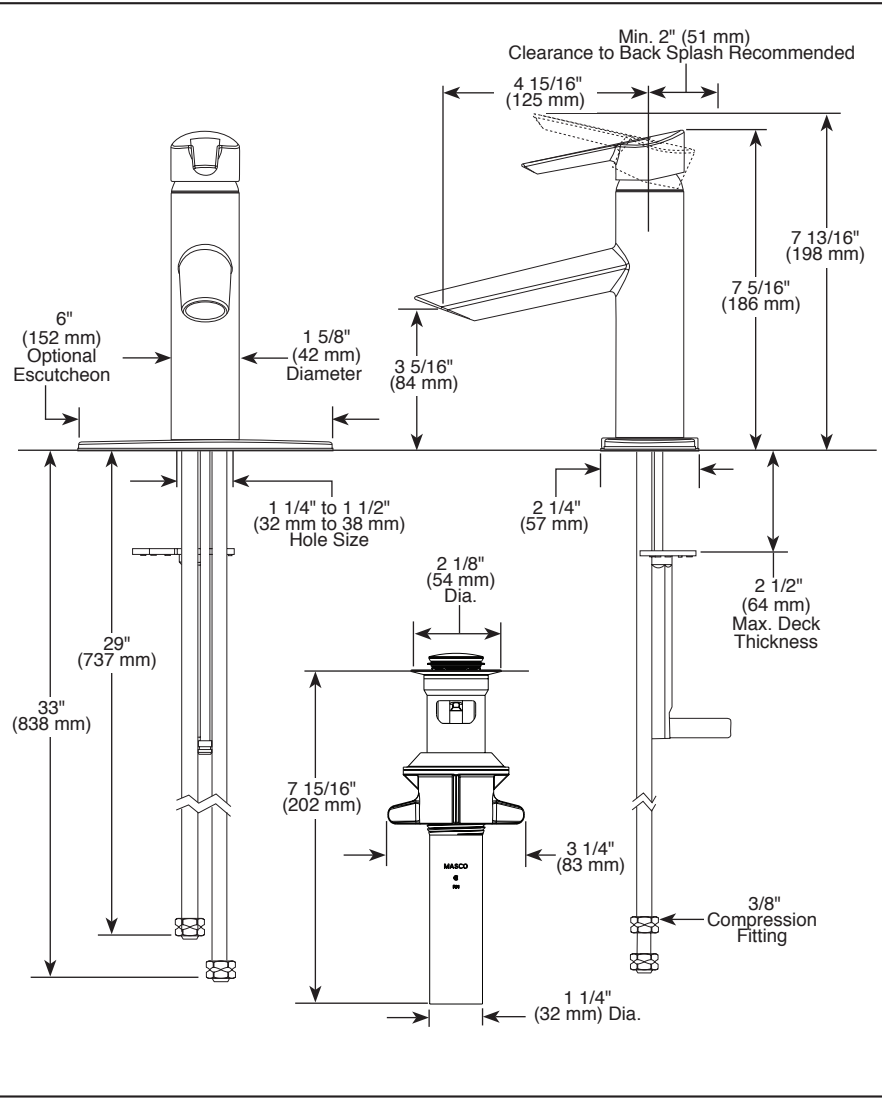


COMPLIES WITH:

- ASME A112.18.1 / CSA B125.1
- ASME A112.18.2 / CSA B125.2
- ♿ Indicates compliance to
- ICC/ANSI A117.1 - Valve control only
- EPA WaterSense® - Applies to 561-MPU-DST, 561-TP-DST, 561-GPM-DST and 561-LPU-DST



Submitted Model No.: _____
Specific Features: _____



▲ Designate Proper Finish Suffix

Delta reserves the right (1) to make changes in specifications and materials, and (2) to change or discontinue models, both without notice or obligation. Dimensions are for reference only. See current full-line price book or www.deltafaucet.com for finish options and product availability.