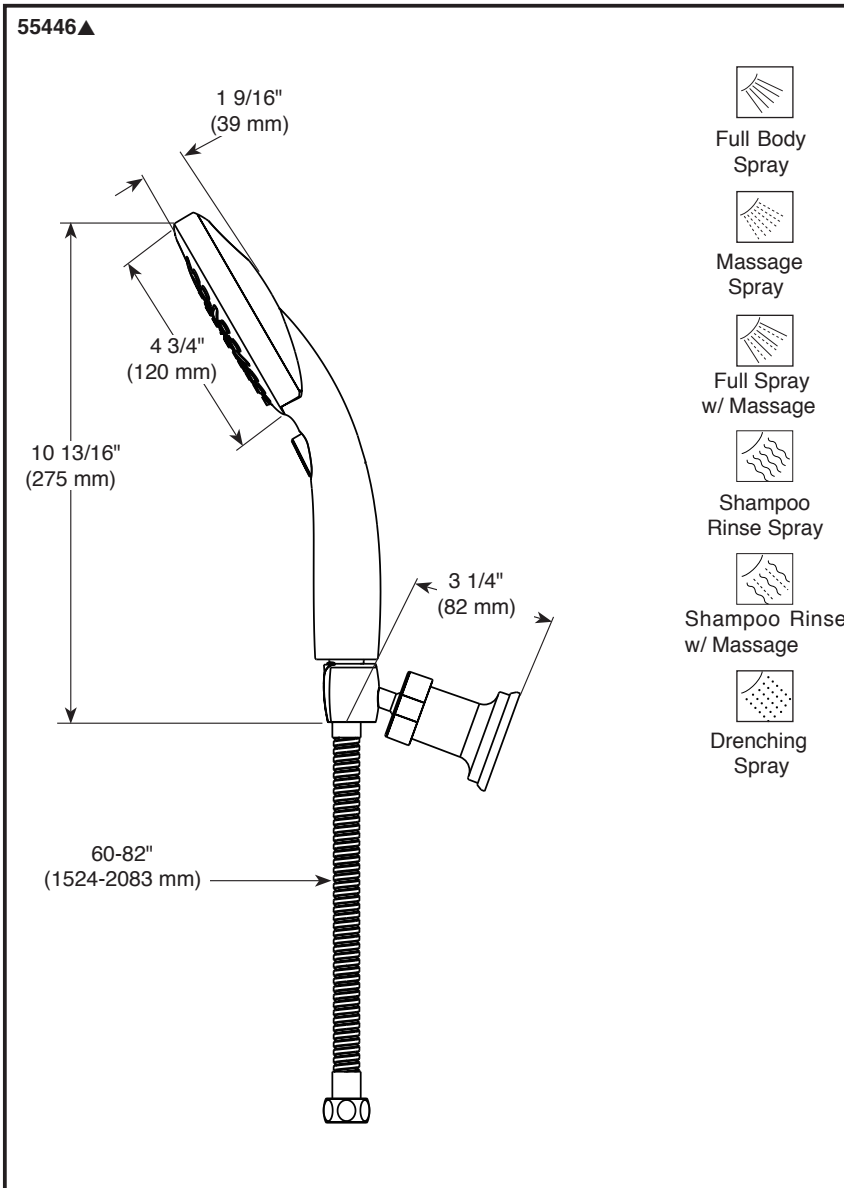


Submitted Model No.: \_\_\_\_\_

Specific Features: \_\_\_\_\_



▲ Designate proper finish suffix



see what Delta can do™

## HANDSHOWER

- Temp20™ temperature display handshower
- 6-spray setting wall mount handshower
- Temperature display changes color as temperature increases

### FEATURES:

- Touch-Clean® Nozzles

### STANDARD SPECIFICATIONS:

- Maximum 1.75 gpm @ 80 psi, 6.6 L/min @ 550 kPa
- 60-82" (1524-2083 mm) metal stretchable hose
- Change spray modes with pushbutton
- No batteries required
- Dual check valves for backflow prevention

### WARRANTY

- Lifetime limited warranty on parts (other than electronic parts and batteries) and finishes; or, for commercial users, for 5 years from the date of purchase.
- 5 year limited warranty on electronic parts (other than batteries); or for commercial users, for 1 year from the date of purchase. No warranty is provided on batteries.



### COMPLIES WITH:

- ASME A112.18.1 / CSA B125.1
- EPA WaterSense®

Delta reserves the right (1) to make changes in specifications and materials, and (2) to change or discontinue models, both without notice or obligation. Dimensions are for reference only. See current full-line price book or [www.deltafaucet.com](http://www.deltafaucet.com) for finish options and product availability.

DSP-B-55446 Rev. C

### Delta Faucet Company

55 E. 111th Street, Indianapolis, IN 46280  
 350 South Edgeware Road, St. Thomas, ON N5P 4L1  
 © 2017 Delta Faucet Company