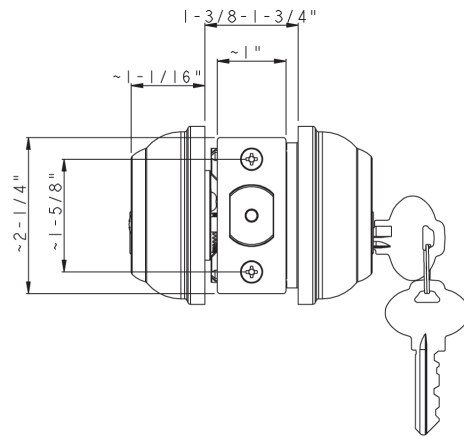
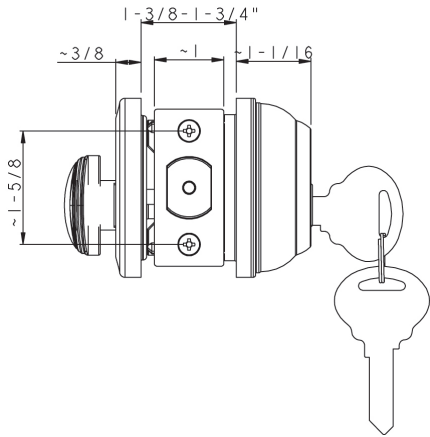


DEADBOLTS
FOR USE WITH SOLID BRASS,
CONTEMPORARY, &
TRADITIONAL COLLECTIONS

DELANEY
Designer Series™

DIMENSIONS



Single Cylinder



Double Cylinder

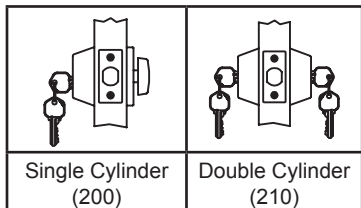
STANDARD SPECIFICATIONS

Door Prep	Cross bore: 2-1/8" Edge bore: 1" Latch face: 1" x 2-1/4"	Latches	2-3/8" & 2-3/4" adjustable (9092 UL) Faceplate: 1" x 2-1/4" round corner Bolt: Brass with hardened steel rod. Full 1" throw
Backset	Fits 2-3/8" and 2-3/4"	Strikes	1-3/4" x 2-1/4" Rd & Sq Corner (9111 & 9117) Includes Reinforcement Strike
Door Thickness	1-3/8" ~ 1-3/4" door standard, 2-1/4" Ext. Kit Available	Wood Screws	Combination screws that suit both wood or metal door mounting Includes 3" Security Screws
Cylinder	KW1 5-Pin standard (Solid Brass), SC4 6-pin Optional Deadbolts packed KA5	Door Handing	Not Required
		Grade 2 Features	<ul style="list-style-type: none"> Protective Collar 3-Hr Fire Latch High Security Strike Plate Assembly

PRICING

Model	Function	WT/LB	CTN QTY		US15	US26	US10B	US12P
200-LU-G2	Single Cylinder	27 Lbs	20 Pcs	Item No.	330601	330606	330602	330610
				List Price				
210-LU-G2	Double Cylinder	36 Lbs	20 Pcs	Item No.	340601	340606	340602	340610
				List Price				

FUNCTIONS



THE DELANEY CO.

Copyright © THE DELANEY CO. All rights reserved.