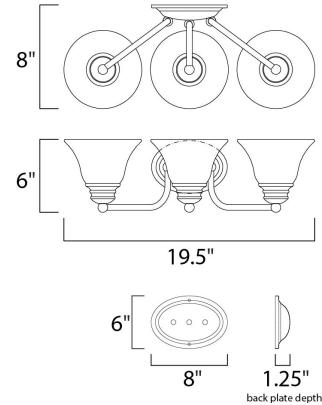


Product Specifications - DL-8268-OI

<b>DELACORA™</b>	Job Name:	Job Type:
	Quantity:	Comments:



**DL-8268-OI**  
**3-Light Bath Vanity**



**Finish**

Oil Rubbed Bronze

**Glass/Shade**

Wilshire

**Product Category**

Bath Vanity

**Lamping**

<b>Number of Bulbs</b>	3
<b>Light Type</b>	Incandescent
<b>Bulb Type</b>	MB
<b>Max Bulb Wattage</b>	100
<b>Max Fixture Wattage</b>	300
<b>Rated Life</b>	±2,500 Hours
<b>Rated Lumens</b>	±3,450
<b>Color Temp</b>	±2,700 K
<b>Bulb(s)</b>	Not Included
<b>Light Up/Down</b>	Both
<b>Beam Spread</b>	N/A
<b>CRI</b>	N/A
<b>Photo Cell Included</b>	N/A
<b>Ballast/Driver/Transformer</b>	No
<b>Dimmable</b>	Standard

**Measurements**

<b>Width</b>	19.50"
<b>Height</b>	6.00"
<b>Length</b>	N/A
<b>Extension</b>	8"
<b>Back Plate Width</b>	4.13"
<b>Back Plate Height</b>	6.13"
<b>HCO</b>	2.21"
<b>Min Overall Height</b>	0.00"
<b>Max Overall Height</b>	N/A
<b>Hanging Weight</b>	3.89 lbs
<b>Height Adjustable</b>	N/A
<b>Slope</b>	N/A
<b>Chain Length</b>	N/A
<b>Wire Length</b>	N/A
<b>Canopy Width</b>	N/A
<b>Canopy Height</b>	N/A
<b>Canopy Length</b>	N/A

**Shipping**

<b>Carton Weight</b>	4.84 lbs
<b>Carton Width</b>	8"
<b>Carton Height</b>	9"
<b>Carton Length</b>	18"
<b>Carton Cubic Feet</b>	0.73
<b>Master Pack</b>	1
<b>Master Pack Weight</b>	N/A
<b>Master Pack Width</b>	N/A
<b>Master Pack Height</b>	N/A
<b>Master Pack Length</b>	N/A
<b>Master Cubic Feet</b>	N/A
<b>UPS Shippable</b>	Yes

**Certification**

<b>Safety Rating</b>	Damp
<b>Energy Star</b>	No
<b>CA Title 24</b>	No
<b>CA Title 20</b>	No
<b>ADA</b>	No
<b>Dark Sky</b>	N/A

**Other**

<b>Shades Included</b>	N/A
<b>Crystals Included</b>	N/A
<b>Diffuser Included</b>	N/A
<b>Conversion Kit</b>	N/A
<b>Material</b>	Iron

**Equivalents**

<b>Incandescent Watts</b>	N/A
<b>Fluorescent Watts</b>	N/A

Delacora, and all designs, logos and images © Delacora. All Rights Reserved. Delacora reserves the right, at any time, to make changes in the design and/or construction of the product, including the discontinuation of the product without prior notice. Color may vary from what is pictured due to the limitations inherent to the photographic process.

Always consult a qualified, licensed electrician before installation of any product weighing 35 pounds or more. We recommend that a qualified, licensed electrician do the installation. Always install to a mechanically sound structure.