

## SPECIFICATIONS

### ANTIOCH™ TRIM ONLY FOR TWO HANDLE ROMAN TUB FAUCET

**Model**

D300922T

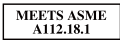
**Description**

- High-rise solid brass spout
- Slip spout mounting
- Use with valve: D210000BT (fixed) or D215000BT (widespread)

**Standards**



- UPC/cUPC
- Energy Policy Act of 1992



- ASME A112.18.1



- ADA Accessibility Guidelines for Buildings and Facilities - 4.27.4 Controls and Mechanisms

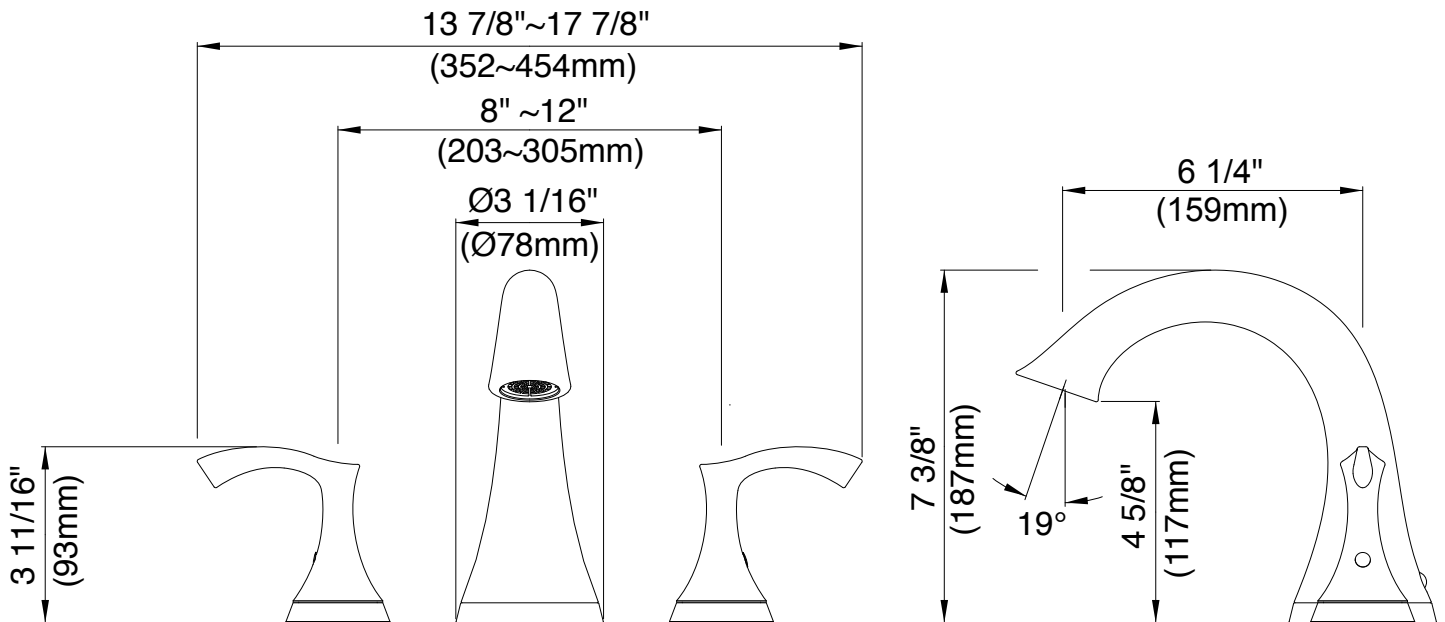
**Warranty**

Danze products are covered by a manufacturer's limited "lifetime" warranty for manufacturing defects.



**Finishes Available**

- Chrome
- Other: Refer to Price List for additional finish



Submittal Information:

Job Name: \_\_\_\_\_

Location: \_\_\_\_\_

Contractor: \_\_\_\_\_

Contact #: \_\_\_\_\_