

SPECIFICATIONS

AERATOR KIT 1.5 GPM

Description

- Flow rate at 1.5 gallon per minute
- Female or male thread available
- Insert provided by Neoperl (see the number in brackets below)
- Rolling printed "A112.18.1M, 1.5 GPM / 5.7 LPM Max"
- Pressure compensating between 20 psi and 80 psi

Standards

MEETS ASME
A112.18.1M

- ASME A112.18.1M

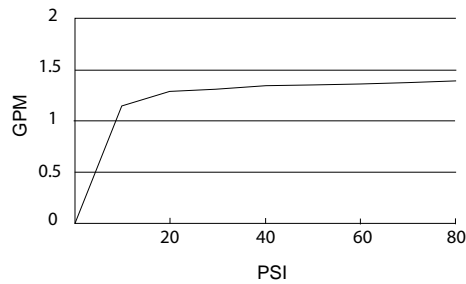
Warranty

Danze products are covered by a manufacturer's limited "lifetime" warranty for manufacturing defects.

Model Numbers:

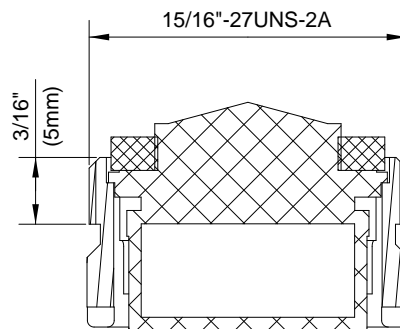
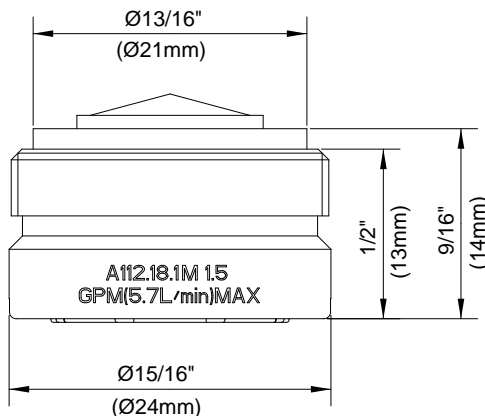
DA500001N (42.3156.0)	1.5 GPM, junior, male, laminar, no wrench included
DA500973N (A5.4162.0.0001)	1.5 GPM, standard, female, laminar, no wrench included
DA613073N (42.3156.0)	1.5 GPM, junior, male, laminar
DA613083N (A5.4162.0.0001)	1.5 GPM, standard, male, laminar
DA500200N (42.3156.0)	1.5 GPM, junior, male, laminar, no wrench included
DA500231N (A5.4162.0.0001)	1.5 GPM, standard, female, laminar, no wrench included
DA500062N (44.3151.0)	1.5 GPM, tom thumb, female, laminar, no wrench included
DA613095N (44.3151.0)	1.5 GPM, tom thumb, male, laminar
DA613079N (44.3151.0)	1.5 GPM, tom thumb, male, laminar
DA500195N (A5.4162.0.0001)	1.5 GPM, standard, male, laminar, no wrench included
DA613089N-50 (31.2011.1)	1.5GPM, flow controller kits, aerated, male
DA613087N-65 (31.2011.1)	1.5GPM, flow controller kits, aerated, female
DA613088N-54 (31.2011.1)	1.5GPM, flow controller kits, aerated, male
DA519254N (31.2011.1)	1.5GPM. flow controller only, aerated, no wrench included

Flow Rate



Finishes Available

- Chrome
- Other: Refer to Price List for additional finish



Submittal Information:

Job Name: _____
Contractor: _____

Location: _____
Contact #: _____