

TWO HANDLE THERMOSTATIC SHOWER VALVE WITH TRIM


Description

- 1/2" combination IPS/Copper sweat on all three ports
- 3-port shower valve with stops
- With temperature limit adjustment

Flow & Valving

- See Chart

Standards

- ASME A112.18.1
- CSA B125
- ASSE 1016
- Listed IAPMO/UPC
- ADA Accessibility Guidelines for Buildings and Facilities - 4.27.4 Controls and Mechanisms 

Warranty

Danze products are covered by a manufacturer's limited "lifetime" warranty for manufacturing defects.



D560145
SOUTH SEA™



Available Colors & Finish

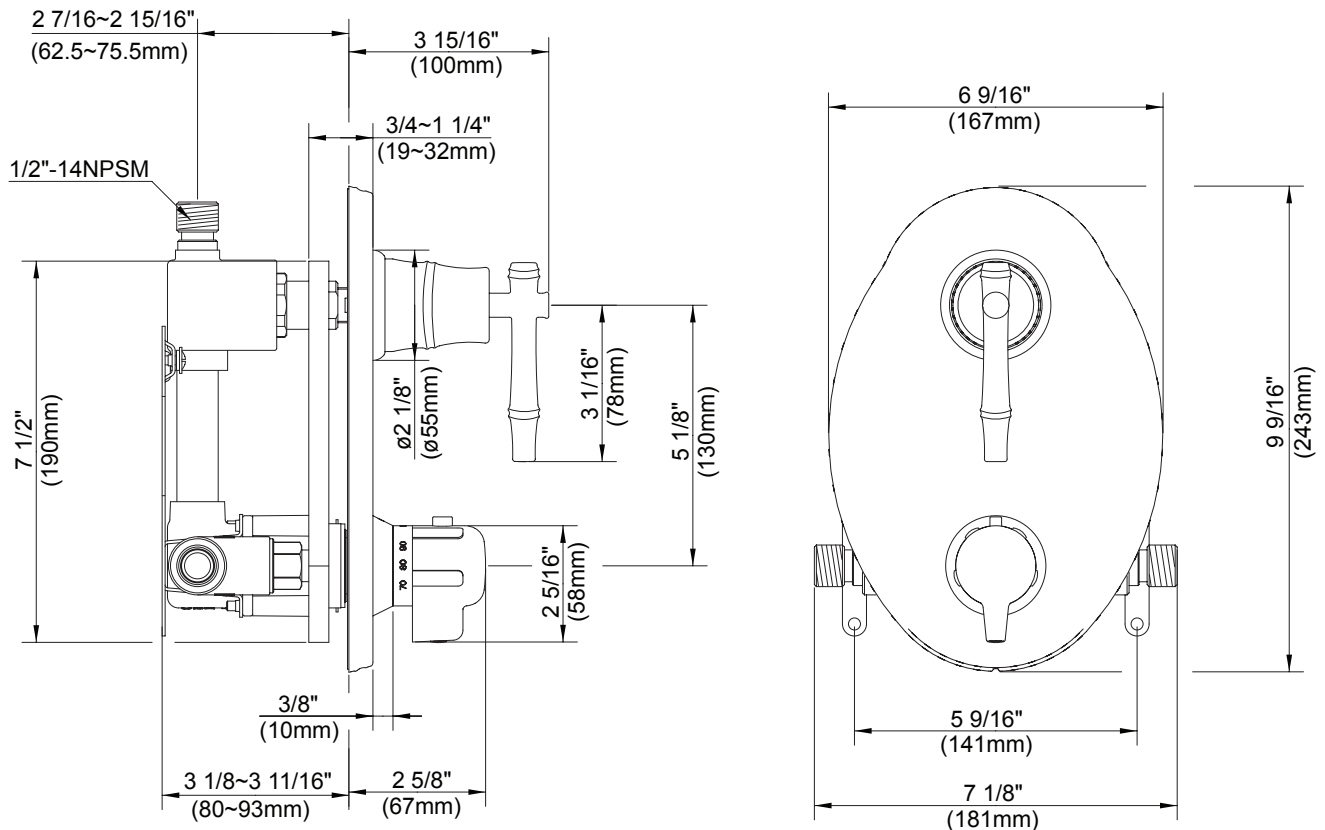
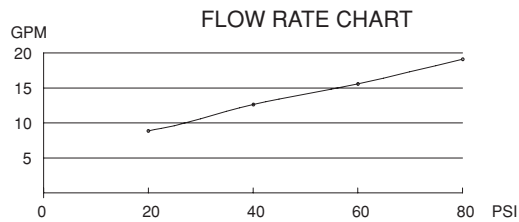
- Brushed Nickel (BN)
- Distressed Bronze (RBD)

Trim Kit :

(for use w/thermostatic shower valve)
D560145T

Special Packaging

- Model numbers for trim kit items include the suffix "T".



Specific Features: _____ Submitted Model No.: _____

SD560145/04-07.01