

SPECIFICATIONS

BELLEFLEUR® SINGLE HANDLE KITCHEN FAUCET

Model

D401546 (Replaces D405046 series)

Description

- Ceramic disc valve
- 15" high spout, 9" spout length
- Matching brass spray
- 2 hole mount

Standards



Certified to NSF/ANSI 61 Section 9

- NSF 61-9
- Energy Policy Act of 1992



NSF/ANSI 372

- ASME A112.18.1M/A112.18.1
- NSF/ANSI 372
- CSA B125.1

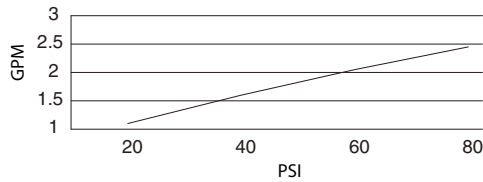


- ADA Accessibility Guidelines for Buildings and Facilities - 4.27.4 Controls and Mechanisms

Warranty

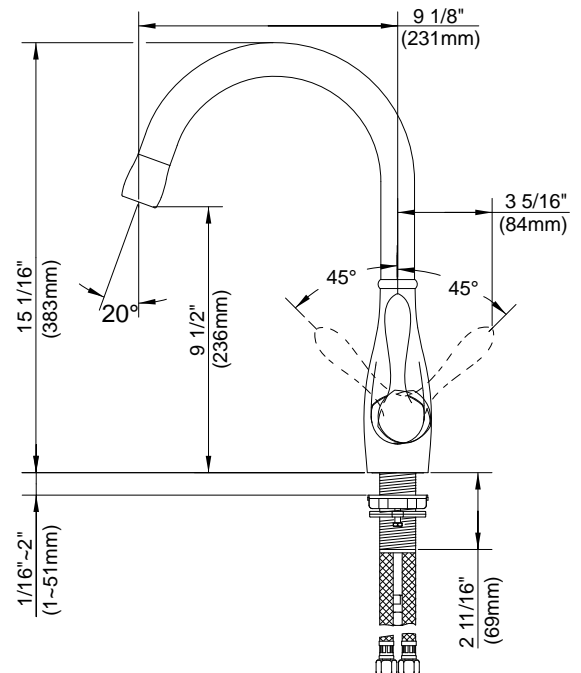
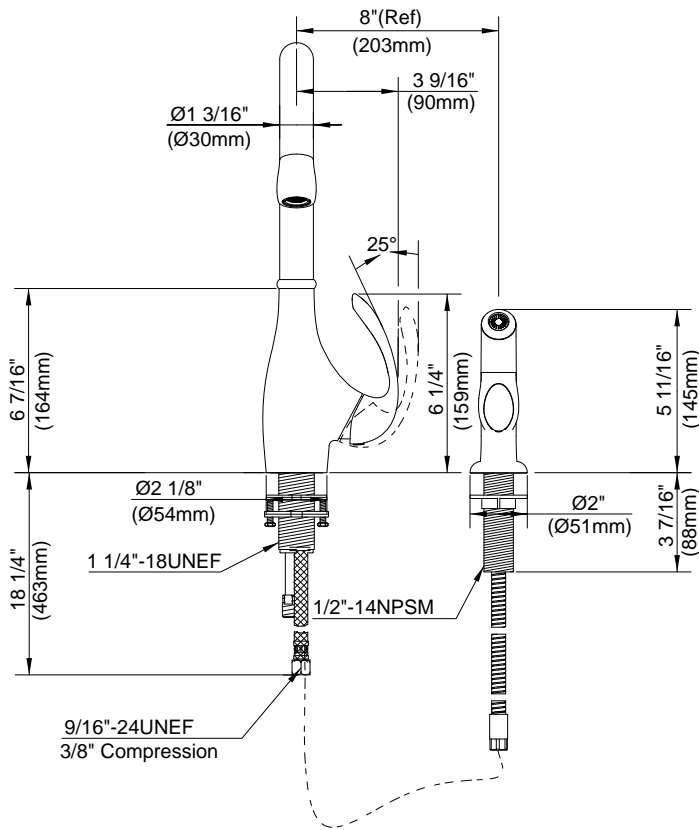
Danze products are covered by a manufacturer's limited "lifetime" warranty for manufacturing defects.

Flow Rate



Finishes Available

- Chrome
- Other: Refer to Price List for additional finish



Submittal Information:

Job Name: _____
Contractor: _____

Location: _____
Contact #: _____