

### SINGLE HANDLE DECK MOUNT POT FILLER


#### Description

- Two durable ceramic disc valves
- Spout extends up to 21" with a height of 12" above counter
- 3" faucet riser tube included for special installations

#### Flow & Valving

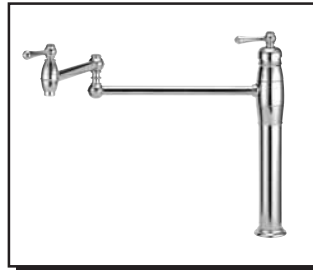
- See Chart

#### Standards

- ASME A112.18.1
- CSA B125
- NSF 61-9
- Listed IAPMO/UPC
- Energy policy act of 1992
- ADA Accessibility Guidelines for Buildings and Facilities - 4.27.4 Controls and Mechanisms 

#### Warranty

Danze faucets are covered by a manufacturer's limited "lifetime" warranty for manufacturing defects.

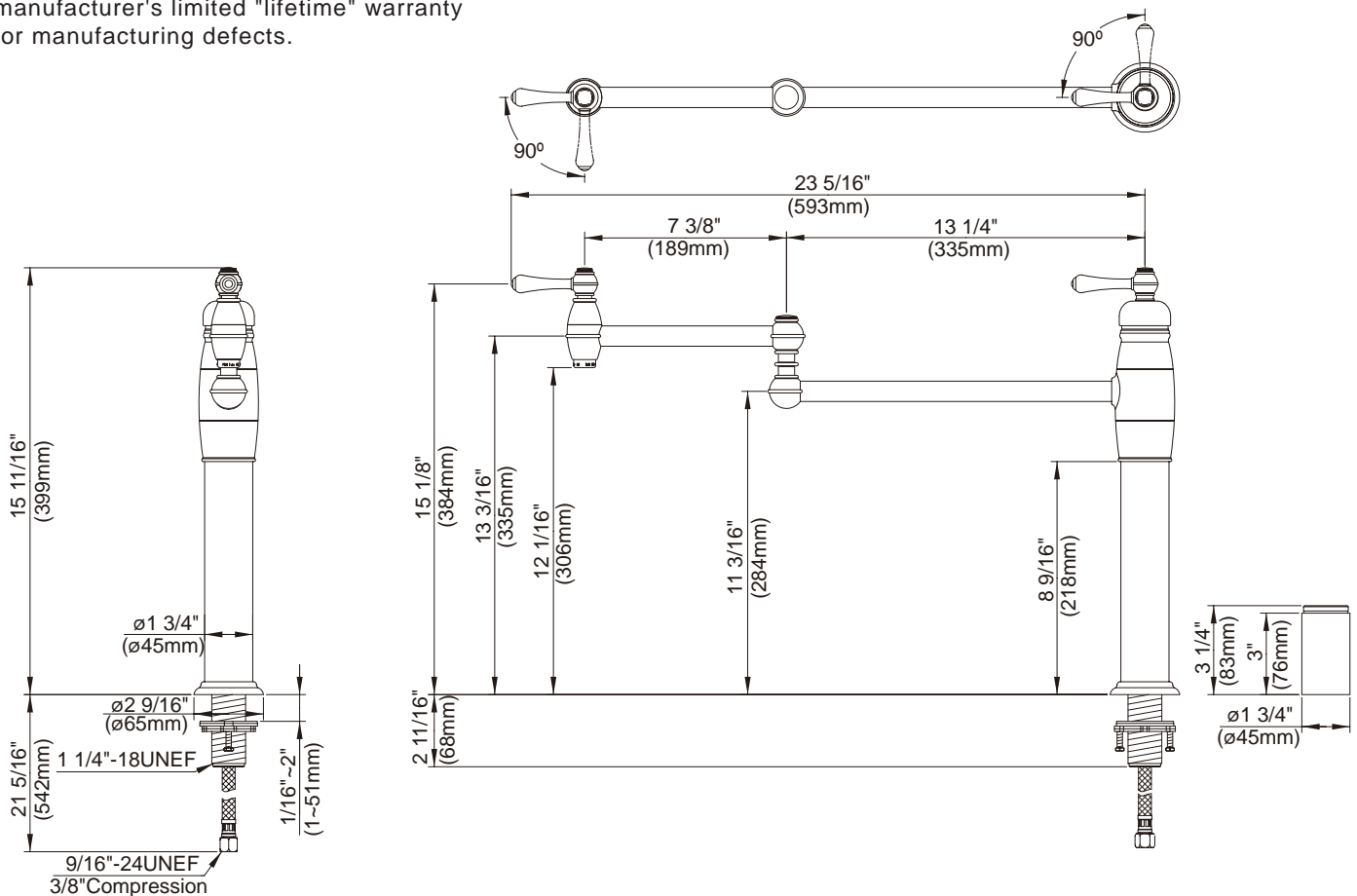
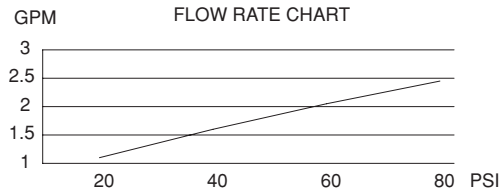


d206057  
Opulence™



#### Available Colors & Finish

- Chrome
- Antique Copper (AC)
- Satin Black (BS)
- Oil Rub Bronze (RB)
- Stainless Steel (SS)



Specific Features: \_\_\_\_\_ Submitted Model No.: \_\_\_\_\_

SD206057/01-07.01