

**SPECIFICATIONS**

**AERIAL™ SINGLE HANDLE PRESSURE BALANCE TUB & SHOWER FAUCET**

**Model**

D510025

**Description**

- Single handle with 4" Traditional style showerhead
- 1/2" slip spout fits 1/2" copper or 1/2" IPS stub-out
- Diverter on spout
- Back to back installation capabilities

**Standards**



- UPC/cUPC
- Energy policy act of 1992



- ASME A112.18.1



- CSA B125



- ASSE 1016

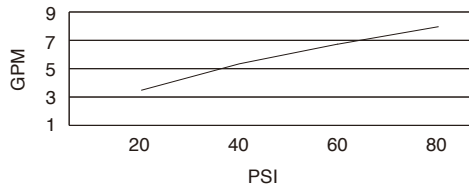


- ADA Accessibility Guidelines for Buildings and Facilities - 4.27.4 Controls and Mechanisms

**Warranty**

Danze products are covered by a manufacturer's limited "lifetime" warranty for manufacturing defects.

**Flow Rate**



**Trim Kits:**

- (for use w/pressure balance valves)
- D510025T (Tub/Shower trim)
- D510525T (Shower only trim)
- D510425T (Valve escutcheon trim)

**Special Packaging**

- This product also available with valve packaged separate from trim.
- Use with single handle pressure balance valves: D112000BT (w/stops) D115000BT (w/o stops)
- Valves are combination 1/2" copper sweat, 1/2" NPT threaded connectors for all ports.

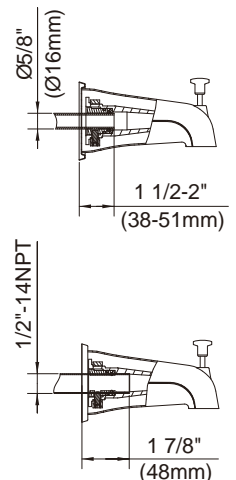
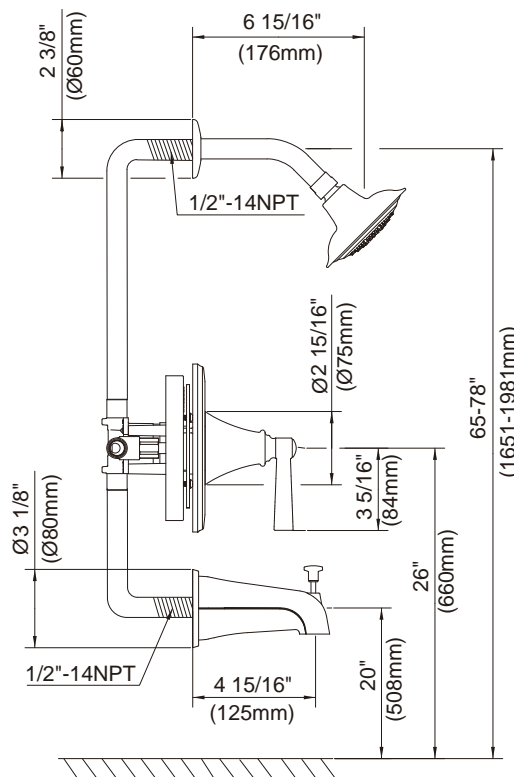
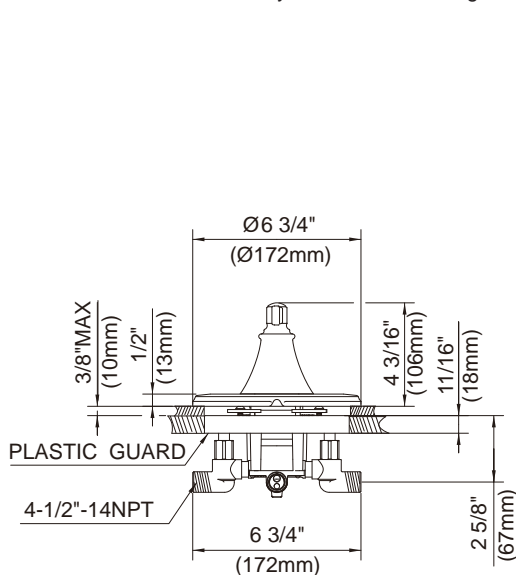


**Finishes Available**

- Chrome
- Other: Refer to Price List for additional finish

**With Diverter & Stops:**  
D510025 (Tub/Shower)

**With Stops:**  
D510525 (Shower only)



**Submittal Information:**

Job Name: \_\_\_\_\_  
Contractor: \_\_\_\_\_

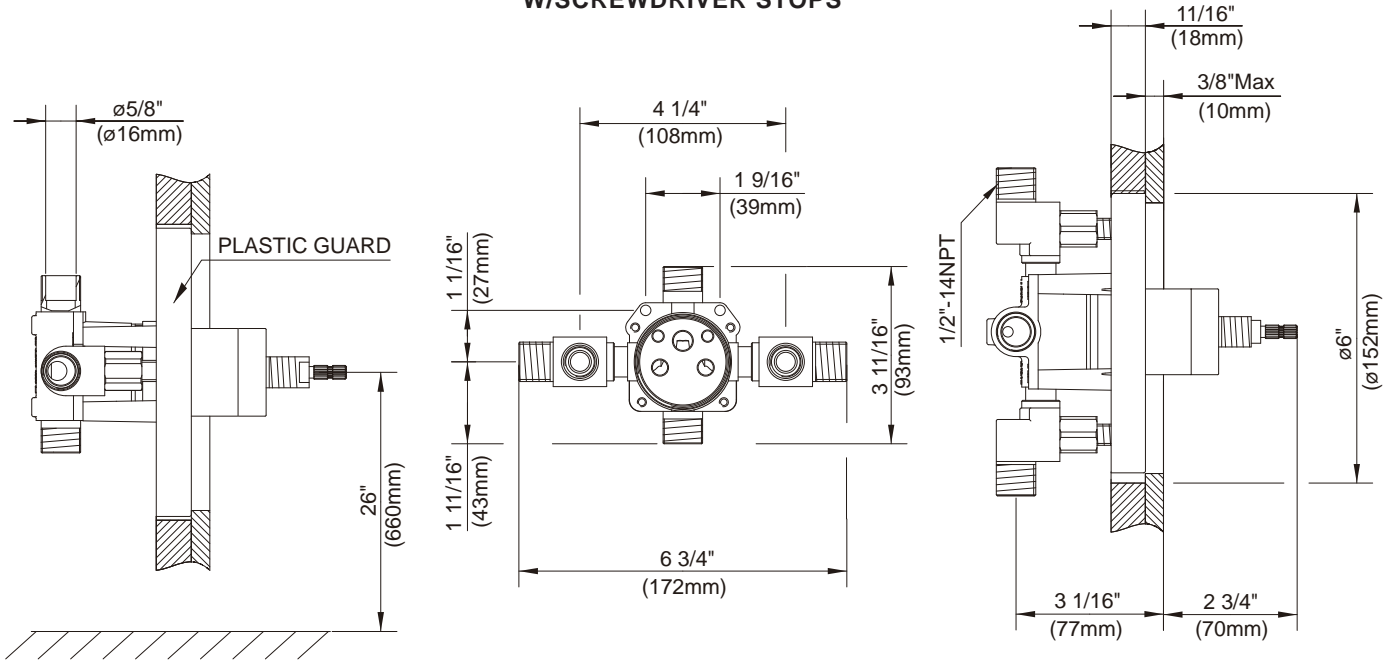
Location: \_\_\_\_\_  
Contact #: \_\_\_\_\_

## SPECIFICATIONS

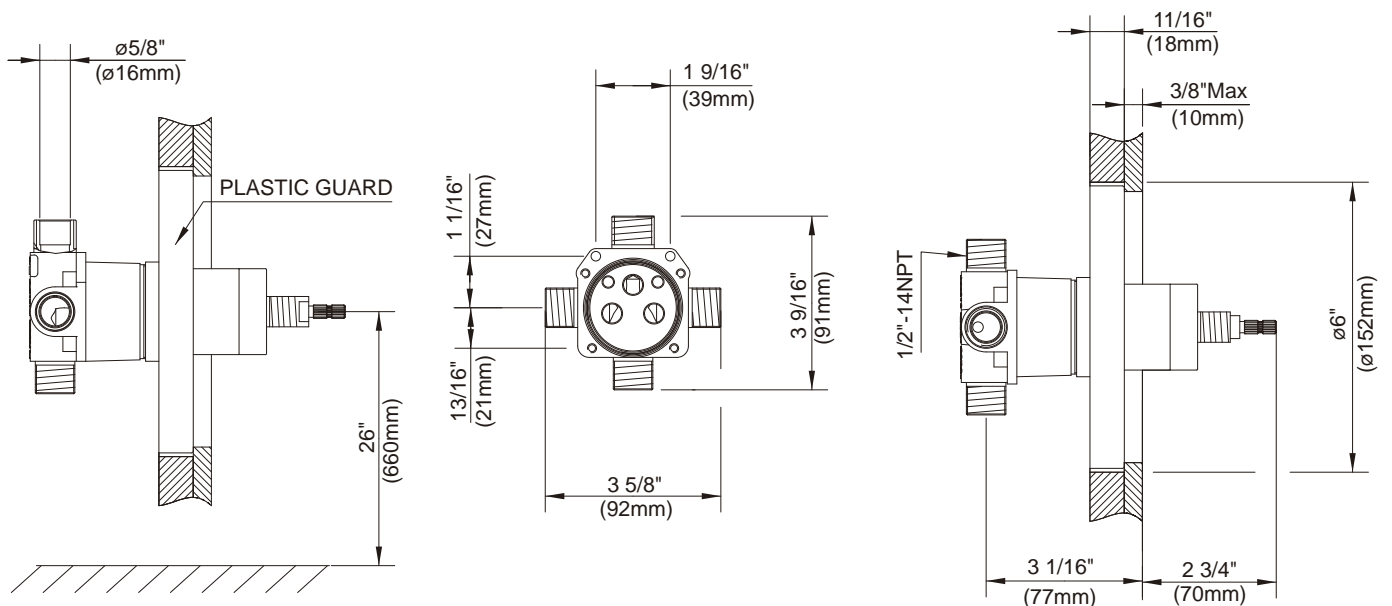
### AERIAL™ SINGLE HANDLE PRESSURE BALANCE TUB & SHOWER FAUCET

Critical Dimensions : Rough-in valve D112000BT (w/stops) & D113000BT (w/diverter & stops)

#### W/SCREWDRIVER STOPS



#### W/O STOPS



#### Submittal Information:

Job Name: \_\_\_\_\_

Location: \_\_\_\_\_

Contractor: \_\_\_\_\_

Contact #: \_\_\_\_\_