

SPECIFICATIONS

ROMAN TUB & DIVERTER SPRAY KIT

Note : Old product # in parenthesis for reference

Features


Description

- 3 pc. Roman Tub:
2 handle with cast arc spout
- Roman Tub Diverter Spray Kit:
Hand-held shower & rotating diverter handle

Flow & Valving

- See Chart

Standards

- ASME A112.18.1
- CSA B125
- NSF 61-9
- Listed IAPMO/UPC
- ADA Accessibility Guidelines for Buildings and Facilities - 4.27.4 Controls and Mechanisms 

Warranty

Danze faucets are covered by a manufacturer's limited "lifetime" warranty on finish, valve leaks, and manufacturing defects.



D302555(3025-55)
SHERIDAN™

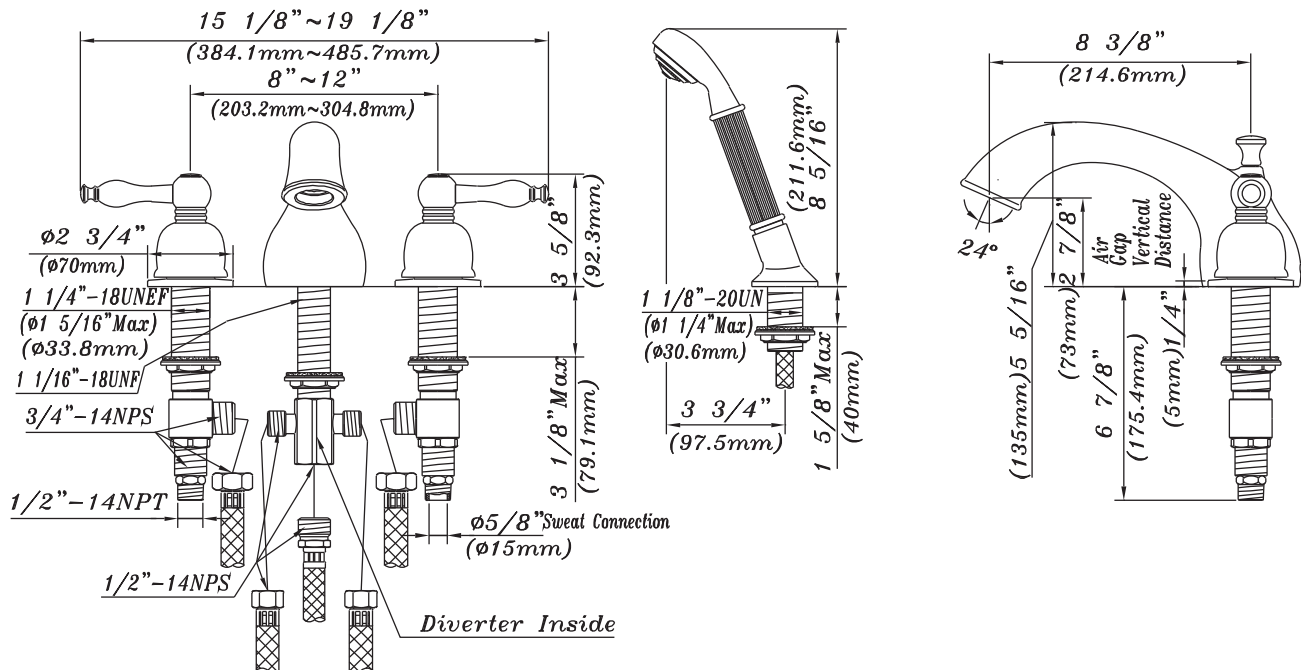
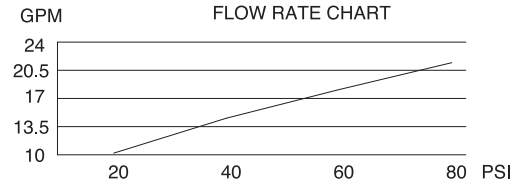


Available Colors & Finish

- Chrome
- Chrome with Polished Brass Accents (CPBV)
- Polished Brass (PBV)
- Brushed Nickel (BN)
- Brushed Nickel with Polished Brass Accents (BNPV)
- Oil Bronze (RB)



D300855(3026-55)
SHERIDAN™



Specific Features: _____ Submitted Model No.: _____