

### ROMAN TUB FAUCET WITH SOFT TOUCH PERSONAL SHOWER™

#### Description

- 2 handle with solid brass spout
- Soft Touch Personal Shower™ with integral diverter system\*
- Spout plug for pressure testing & plaster guard
- Fits 1 3/8" to 1 1/2" diameter mounting hole



D301771 (Shown)  
PLYMOUTH™



#### Available Colors & Finish

- Chrome
- Brushed Nickel (BN)
- Brushed Nickel with Polished Brass Accents (BNPV)
- Chrome with Polished Brass Accents (CPBV)
- Polished Brass (PBV)

#### Standards

- ASME A112.18.1
- CSA B125
- Listed IAPMO/UPC
- ADA Accessibility Guidelines for Buildings and Facilities - 4.27.4 Controls and Mechanisms

#### With widespread rough-in valve:

- D301771 (w/Personal Shower)
- D301571 (w/o Personal Shower)

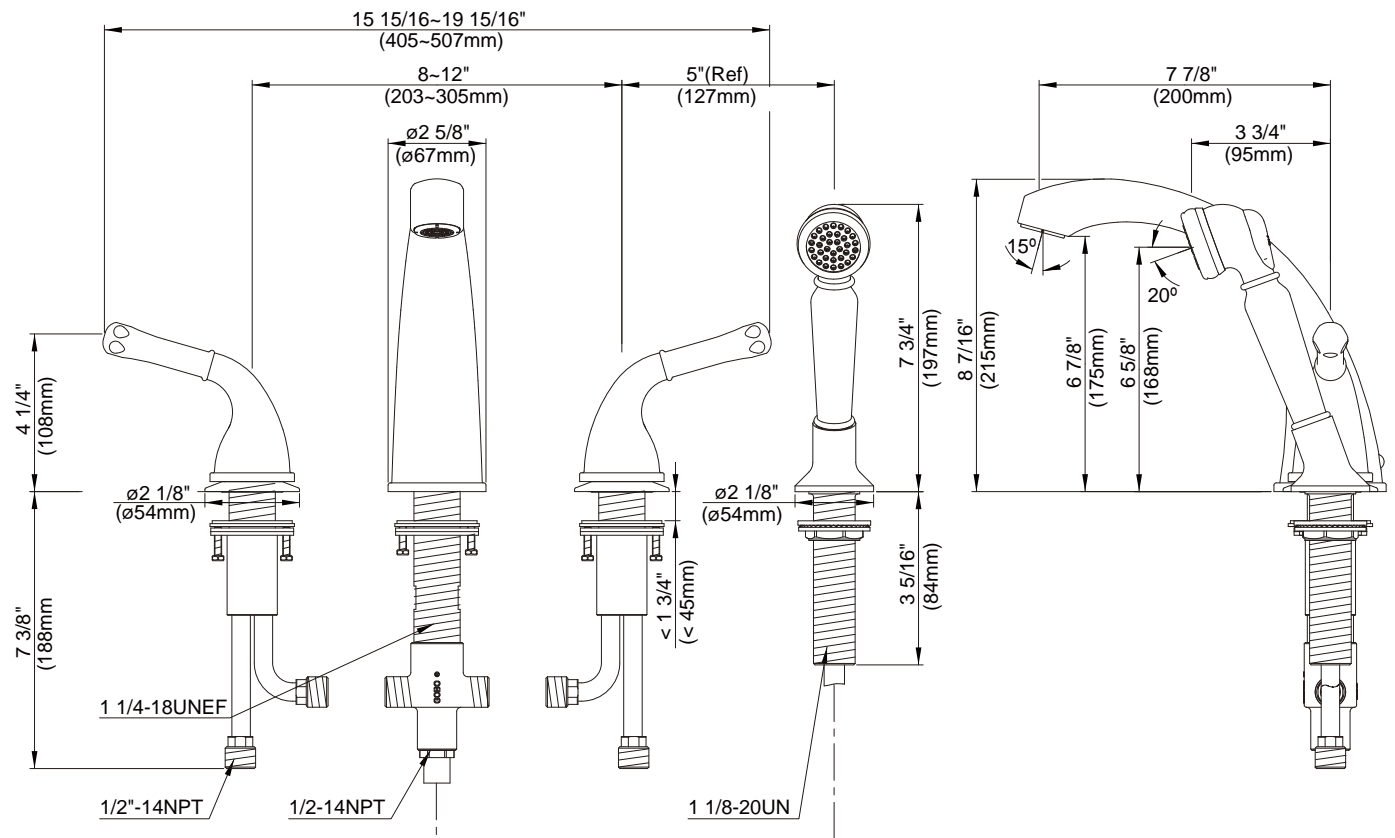
**Trim Kits:** (for use w/ rough-in valves)  
D301571T (w/o Personal Shower)

#### Special Packaging

- This product also available with valve packaged separate from trim.
- Use with rough-in valve:  
D210000BT (10" CC fixed) OR  
D215000BT (widespread)
- Valves are combination 1/2" copper sweat, 1/2" NPT threaded connectors for all ports

#### Warranty

Danze products are covered by a manufacturer's limited "lifetime" warranty for manufacturing defects.



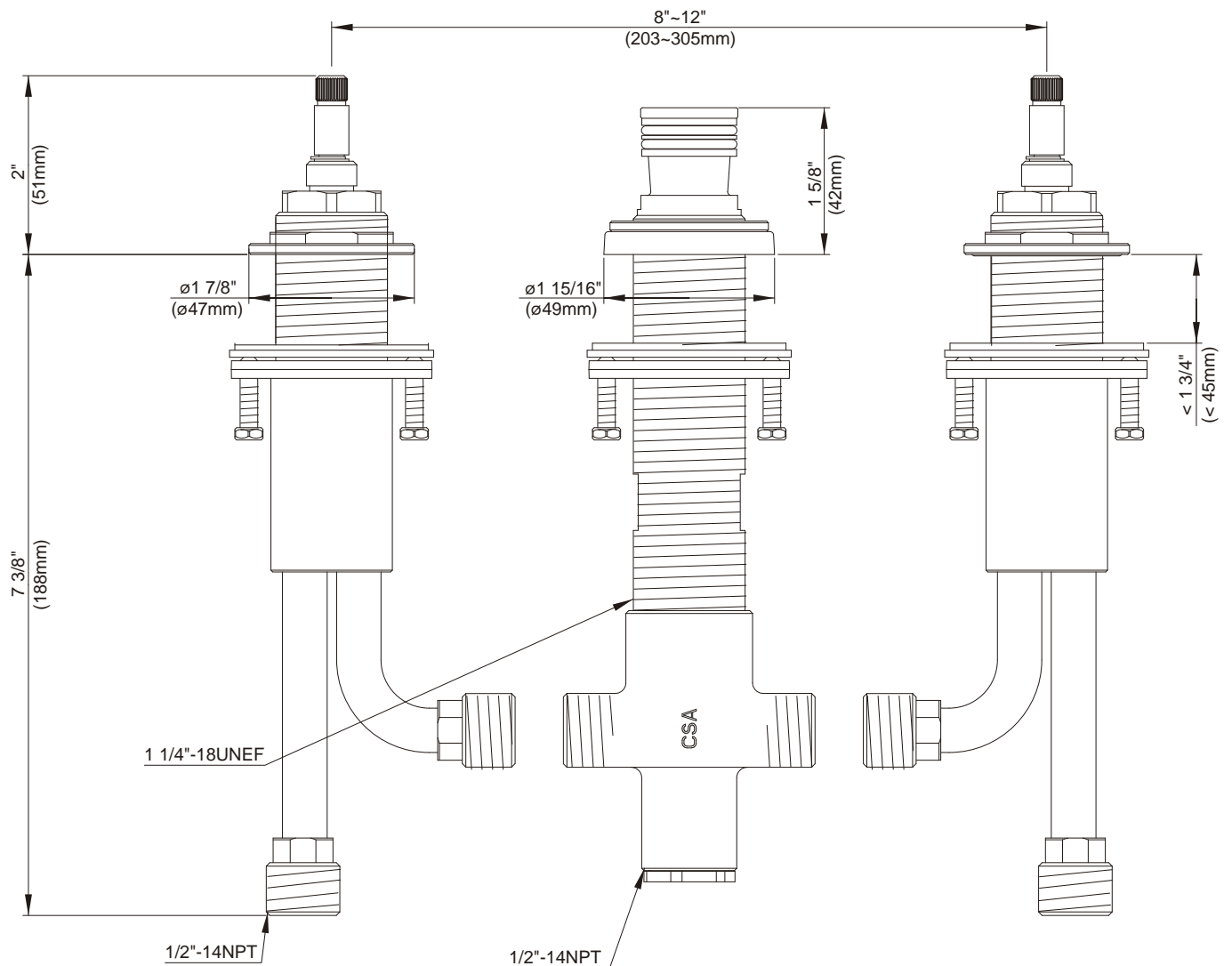
\* Danze Soft Touch Personal Shower™ is designed to operate only when the button is pressed; water will flow to the spout whenever pressure is released from the button.

Specific Features: \_\_\_\_\_ Submitted Model No.: \_\_\_\_\_

SD301771/06-08.02

### ROMAN TUB FAUCET ROUGH-IN VALVES-CRITICAL DIMENSIONS

Rough-in valve D215000BT (widespread)



\* Installation method shown is for deck thickness of less than 1-3/4".  
If the installation is for deck thickness between 1-3/4" and 3-1/2",  
the sleeve nut needs to be reversed.

Specific Features: \_\_\_\_\_ Submitted Model No.: \_\_\_\_\_

SD301771/06-08.02