

SPECIFICATIONS

WYNSTONE™ SINGLE HANDLE VESSEL FILLER

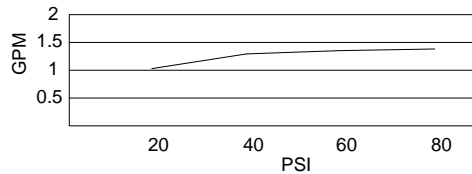
Model

D226361

Description

- Waterfall spout, 10" high spout, 5 3/4" spout length
- Ceramic disc valve
- Grid strainer drain with cover for vessels with or without overflow
- Single hole mount
- A112.18.1M, 1.5 gpm (5.7 LPM) maximum flow rate @ 60 psi

Flow Rate



Standards



- UPC/cUPC
- NSF 61-9
- Energy policy act of 1992



- ASME A112.18.1M



- Meets CA AB-1953

Less than 0.25% lead content



- ADA Accessibility Guidelines for Buildings and Facilities - 4.27.4 Controls and Mechanisms

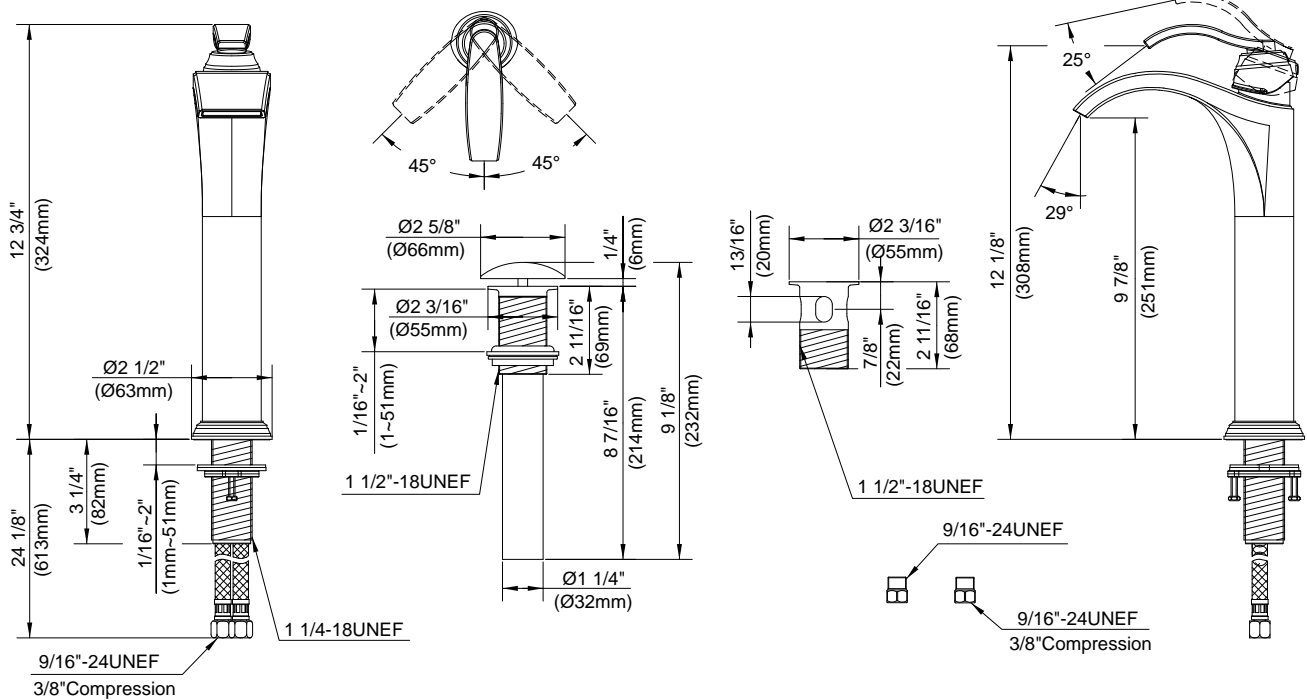


Finishes Available

- Chrome
- Other: Refer to Price List for additional finish

Warranty

Danze products are covered by a manufacturer's limited "lifetime" warranty for manufacturing defects.



Submittal Information:

Job Name: _____
 Contractor: _____

Location: _____
 Contact #: _____