

## SPECIFICATIONS

### FAIRMONT™ SINGLE HANDLE BAR & CONVENIENCE FAUCET

#### Model

D151540 (Replaces D155040 series)

#### Description

- Ceramic disc valve
- 11" high swivel spout, 5 1/2" spout length
- Single hole mount

#### Standards



- NSF 61-9
- Energy Policy Act of 1992



- ASME A112.18.1M/A112.18.1
- NSF/ANSI 372
- CSA B125.1

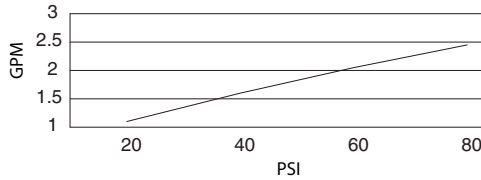


- ADA Accessibility Guidelines for Buildings and Facilities - 4.27.4 Controls and Mechanisms

#### Warranty

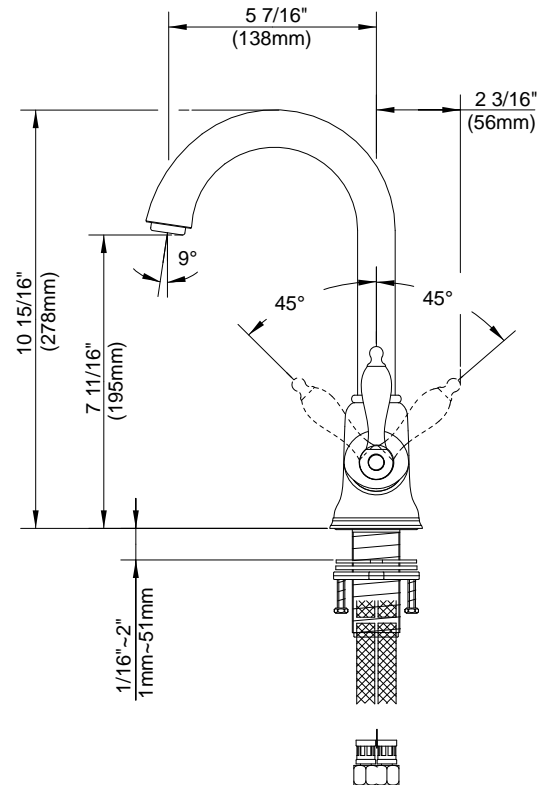
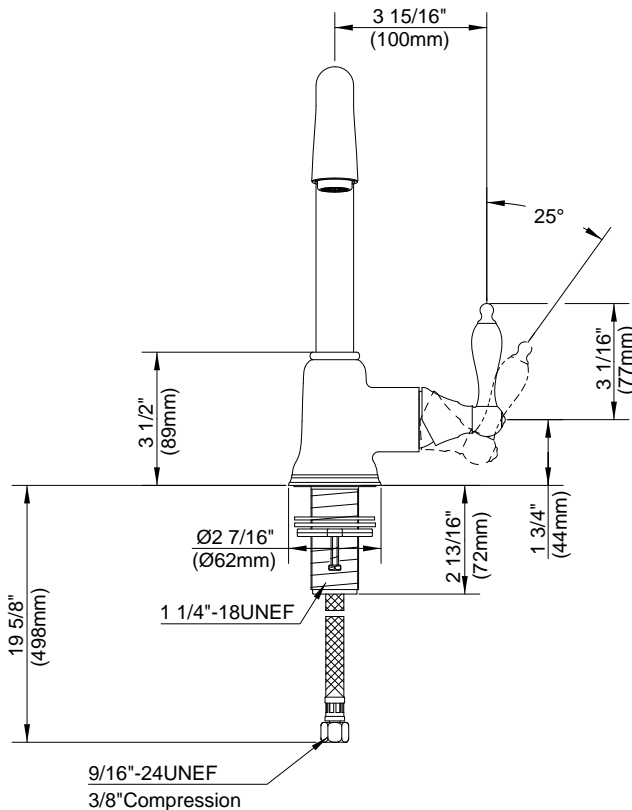
Danze products are covered by a manufacturer's limited "lifetime" warranty for manufacturing defects.

#### Flow Rate



#### Finishes Available

- Chrome
- Other: Refer to Price List for additional finish



#### Submittal Information:

Job Name: \_\_\_\_\_  
 Contractor: \_\_\_\_\_

Location: \_\_\_\_\_  
 Contact #: \_\_\_\_\_