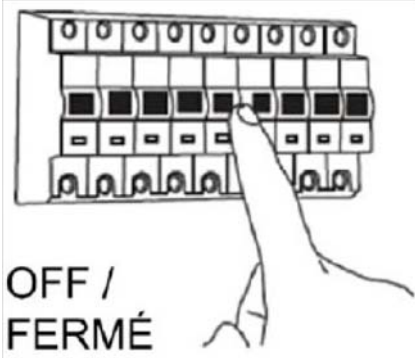


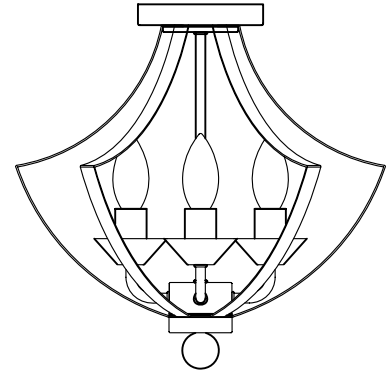
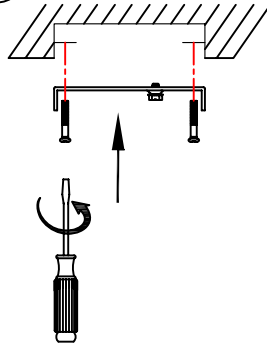


MODEL PAR-144SF-V0B/SC

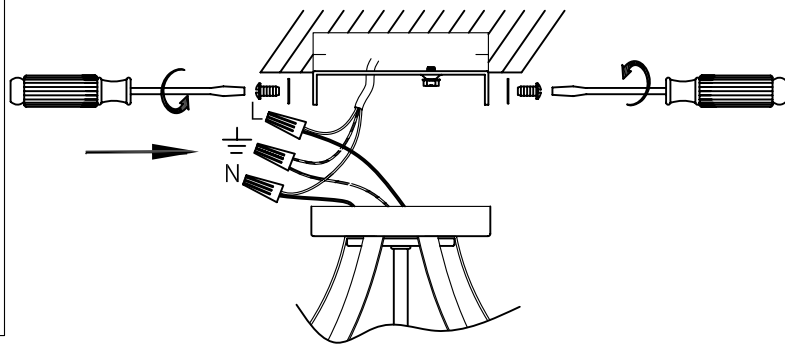
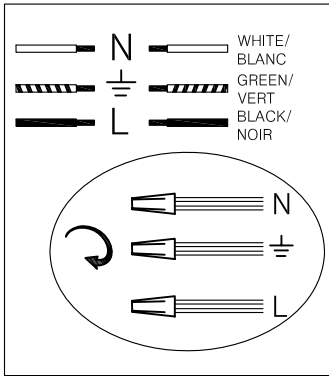
①



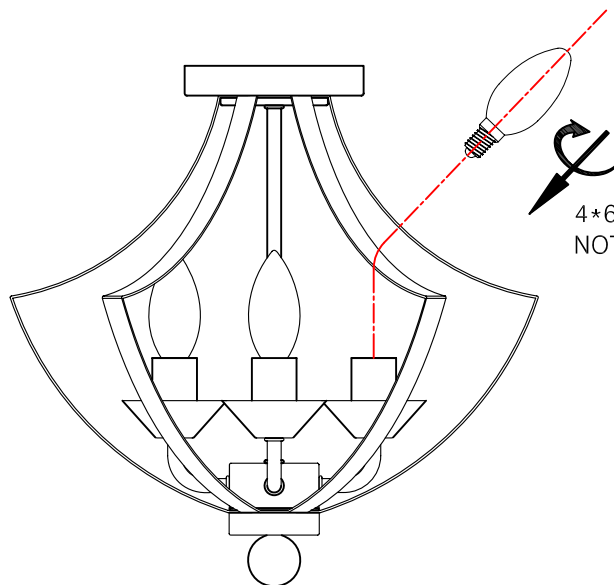
②



③



④



4*60W MAX E12
NOT INCLUDED/NOT INCLUS

1401 Courtney Park Drive East, Mississauga, Ontario, Canada L5T 2E4

Tel:(905)564-1262 Fax:(905)564-1299 Email:dainolite@dainolite.ca Web:www.dainolite.ca

Date:April/2015