



30-INCH DOUBLE WALL OVEN

DOB30P977D | TRANSITIONAL STYLE



AVAILABLE MODELS

DOB30P977DS Transitional 30" Double Wall Oven - Silver Stainless

FEATURES & BENEFITS

- Exclusive Four-Part Dual Pure Convection - heat, air, baffle and filter to precisely distribute heat for superior cooking results.
- Steam and Convection Oven - the power of steam assist and convection cooking in one.
- Large oven capacity: 5.1 / 5.1 cu. ft.
- Easy to use / refill water reservoir for steam cooking.
- 7" LCD control panel with Illumina™ knobs.
- BrightVue™ - integrated LED lights in the oven door + Halogen lights.
- SoftShut™ oven doors.
- SmartThings app with integrated Wi-Fi to control and monitor remotely.

ACCESSORIES (INCLUDED)

| | |
|---------------------------|-----------------------|
| GLIDERACK™ | 1 (UPPER) / 2 (LOWER) |
| STANDARD RACK | 2 (UPPER) / 1 (LOWER) |
| TEMPERATURE PROBE | 1 (UPPER) |
| MESH FILTER | 4 |
| AUTOMATIC WATER RESERVOIR | 1 (UPPER) |

ACCESSORIES (OPTIONAL)

| | |
|--------------------------|---------------|
| COOKIE SHEETS (SET OF 3) | SKU - ACSM303 |
|--------------------------|---------------|

GENERAL PROPERTIES

COOKING MODES
UPPER CAVITY

BAKE, BROIL, CONVECTION
BAKE, CONVECTION ROAST,
CONVECTION BROIL, STEAM
BAKE, STEAM ROAST

COOKING MODES
LOWER CAVITY

BAKE, BROIL, CONVECTION
BAKE, CONVECTION ROAST,
CONVECTION BROIL

ADDITIONAL FEATURES

| | |
|-----------------|-----------------------------------|
| CLEANING TYPE | SELF CLEAN & HYBRID CLEAN |
| CONTROLS | 7" TFT LCD + ILLUMINA™ KNOBS |
| WI FI | YES |
| RACK POSITIONS | 6 |
| CONVECTION TYPE | FOUR PART DUAL PURE CONVECTION |
| LIGHTING | BRIGHTVUE™ - LED + HALOGEN |

OVEN PERFORMANCE

| | |
|--------------------|------------------------------|
| BAKE ELEMENT | 3,000W - 8 PASS |
| BROIL ELEMENT | 4,400W - 10 PASS |
| CONVECTION ELEMENT | 1,300W (EACH - 2,600W TOTAL) |
| STEAM RESERVOIR | 650mL |

CONTROL FEATURES

| | |
|---------------|------------------|
| DELAY START | YES (BOTH OVENS) |
| KITCHEN TIMER | YES (BOTH OVENS) |
| SABBATH MODE | YES |
| CHILD LOCK | YES |

ADDITIONAL MODES

| | |
|-------------------|------------------|
| KEEP WARM | YES (BOTH OVENS) |
| HEALTHY COOK | YES (BOTH OVENS) |
| PROOF | YES (LOWER OVEN) |
| STEAM PROOF | YES (UPPER OVEN) |
| DEHYDRATE | YES (BOTH OVENS) |
| CHEF MODE | YES (BOTH OVENS) |
| INSTANTHEAT™ | YES (BOTH OVENS) |
| TEMPERATURE PROBE | YES (UPPER OVEN) |
| AUTO CONVERSION | YES |

TECHNICAL DETAILS

| | |
|---------------------|-----------|
| CIRCUIT BREAKER (A) | 50 / 40 |
| VOLTS (V) | 240 / 208 |
| FREQUENCY (HZ) | 60 |
| ENERGY SOURCE | ELECTRIC |

DIMENSIONS & WEIGHT

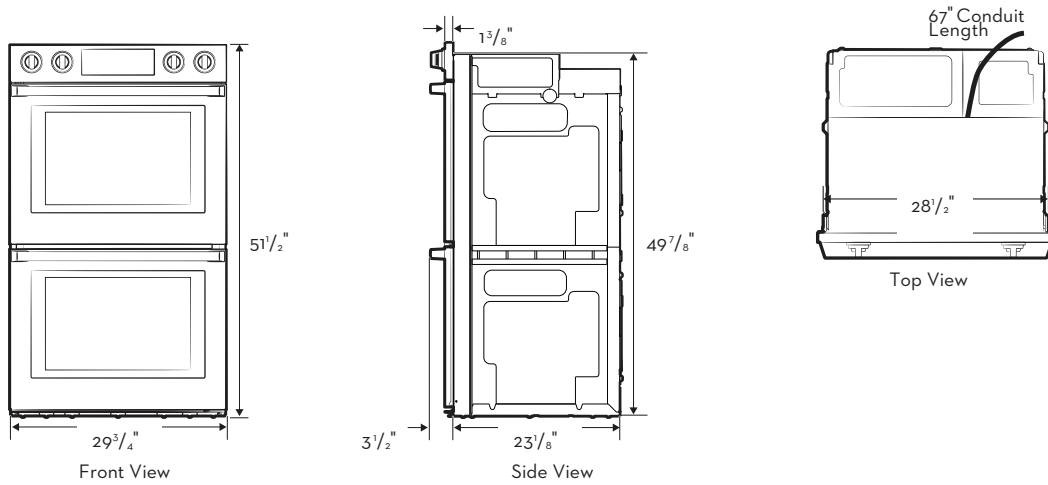
| | |
|------------------------------------------------|-----------------------------|
| APPLIANCE DIMENSIONS (W X H X D) (IN.) | 29 3/4" X 51 1/2" X 24 1/2" |
| REQUIRED CUTOUT SIZE (W X H X D) (IN.) (FLUSH) | 30 1/4" X 51 7/8" X 24 7/8" |
| OVEN CAPACITY (CUBIC FEET) | 5.1 / 5.1 |
| NET WEIGHT (LBS) | 336 |

WARRANTY

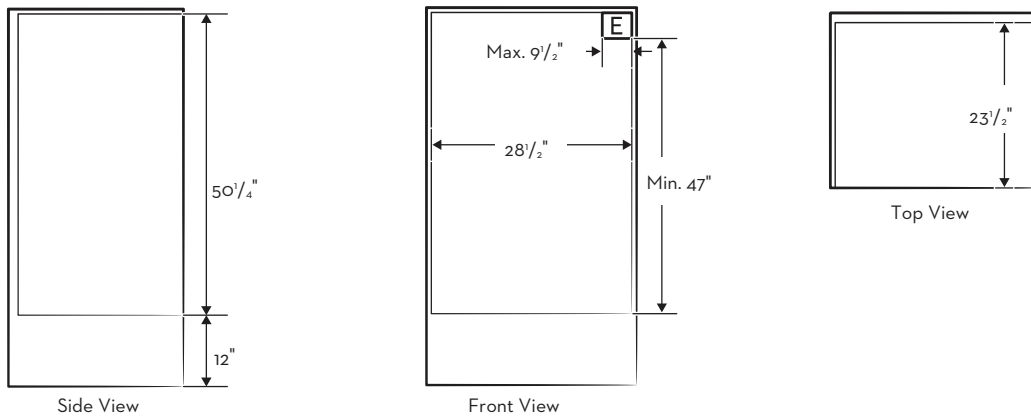
| | |
|--------------------------|---------|
| LIMITED, PARTS AND LABOR | 2 YEARS |
|--------------------------|---------|

dacor 30-INCH DOUBLE WALL OVEN

APPLIANCE DIMENSIONS



INSTALLATION CUTOUT DIMENSIONS (STANDARD)



INSTALLATION CUTOUT DIMENSIONS (FLUSH)

