



A Division of Troy-CSL Lighting, Inc.

ARCHITECTURAL

Project _____

Fixture Type _____

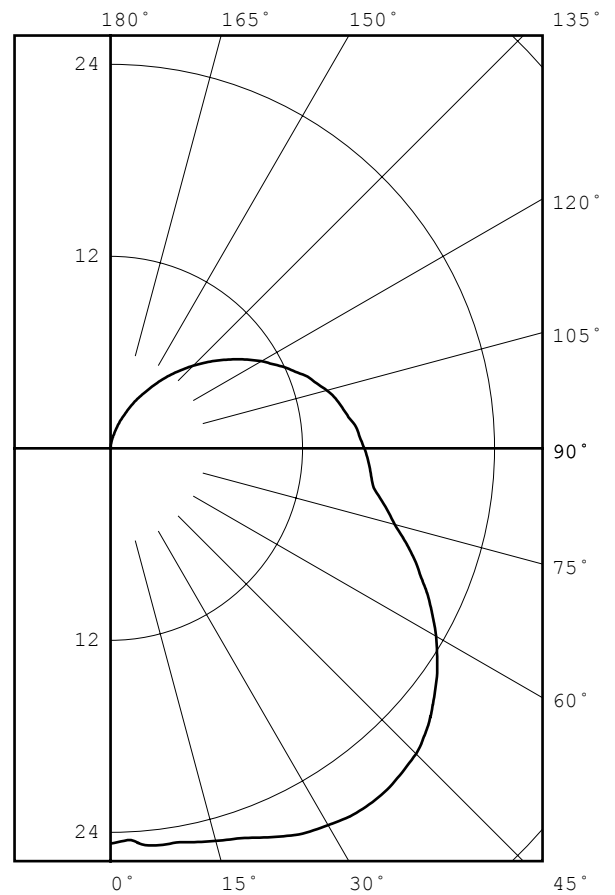
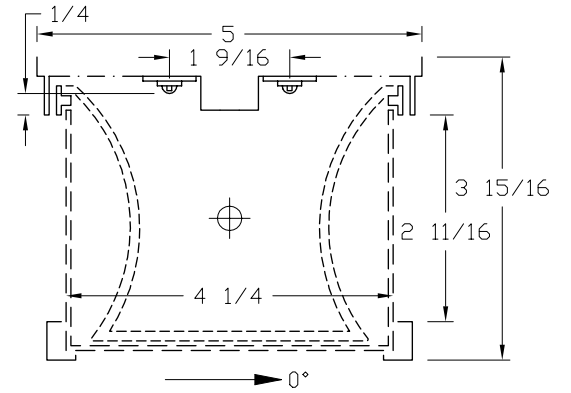
GRAVITY LED SS1012

DEG	CANDELA	LUMENS
0	24.7	
5	24.9	2.4
15	25.4	7.2
25	26.7	12.4
35	27.5	17.2
45	27.0	20.8
55	24.9	22.3
65	21.9	21.7
75	18.4	19.6
85	16.3	17.8
90	15.9	
95	15.4	16.7
105	14.0	14.8
115	12.0	11.9
125	9.7	8.7
135	7.3	5.7
145	4.9	3.1
155	2.8	1.3
165	1.1	0.3
175	0.1	0.0
180	0.0	

ZONAL ZONE	LUMEN LUMENS	SUMMARY %FIXT
0- 30	21.9	10.8
0- 40	39.2	19.2
0- 60	82.3	40.4
0- 90	141.3	69.3
90-120	43.3	21.3
90-130	52.0	25.5
90-150	60.8	29.8
90-180	62.5	30.7
0-180	203.8	100.0

LUMINANCE DATA IN CANDELA/SQ M

ANGLE IN DEG	AVERAGE
45	2311.
55	2206.
65	2077.
75	1940.
85	2003.





A Division of Troy-CSL Lighting, Inc.

ARCHITECTURAL

Project _____

Fixture Type _____

GRAVITY LED SS1012

CANDELA DISTRIBUTION

0.0	0.0
0.0	24.7
5.0	24.9
10.0	25.0
15.0	25.4
20.0	25.9
25.0	26.7
30.0	27.2
35.0	27.5
40.0	27.4
45.0	27.0
50.0	26.1
55.0	24.9
60.0	23.5
65.0	21.9
70.0	20.2
75.0	18.4
80.0	17.0
85.0	16.3
90.0	15.9
95.0	15.4
100.0	14.7
105.0	14.0
110.0	13.1
115.0	12.0
120.0	10.9
125.0	9.7
130.0	8.5
135.0	7.3
140.0	6.1
145.0	4.9
150.0	3.8
155.0	2.8
160.0	1.9
165.0	1.1
170.0	0.6
175.0	0.1
180.0	0.0

ZONAL LUMEN SUMMARY

0- 5	1.
5- 10	2.
10- 15	3.
15- 20	4.
20- 25	6.
25- 30	7.
30- 35	8.
35- 40	9.
40- 45	10.
45- 50	11.
50- 55	11.
55- 60	11.
60- 65	11.
65- 70	11.
70- 75	10.
75- 80	9.
80- 85	9.
85- 90	9.
90- 95	9.
95-100	8.
100-105	8.
105-110	7.
110-115	6.
115-120	6.
120-125	5.
125-130	4.
130-135	3.
135-140	2.
140-145	2.
145-150	1.
150-155	1.
155-160	0.
160-165	0.
165-170	0.
170-175	0.
175-180	0.

RC	80				70				50			30			10			0
	70	50	30	10	70	50	30	10	50	30	10	50	30	10	50	30	10	
0	112	112	112	112	106	106	106	106	94	94	94	83	83	83	74	74	74	69
1	98	92	86	81	92	86	81	77	76	72	68	67	64	61	58	56	54	49
2	87	77	69	62	82	73	66	59	64	58	53	56	52	47	49	45	42	38
3	79	67	57	50	73	63	54	48	55	48	43	48	43	38	42	37	34	30
4	71	58	48	41	66	55	46	39	48	41	35	42	36	31	37	32	28	24
5	65	51	42	34	61	48	39	33	43	35	30	37	31	26	32	27	23	20
6	60	46	36	29	56	43	34	28	38	31	25	33	27	23	29	24	20	17
7	55	41	32	25	51	39	30	24	34	27	22	30	24	20	26	21	17	15
8	51	37	28	22	48	35	27	21	31	24	19	27	21	17	24	19	15	13
9	47	34	25	19	44	32	24	19	28	22	17	25	19	15	22	17	14	11
10	44	31	23	17	41	29	22	16	26	19	15	23	17	14	20	16	12	10