

## Low Voltage Recess Lighting

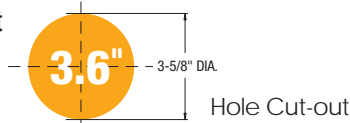
### Catalog Number

**2642** White / Clear Reflector

**2648** Br. Nickel / Clear Reflector

#### • Ceiling Cut-out

3 5/8" dia



#### • Lamp

Maximum 35W, 50W or 75W 12V MR16 bi-pin  
(lamp not included)

Maximum 50W 120V PAR 20 (PAR 20 lamp requires DXPRAR or DXRPAR)

#### • Construction

Die Cast A380 Aluminum Trim  
Aluminum Reflector  
Spring Steel mounting clips  
Socket Ceramic bi-pin socket (supplied with housing)

#### • Listings

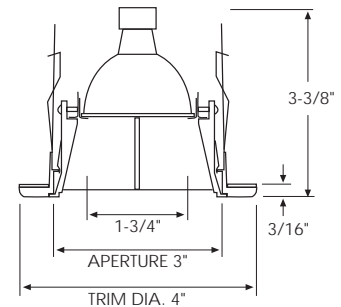
UL 1598 listed



© Design copyright



Crossblad Reflector Fixed  
Downlight Trim



#### • Housings



3.6 New Construction Housing

DX Integral Magnetic Transformer  
120V/11.6V, 35W-50W max. MR16 bi-pin

DX277 Integral Magnetic Transformer  
277V/11.6V, max. 50W MR16 bi-pin

DX75 Integral Magnetic Transformer  
120V/11.6V, max. 75W MR16 bi-pin

DXPAR 120V, max 50W, PAR 20, med base  
No transformer included



3.6 Remodel Housing

DXR Integral Magnetic Transformer  
120V/11.6V, max. 50W MR16 bi-pin

DXR277 Integral Magnetic Transformer  
277V/11.6V, max. 50W MR16 bi-pin

DXR35 Integral Magnetic Transformer  
120V/11.6V, max. 35W MR16 bi-pin

DXRPAR 120V, max 50W, PAR 20, med base  
No transformer included



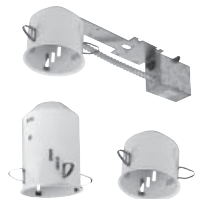
3.6 Insulated Ceiling Housing

DXIC Integral Electronic Transformer  
120V/11.6V, max. 50W MR16 bi-pin

DXIC-AT Air Tight Integral Electronic  
Transformer  
120V/11.6V, max. 50W MR16 bi-pin

DXICM Integral Magnetic Transformer  
120V/11.6V, max. 50W MR16 bi-pin

DXICM-AT Air Tight Integral Magnetic  
Transformer  
120V/11.6V, max. 50W MR16 bi-pin



3.6 Remote Transformer Housing

TCJ Tall Can w/J-Box & Thermal Protector  
120V/11.6V, max. 50W MR16 bi-pin

SCJ Short Can w/J-Box & Thermal Protector  
120V/11.6V, max. 35W MR16 bi-pin

TC Tall Can  
120V/11.6V, max. 50W MR16 bi-pin

SC Short Can  
120V/11.6V, max. 35W MR16 bi-pin

#### Trim

- 2642 White / Clear Reflector  
 2648 Br. Nickel / Clear Reflector

#### Housings

- |                                 |                                   |
|---------------------------------|-----------------------------------|
| <input type="checkbox"/> DX     | <input type="checkbox"/> DXIC-AT  |
| <input type="checkbox"/> DX277  | <input type="checkbox"/> DXICM    |
| <input type="checkbox"/> DX75   | <input type="checkbox"/> DXICM-AT |
| <input type="checkbox"/> DXR    | <input type="checkbox"/> TCJ      |
| <input type="checkbox"/> DXR277 | <input type="checkbox"/> SCJ      |
| <input type="checkbox"/> DXR35  | <input type="checkbox"/> TC       |
| <input type="checkbox"/> DXIC   | <input type="checkbox"/> SC       |

#### MR Optical Accessories

- |                               |                               |
|-------------------------------|-------------------------------|
| <input type="checkbox"/> 0-14 | <input type="checkbox"/> 0-31 |
| <input type="checkbox"/> 0-15 | <input type="checkbox"/> 0-34 |
| <input type="checkbox"/> 0-16 |                               |
| <input type="checkbox"/> 0-17 |                               |
| <input type="checkbox"/> 0-18 |                               |
| <input type="checkbox"/> 0-13 |                               |
| <input type="checkbox"/> 0-30 |                               |

#### Lamp