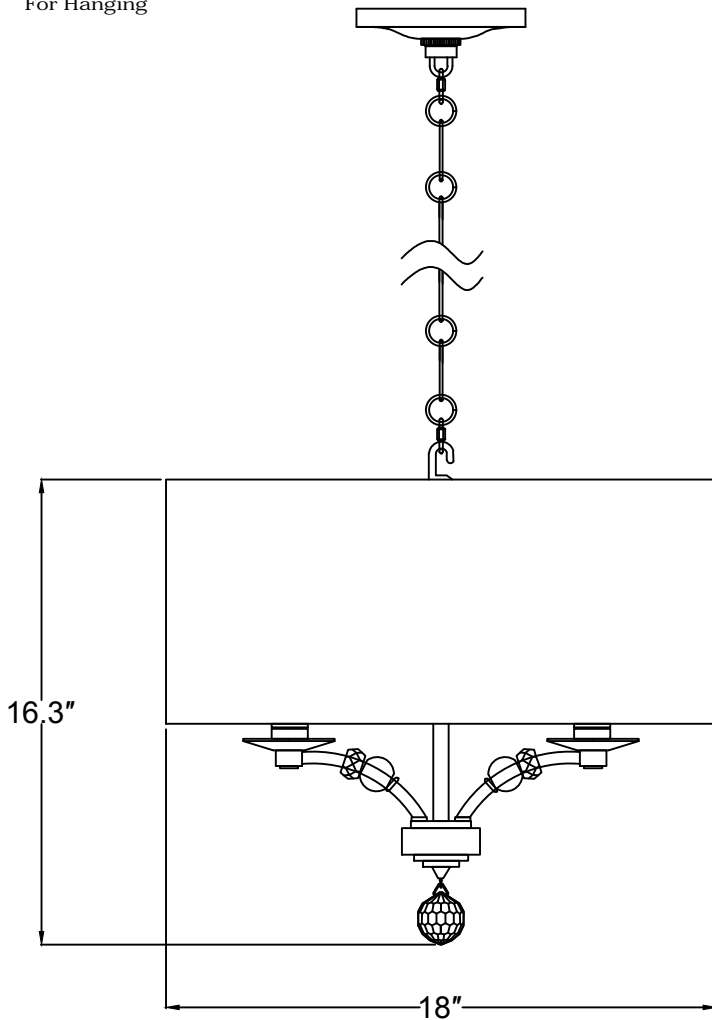


CRYSTORAMA

LIGHTING THE WAY FOR SIXTY YEARS

ASSEMBLY INSTRUCTION MODEL #8005-PN

For Hanging



WARNING:

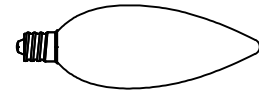


Electrical Danger



Turn Power Off

All electrical components must be installed by a licensed electrician in accordance with the National Electric Code and the appropriate local electrical codes.



You will need 3-Cand.BULB
60 watts Max Bulb not included
USE LED BULBS FOR EXTENDED USE

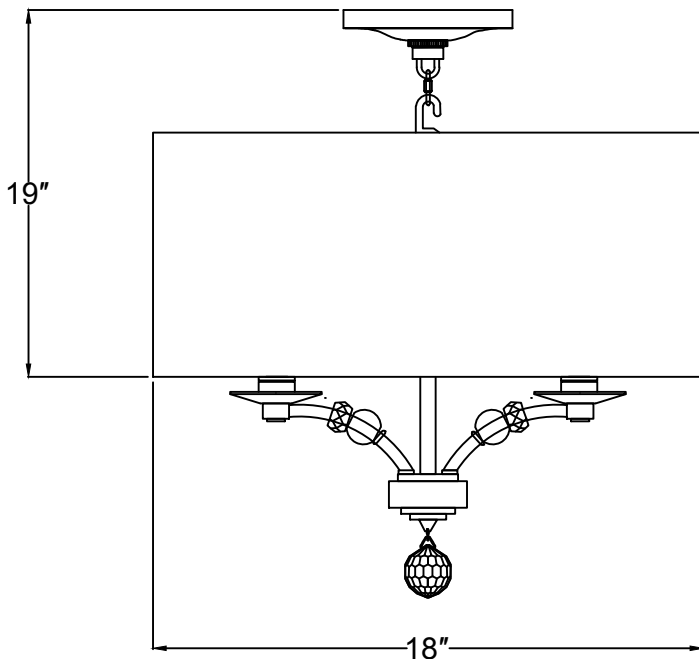
How to Install

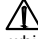
1. Insert the shade spoke in between top and bottom knurled nut.
2. Secure the shade by twisting the top knurled nut.
3. Install the recommended bulbs (not included) into each socket.
4. Screw the big crystal ball into the bottom box.

For Semi-flush

1. Hook the canopy onto the loop on top of the fixture.
2. Raise the fixture up to the ceiling and connect the wires.
3. Secure the canopy onto the outlet box by ball nuts.

For Ceiling



 **WARNING:** This product can expose you to Lead, which is known to the State of California to cause cancer and/or birth defects or reproductive harm. For more information go to www.P65Warnings.ca.gov

CRYSTORAMA

LIGHTING THE WAY FOR SIXTY YEARS

PART NUMBER MODEL #8005-PN

Part Number

Part Numbers

- A. Mounting Hardware
- (1) Mounting Plate
- (2) Canopy Screws
- (2) Anchors
- B. (1) Canopy; $\varnothing 5.5" \times 0.98" h$; XMO8005PNCAN5.5IN
- C. (1) Screw Collar Loop
- D. (2) Quick Link
- E. (1) Chain; $72" L \times \varnothing 4.0 mm T$; XMO8005PNCHA4MM
- F. (1) Fixture Loop
- G. (2) Knurled Nut
- H. (1) Fabric Shade; $18" \times 18" \times 8" h$; XMO8005PNSHA18IN
- I. (3) Socket
- J. (3) Arm; $\varnothing 0.39"$
- K. (2) Crystal; 2 in each arm
- L. (1) Crystal Ball; $\varnothing 1.5"$; XMO8005PNCRYBALL

