

CRYST RAMA



1958

95 Cantiague Rock Road, Westbury NY 11590

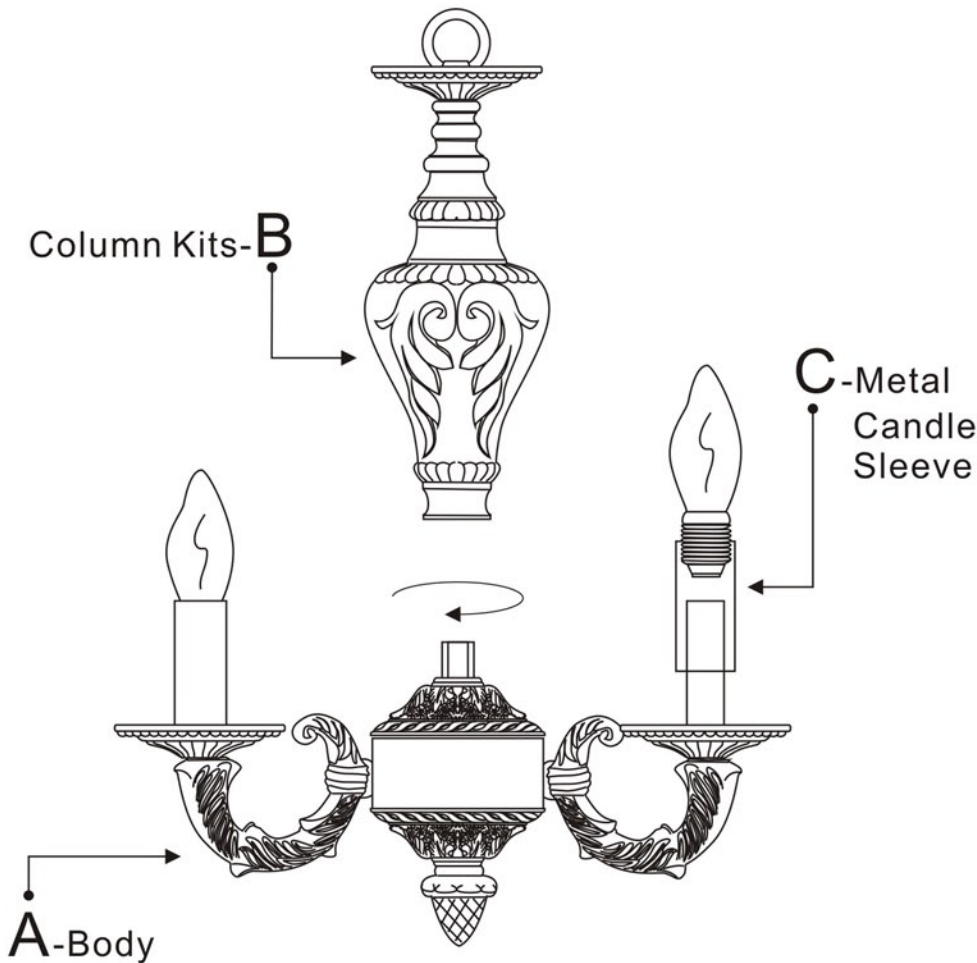
ph:516.931.9090 fax: 516. 931.1254

info@crystorama.com www.crystorama.com

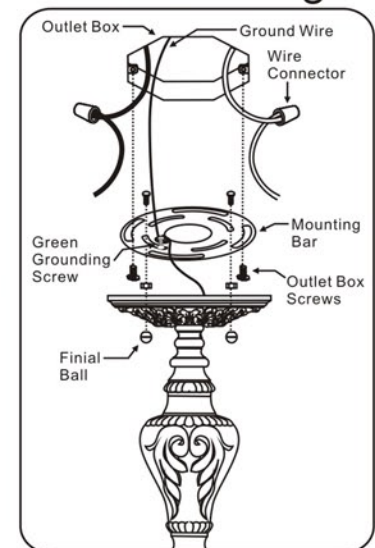
MODEL#:5124 ASSEMBLY INSTRUCTION



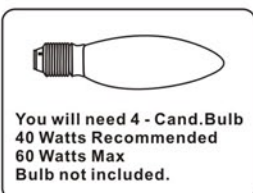
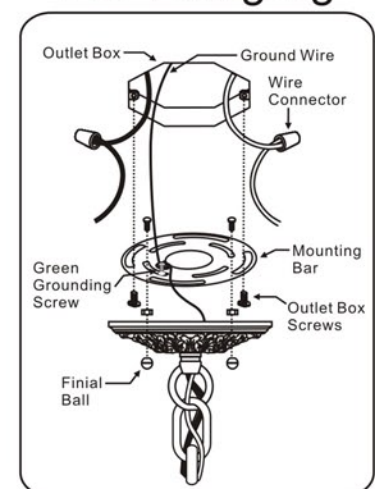
All electrical components must be installed by a licensed electrician in accordance with the National Electric Code and the appropriate local electrical codes.



For Ceilinging



For Hanging



ASSEMBLY STEPS:

1) B → A

2) C → A