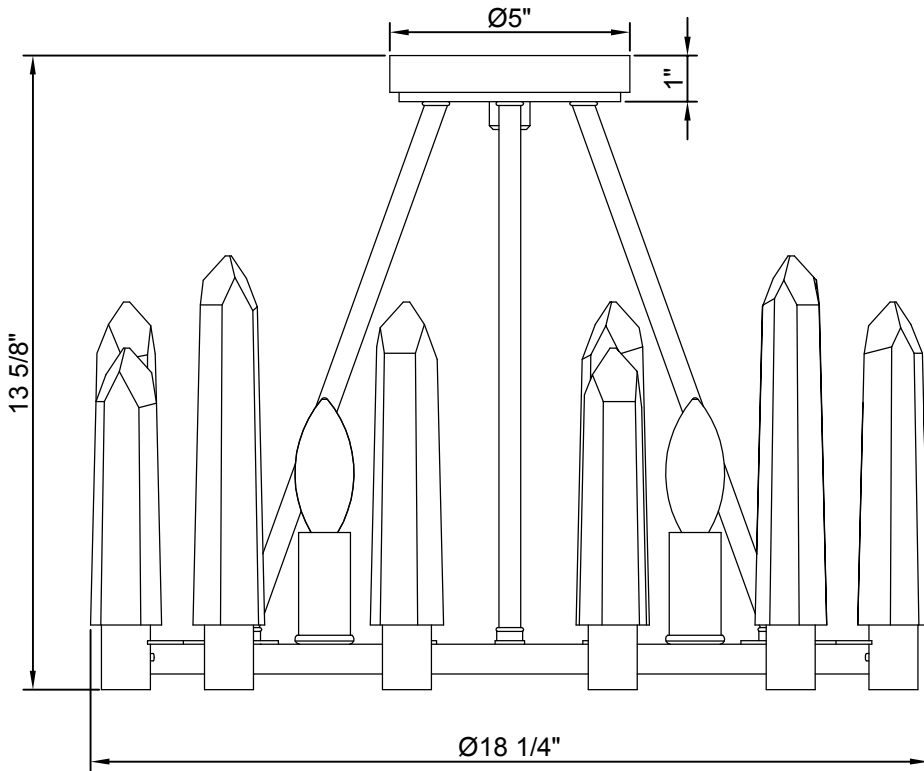


# CRYSTORAMA

LIGHTING THE WAY FOR SIXTY YEARS

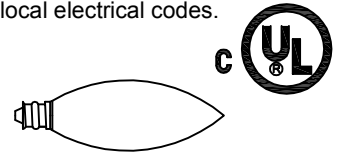
## ASSEMBLY INSTRUCTION MODEL #WAT-B2004-PN



**WARNING:**

Electrical Danger      Turn Power Off

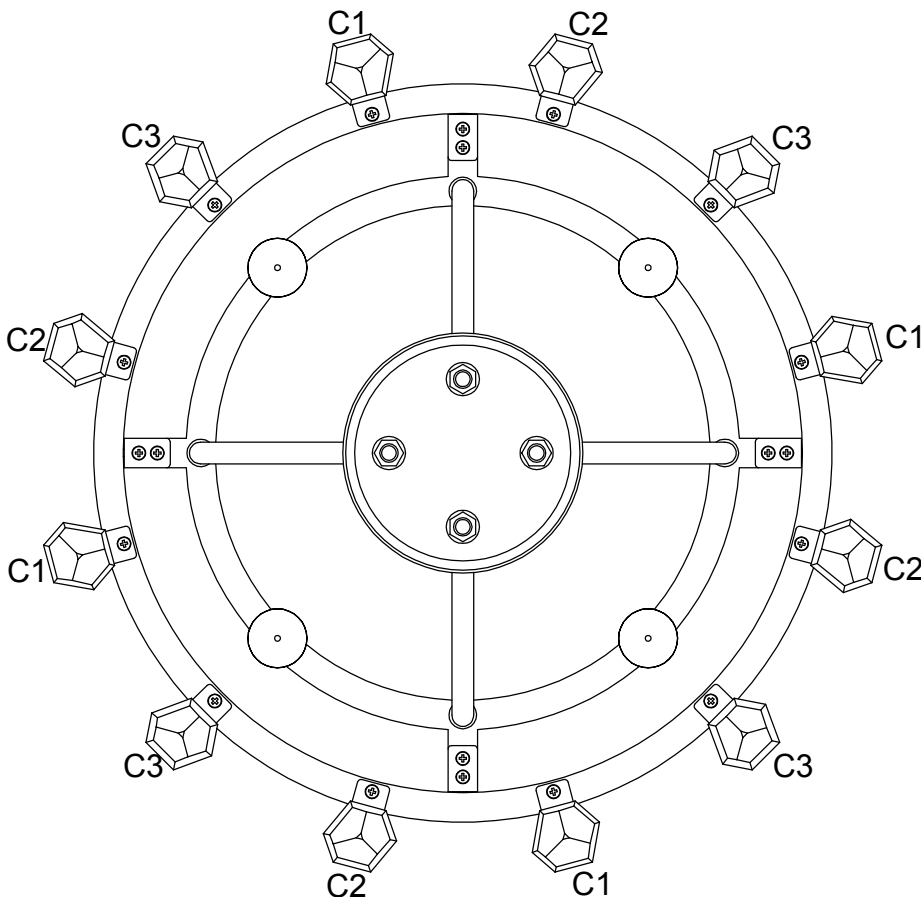
All electrical components must be installed by a licensed electrician in accordance with the National Electric Code and the appropriate local electrical codes.



You will need 4 - Candleabra Bulb  
40 Watts Recommended 60 Watts Max.  
USE LED BULBS FOR EXTENDED USE

### How to Install

1. Attach mounting plate to the outlet box using box screws.
2. Connect the fixture wires to the supply wires.
3. Mount the fixture to the outlet box with ball nuts.
4. Carefully insert the crystal bars into the cup holder as per illustration below. (A magnet is glued onto bottom of crystal bar to make tight contact with the cup holder)
5. Install the bulb (Not included) in accordance with the fixture's specifications. (DO NOT EXCEED THE MAXIMUM WATTAGE RATING!)

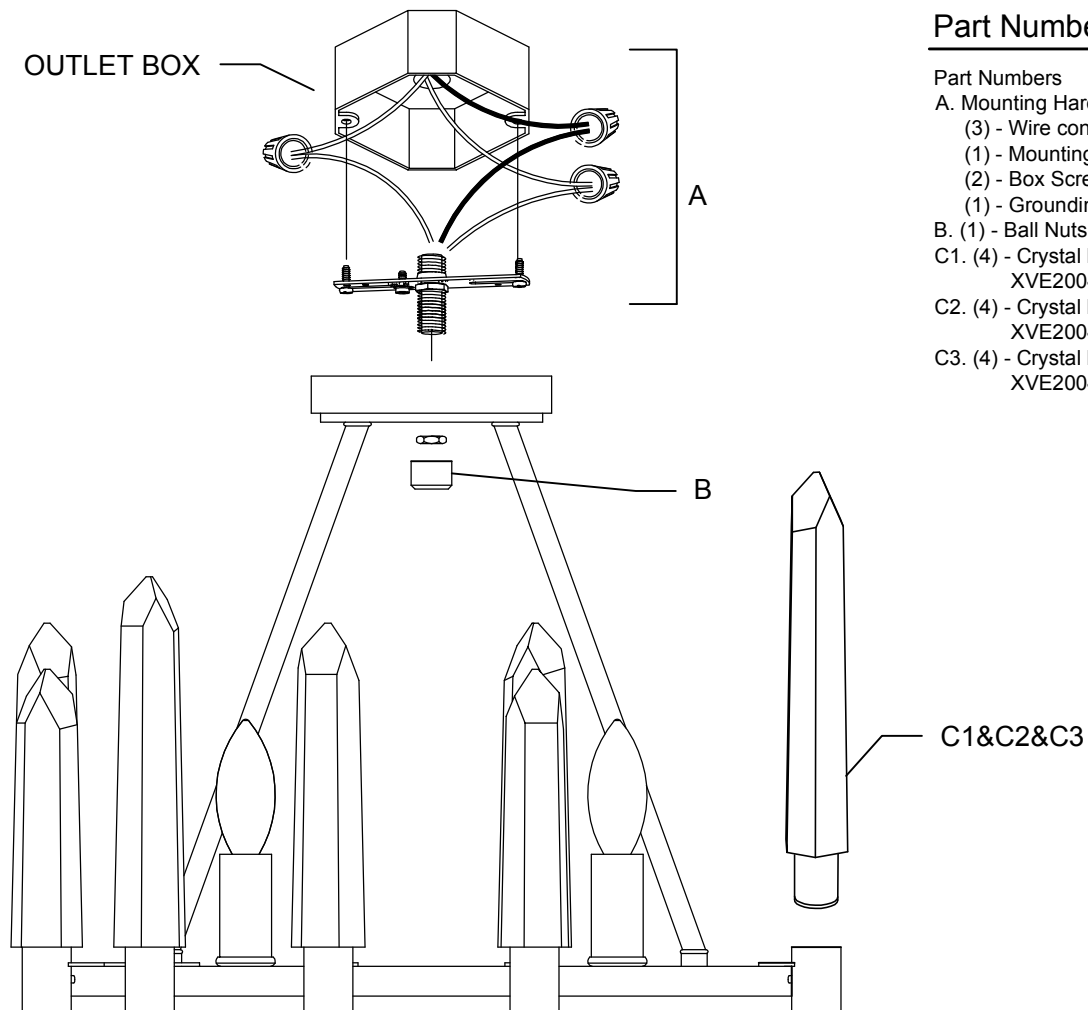


**WARNING:** This product can expose you to Lead, which is known to the State of California to cause cancer and/or birth defects or reproductive harm. For more information go to [www.P65Warnings.ca.gov](http://www.P65Warnings.ca.gov)

# CRYSTORAMA

LIGHTING THE WAY FOR SIXTY YEARS

PART NUMBER MODEL #WAT-B2004-PN



## Part Number

### Part Numbers

A. Mounting Hardware

(3) - Wire connector

(1) - Mounting Plate

(2) - Box Screws

(1) - Grounding Screw

B. (1) - Ball Nuts; XVE2004PNBANUT

C1. (4) - Crystal bar; 185mm;

XVE2004CRY185MM

C2. (4) - Crystal bar; 210mm;

XVE2004CRY210MM

C3. (4) - Crystal bar; 235mm;

XVE2004CRY235MM