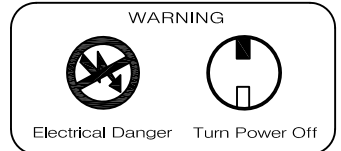


CRYSTORAMA

95 Cantiague Rock Road, Westbury NY 11590 | P:800.888.4470 | F:516.931.1254 | info@crystorama.com | CRYSTORAMA.com

MODEL#: DUM9801GE
ASSEMBLY AND DRESSING INSTRUCTIONS



IMPORTANT

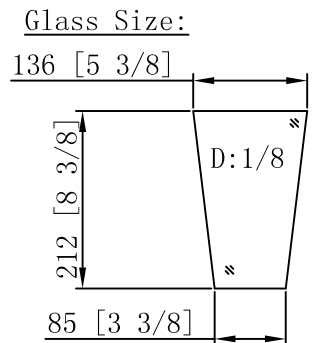
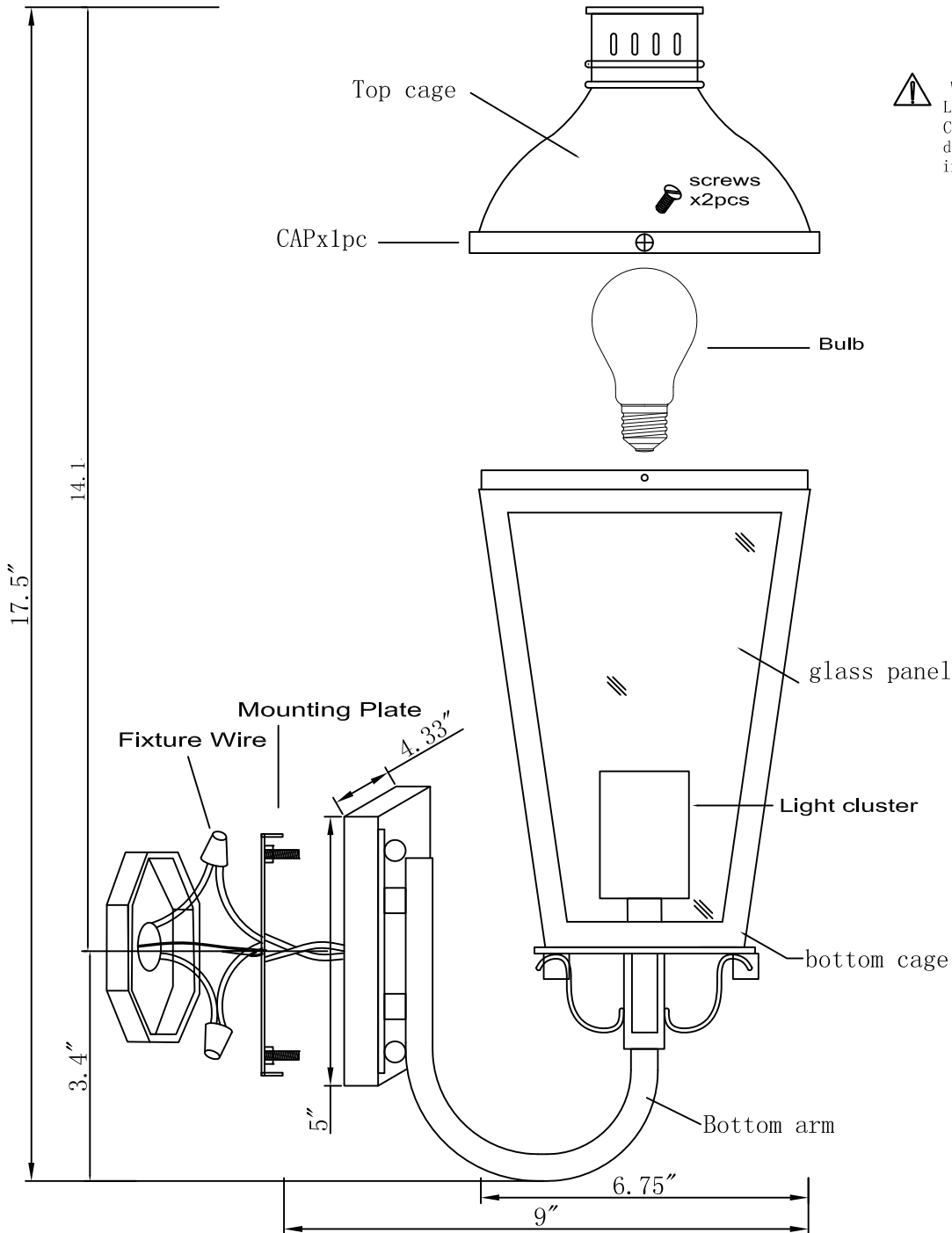
TURN OFF THE POWER AT THE MAIN FUSE OR CIRCUIT BREAKER BOX BEFORE STARTING INSTALLATION

WARNING: This product can expose you to Lead, which is known to the State of California to cause cancer and/or birth defects or reproductive harm. For more information go to www.P65Warnings.ca.gov

You will need 1-med.BULBS
 60 watts Max
 Bulbs not included
 USE LED BULBS FOR EXTENDED USE



How to change bulb
 1.Remove the 3pcs of screws on top cage.



After securing fixture to wall, it is recommended that the gap between the wall and backplate be sealed on top and both sides with a good quality waterproof caulk or silicone sealant (not included)

DUM9801GE Assembly of glass:

the cage should be taken off by removing the bottom four screws for easy replacement of glass panel If any breakage:

Glass Size:

136 [5 3/8]

