

CRYSTORAMA

95 Cantiague Rock Road , Westbury, NY 11590 • toll free: 1.800.888.4470 fax: 516.931 .1254 • info@crystorama.com • www.crystorama.com



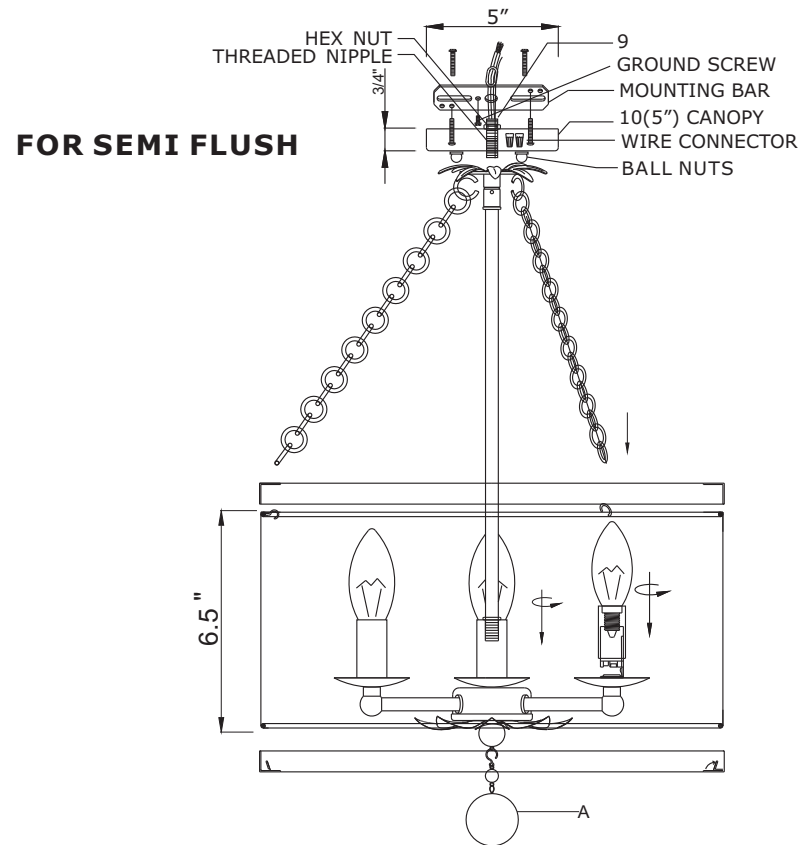
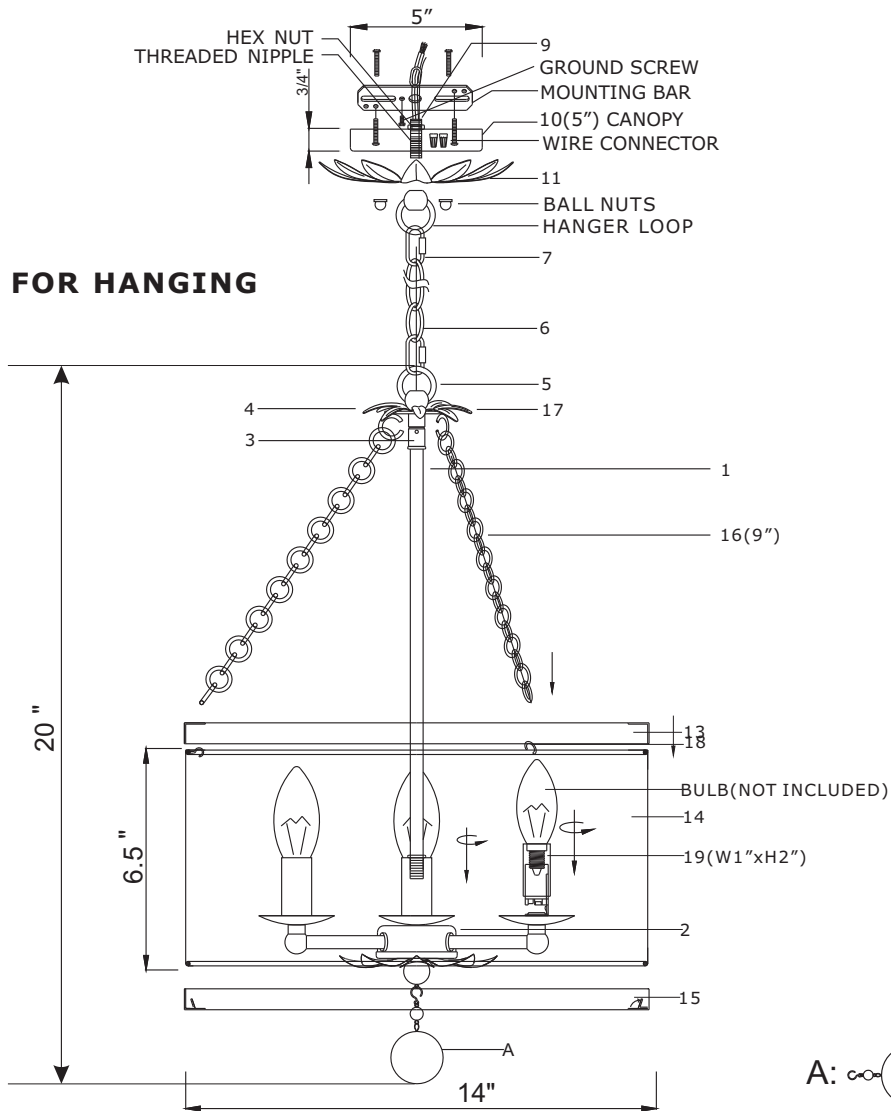
MODEL#: 513-GA ASSEMBLY AND DRESSING INSTRUCTIONS



You will need 3 Candelabra bulbs.40 Watts recommended
60 Watts max.Bulb not included.
USE LED FOR EXTENDED USE

⚠ WARNING: This product can expose you to Lead, which is known to the State of California to cause cancer and/or birth defects or reproductive harm. For more information go to www.P65Warnings.ca.gov

All electrical components must be installed by a licensed electrician in accordance with the National Electric Code and the appropriate local electrical codes



Assembly Instructions:

- 1) Pass wire through center rod [1] and screw it into cluster [2]. Then through swivel [3], top leaf assembly [4], fixture loop [5], chain [6], last screw [3] into [1].
- 2) Open the quick link [7], circled [6] and fixture loop [8] together.
- 3) Screw the threaded pipe [9] from the canopy [10] inside through the [10] and two decorative metal leaves [11], into [8]. Then pass wire from [6] to [9].
- 4) Put over the metal band ring [13] on the top of the shade [14], open the clip in the [15] to hold the bottom of [14].
- 5) Take one of the decorative chains [16], the top hanging the hook [17], the bottom hanging hook [18]. The same is true for the other two [16].
- 6) Put the candle sleeve [19] into the socket, Insert recommended bulb (not applied).
- 7) Hang the metal ball "A" under the [2].