

# CRYSTORAMA

1958

95 Cantiague Rock Road, Westbury, NY 11590 • toll free: 1.800.888.4470 fax: 516.931.1254 • info@crystorama.com • www.crystorama.com

## MODEL #: 293-DB ASSEMBLY AND DRESSING INSTRUCTIONS

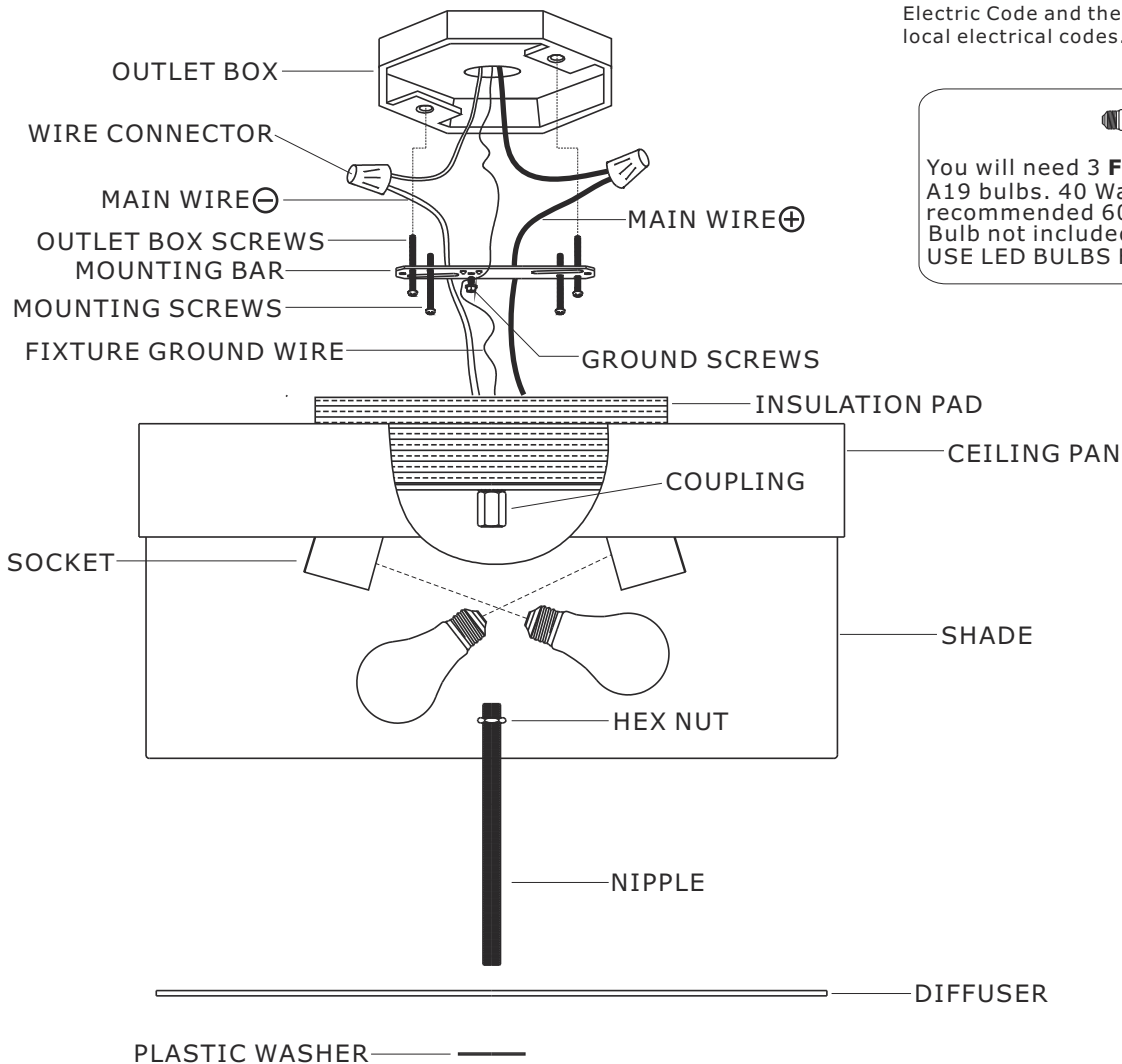


**⚠ WARNING:** This product can expose you to Lead which is known to the state of California to cause cancer and/or birth defects or reproductive harm. For more information go to [www.P65Warnings.ca.gov](http://www.P65Warnings.ca.gov)

All electrical components must be installed by a licensed electrician in accordance with the National Electric Code and the appropriate local electrical codes.

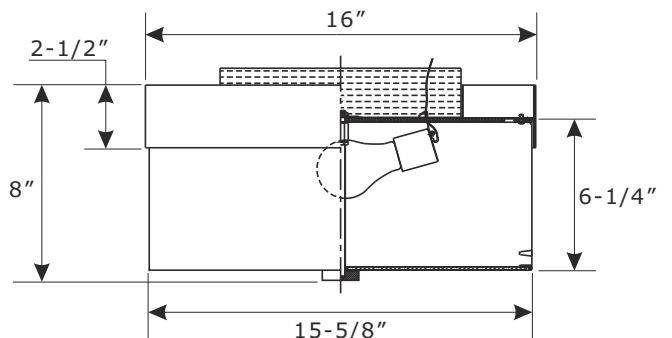


You will need 3 **Frosted Medium A19** bulbs. 40 Watts recommended 60 Watts max. Bulb not included.  
**USE LED BULBS FOR EXTENDED USE**



PLASTIC WASHER ———

FINIAL ———



### HOW TO REPLACE BULB:

REMOVE BOTTOM FINIAL AND DIFFUSER TO REPLACE PREVIOUS BULB W / NEW BULB.

2018-08