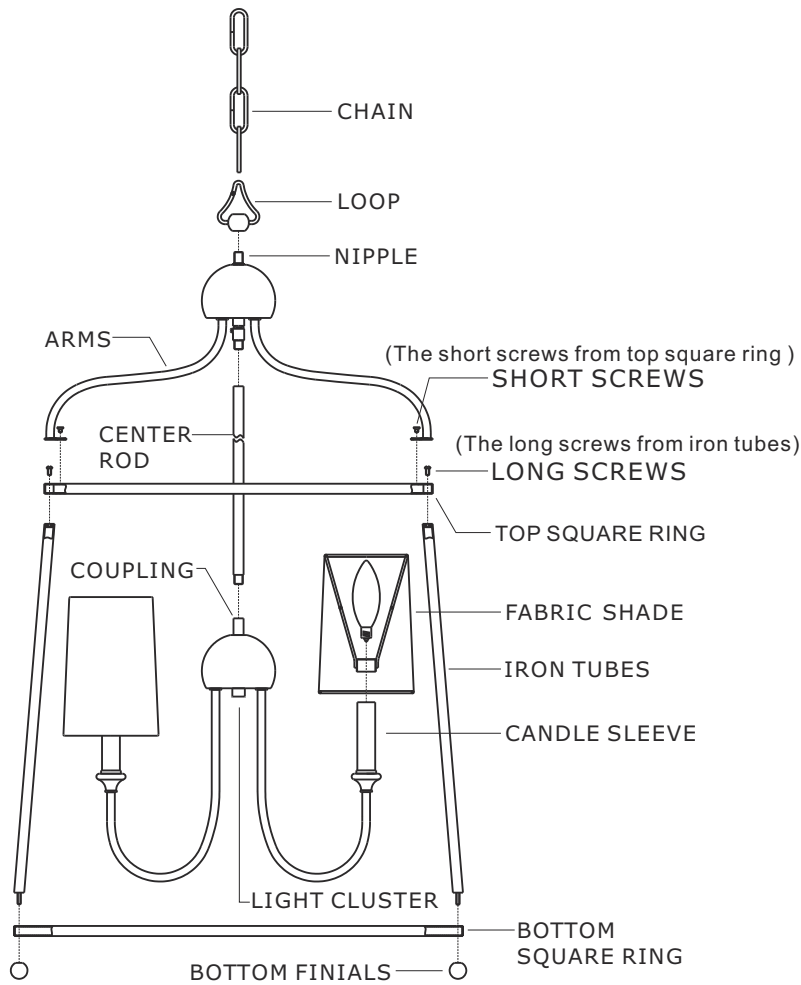


# CRYSTORAMA

LIGHTING THE WAY FOR SIXTY YEARS

ASSEMBLY INSTRUCTION MODEL#2244-BF



All electrical components must be installed by a licensed electrician in accordance with the National Electric Code and the appropriate local electrical codes.



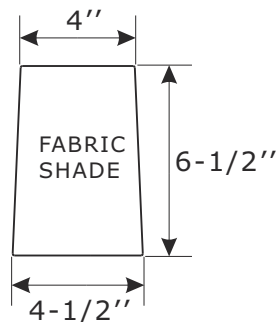
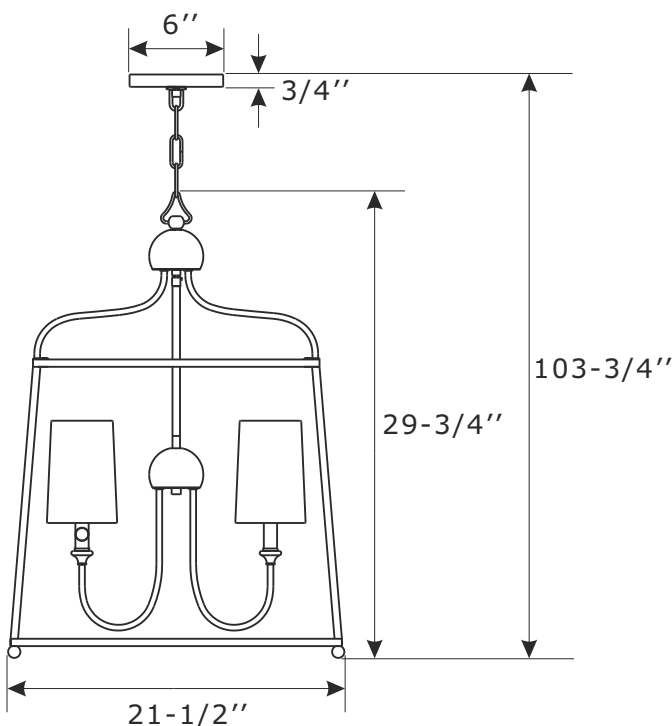
You will need 4- Candelabra Base Bulb  
40 Watts Recommended 60 Watts Max.  
USE LED BULBS FOR EXTENDED USE  
This fixture is Dry rated

## How to install

1. Place the threaded end of a iron tube into a hole on the bottom square ring. Secure with a finial. Repeat this for the other iron tubes.
2. Remove the long screw from each of the iron tubes. Align the holes on the top square ring with the holes that the long screws were removed from. Tighten each screw into the holes to secure the top square ring and the (4) iron tubes together.

Make sure that the iron tubes are assembled straight relative to the top and bottom ring before tightening the top screws and the bottom finials.

3. Slip the center rod along wire and thread into the coupling located on the top of the light cluster.
4. Slip the arm assembly along wire and thread into the center rod.
5. Spread the arms so that the arms are at equal distance from each other.
6. Remove the short screw from each of the holes on the top square ring. Align the holes on the tabs of the arm assembly with the holes on the top square ring and secure together using the short screws that were removed.
7. Slip the loop along wire and thread onto the nipple of arm assembly.
8. Install the fabric shade onto the candle sleeve.
9. Install the bulbs(not included) into the socket.



**WARNING:** This product can expose you to Lead which is known to the state of California to cause cancer and/or birth defects or reproductive harm. For more information go to [www.P65Warnings.ca.gov](http://www.P65Warnings.ca.gov)

# CRYSTORAMA

LIGHTING THE WAY FOR SIXTY YEARS

ASSEMBLY INSTRUCTION MODEL #2244-BF

## Part Number

### Part Numbers

- A. (1)-Mounting hardware
- B. (1)-Canopy W6''xW6''xH3/4'' #XRF2240BFCAN6IN
- C. (1)-Collar ring
- D. (1)-Collar loop
- E. (1)-Chain -72'', 4mm thick #XRF2240BFCHA4.0MM
- F. (1)-Loop #XRF2240BFLOOP
- G. (1)-Center rod D1/2''x9-1/2''
- H. (8)-Short screw
- I. (4)-Long screw
- J. (1)-Top square ring W18-1/4''xW18-1/4''xH1/2'' #XRF2244BFTOPRING
- K. (4)-Iron tube L17-1/2''xH1/2'' #XRF2244BFIRT
- L. (1)-Bottom square ring W21-1/4''xW21-1/4''xH1/2'' #XRF2244BFBOTRING
- M. (4)-Bottom finial #XRF2243BFFIN
- N. (4)-Fabric shade W4-1/2''xH6-1/2'' #XRF2241BFSHA6.5IN
- O(A). (4)-Candle sleeve-BF W7/8''xL3-3/8'' #XRF2241BFCDL3.3IN
- O(B). (4)-Candle sleeve-WH W7/8''xL3-3/8'' #XRF2241WHCDL3.3IN

