

Craftmade

CEILING FANS

Est. 1985

READ THESE INSTRUCTIONS AND
SAVE THEM FOR FUTURE USE

Federal regulations require ceiling fans with light kits manufactured or imported after January 1, 2009, to limit total wattage consumed by the light kit to 190W. Therefore, this fan is equipped with a wattage limiting device.



Installation Guide

For Models:

VS60OB5

VS60SS5

Table of Contents:

Safety Tips. pg. 1

Unpacking Your Fan. pg. 2

Parts Inventory. pg. 2

Installation Preparation. pg. 3

Hanging Bracket Installation. pg. 3

Fan Assembly. pgs. 4 - 5

Wiring. pg. 6

Canopy Assembly. pg. 7

Blade Assembly. pg. 7

Light Kit Assembly (Optional). pg. 8

Automated Learning Process./

Activating Code. pg. 9

Wall Control Operation. pg. 9

Remote Control Operation. pg. 10

Testing Your Fan. pg. 10

Troubleshooting. pg. 11

Warranty. pg. 11

Parts Replacement. pg. 11



LISTED

E192641

net weight of fan: 32.5 lb (14.74 kg)

PRINTED IN CHINA

SAFETY TIPS.

WARNING: To reduce the risk of electrical shock, turn off the electricity to the fan at the main fuse box or circuit panel before you begin the fan installation or before servicing the fan or installing accessories.

1. **READ ALL INSTRUCTIONS AND SAFETY INFORMATION CAREFULLY BEFORE INSTALLING YOUR FAN AND SAVE THESE INSTRUCTIONS.**

CAUTION: To avoid personal injury, the use of gloves may be necessary while handling fan parts with sharp edges.

2. Make sure all electrical connections comply with Local Codes or Ordinances, the National Electrical Code, and ANSI/NFPA 70-1999. If you are unfamiliar with electrical wiring or if the house/building wires are different colors than those referred to in the instructions, please use a qualified electrician.
3. Make sure you have a location selected for your fan that allows clear space for the blades to rotate, and at least nine (9) feet (2.74 meters) of clearance between the floor and the fan blade tips. The fan should be mounted so that the tips of the blades are at least thirty (30) inches (76 centimeters) from walls or other upright structures.
4. The outlet box and ceiling support joist used must be securely mounted, and capable of supporting at least 35 pounds (16 kilograms). The box must be supported directly by the building structure. Use only CUL (Canada) or UL (USA) listed outlet boxes marked "FOR FAN SUPPORT."

WARNING: To reduce the risk of fire, electrical shock, or personal injury, mount to the outlet box marked "Acceptable for Fan Support of 15.9 kg (35 lb) or less," and use the mounting screws provided with the outlet box. Most outlet boxes commonly used for the support of lighting fixtures are not acceptable for fan support and may need to be replaced. Consult a qualified electrician if in doubt.

WARNING: To reduce the risk of fire, electrical shock, or personal injury, wire connectors provided with this fan are designed to accept only one 12 gauge house wire and two lead wires from the fan. If your house wire is larger than 12 gauge or there is more than one house wire to connect to the corresponding fan lead wires, consult an electrician for the proper size wire connectors to use.

5. Electrical diagrams are for reference only. Light kits that are not packed with the fan must be CUL (Canada) or UL (USA) listed and marked suitable for use with the model fan you are installing. Switches must be UL general use switches. Refer to the instructions packaged with the light kits and switches for proper assembly.
6. After installation is complete, check that all connections are absolutely secure.
7. After making electrical connections, spliced conductors should be turned upward and pushed carefully up into the outlet box. The wires should be spread apart with the grounded conductor and the equipment-grounding conductor on opposite sides of the outlet box.

WARNING: To reduce the risk of fire or electrical shock, do not use this fan with any solid state speed control device or control fan speed with a full range dimmer switch. [Using a full range dimmer switch to control fan speed will cause a loud humming noise from fan.]

8. Do not operate the reverse switch until fan has come to a complete stop. **[Note:** If using remote control with reverse capability, reverse fan blade direction only when on LOW speed.]
9. Do not insert anything between the fan blades while they are rotating.

WARNING: To reduce the risk of personal injury, do not bend the blade arms during assembly or after installation. Do not insert objects into the path of the blades.

WARNING: To avoid personal injury or damage to the fan and other items, be cautious when working around or cleaning the fan.

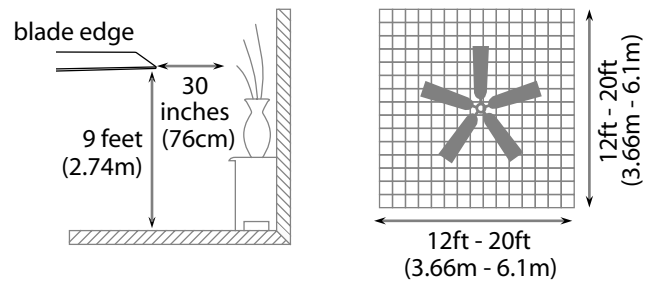
10. Do not use water or detergents when cleaning the fan or fan blades. A dry dust cloth or lightly dampened cloth will be suitable for most cleaning.

WARNING: To reduce the risk of personal injury, use **only** parts provided with this fan. **The use of parts OTHER than those provided with this fan will void the warranty.**

NOTE: The important safety precautions and instructions appearing in the manual are not meant to cover all possible conditions and situations that may occur. It must be understood that common sense and caution are necessary factors in the installation and operation of this fan.

3. Installation Preparation.

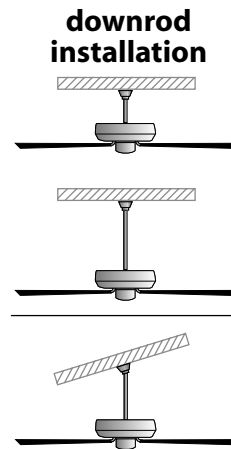
To prevent personal injury and damage, ensure that the hanging location allows the blades a clearance of 9 feet (2.74m) from the floor and 30in. (76cm) from any wall or obstruction. This fan is suitable for room sizes up to 400 square feet (37.2 square meters).



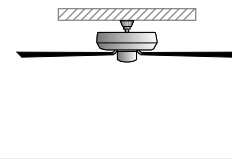
This fan can be mounted with a **downrod** on a regular (no-slope) or vaulted ceiling. The hanging length can be extended by purchasing a longer downrod (0.5in./1.27cm diameter). Other installation, such as **flushmount**, is not available for this fan.

Installation requires these tools:

Phillips screwdriver, flathead screwdriver, adjustable pliers or wrench, stepladder, wire cutters, and rated electrical tape



flushmount installation



Vaulted ceiling angle is not to exceed 25 degrees.

4. Hanging Bracket Installation.

Turn off circuit breakers to current fixture from breaker panel and be sure operating light switch is turned to the OFF position.

WARNING: Failure to disconnect power supply prior to installation may result in serious injury.

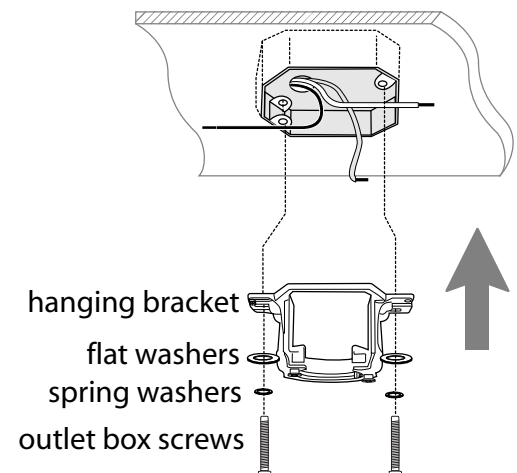
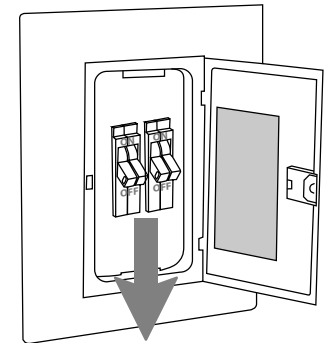
Remove existing fixture.

WARNING: When using an existing outlet box, be sure the outlet box is securely attached to the building structure and can support the full weight of the fan. Ensure outlet box is clearly marked "Suitable for Fan Support." If not, it must be replaced with an approved outlet box. Failure to do so can result in serious injury.

CAUTION: Be sure outlet box is grounded properly and that a ground wire (**GREEN** or bare) is present.

Install hanging bracket to outlet box, using original screws, spring washers and flat washers provided with new or original outlet box.* If installing on a vaulted ceiling, face opening of hanging bracket towards high point of ceiling. Arrange electrical wiring around the back of the hanging bracket and away from the bracket opening.

***Note:** It is very important that you use the proper hardware when installing the hanging bracket as this will support the fan.



5. Fan Assembly.

Locate 3 pairs of screws in top of motor housing--refer to *drawing at right*--and remove each of these screws. Locate one RED DOT on top of motor housing and one RED DOT on base at bottom of one the rods on the downrod support. **Align the red dots** and then attach downrod support with 6 screws that were just removed.

WARNING: Be sure to securely tighten each of the 6 screws in the downrod support as the downrod support is what will support the fan once the fan has been installed.

Connect plug from downrod support to plug from motor housing. Be sure plugs connect completely.

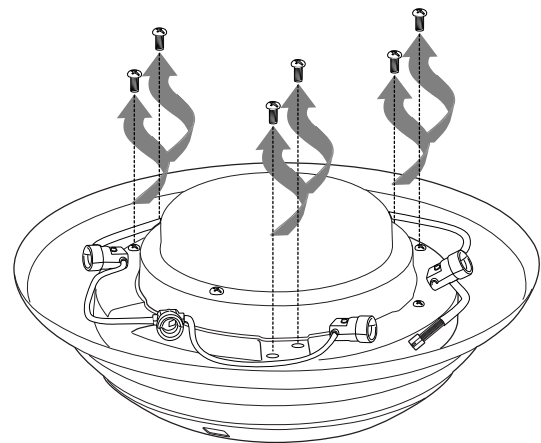
Install the 6 candelabra base bulbs provided into sockets located in top of motor housing.

If you wish to extend the hanging length of your fan, you must remove the hanging ball from the 4½in. downrod provided to use with an extended downrod (sold separately). [If you wish to use the 4½in. downrod, please proceed to instructions on the following page.]

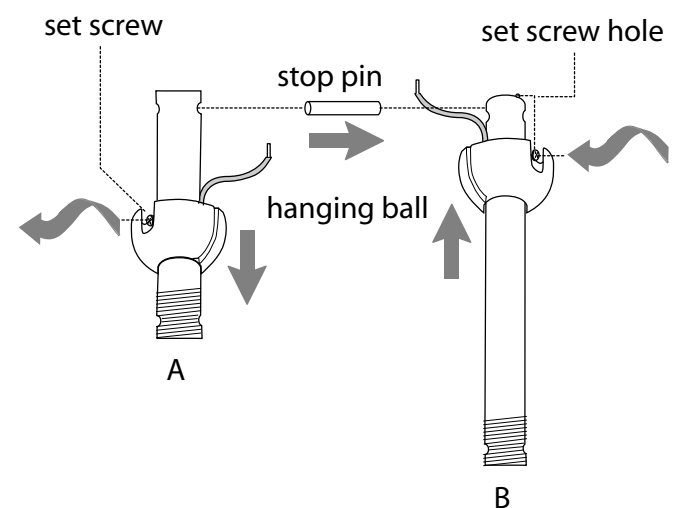
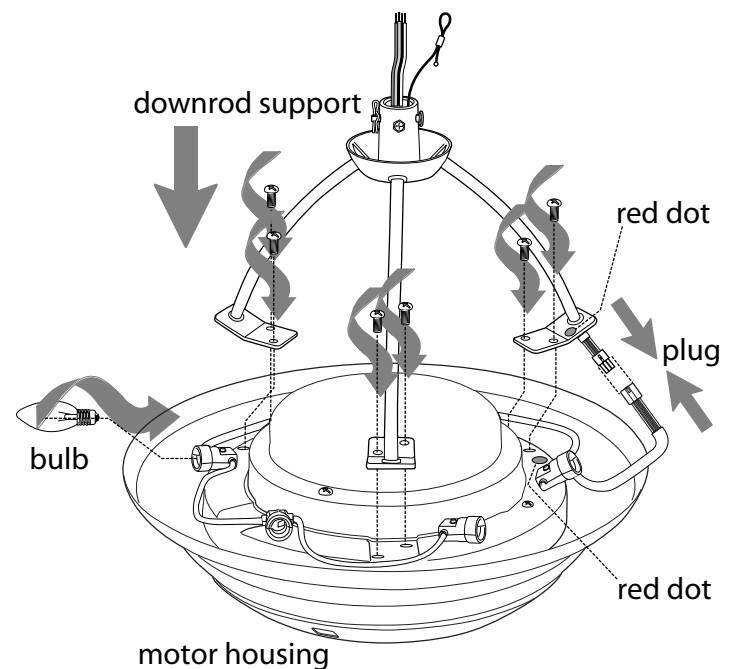
To remove hanging ball, loosen set screw on hanging ball, lower hanging ball and remove stop pin. Slide hanging ball off the original downrod, A, and slide it down the longer downrod, B (the top of the downrod should be noted as having a set screw hole; use this hole when setting the set screw). Insert stop pin into top of extended downrod and raise hanging ball. Be sure stop pin aligns with slots on the inside of the hanging ball. Tighten set screw securely.

["Fan Assembly" continued on next page.]

NOTE: The important safety precautions and instructions appearing in the manual are not meant to cover all possible conditions and situations that may occur. It must be understood that common sense and caution are necessary factors in the installation and operation of this fan.



motor housing



5. Fan Assembly. (cont.)

Tip: To prepare for threading electrical wires through downrod, apply a small piece of electrical tape to the ends of the electrical wires--this will keep the wires together when threading them through the downrod.

Locate canopy cover in hardware pack. Loosen yoke set screws and nuts at top of downrod support and then remove pin and clip from yoke at top of downrod support. Slide downrod through canopy, canopy cover and yoke cover. **[Note:** Canopy cover must be turned with shiny side *toward* the motor.]

Thread electrical wires and safety cable through downrod and pull extra wire slack from the upper end of the downrod.

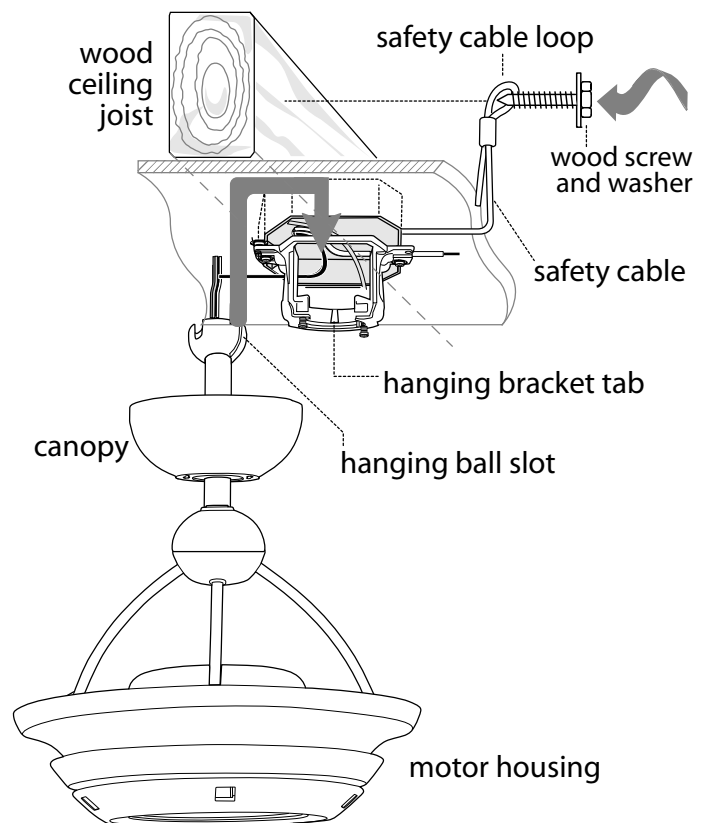
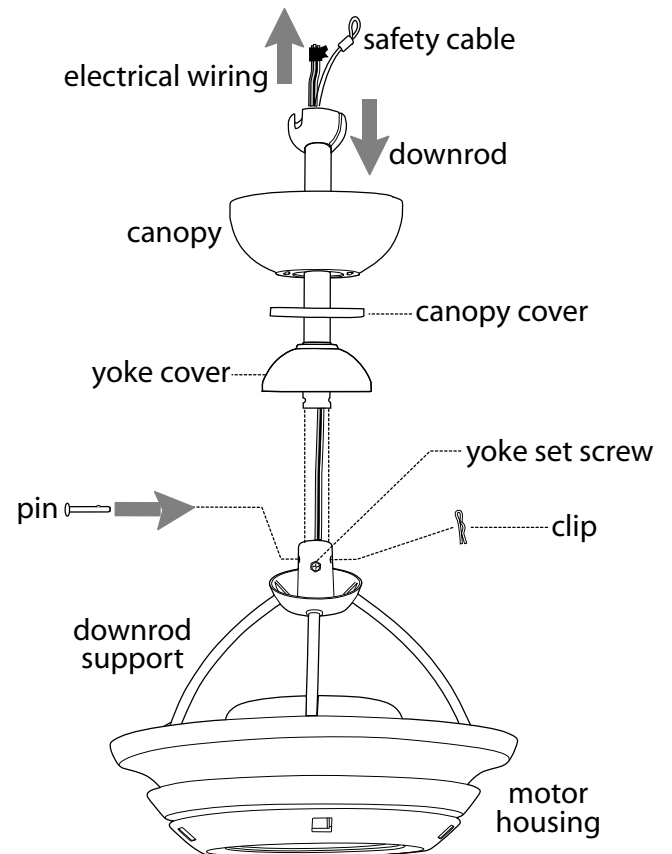
Thread downrod into top of downrod support until holes for pin and clip in downrod align with holes in yoke--*make sure wires do not get twisted*. Securely tighten yoke set screws and nuts. Lower yoke cover to downrod support.

With the hanging bracket secured to the outlet box and able to support the fan, you are now ready to hang your fan. Grab the fan firmly with two hands. Slide downrod through opening in hanging bracket and let hanging ball rest on the hanging bracket. Turn the hanging ball slot until it lines up with the hanging bracket tab.

WARNING: Failure to align slot in hanging ball with tab in hanging bracket may result in serious injury or death.

Tip: Seek the help of another person to hold the stepladder in place and to help lift the fan up to you once you are set on the ladder.

Find a secure attachment point (wood ceiling joist highly recommended) and secure safety cable. It will be necessary to use a heavy duty wood screw, washer and lock washer (not supplied) with the safety cable loop. If necessary, adjust the loop at the end of the safety cable. The loop at the end of the safety cable should just fit over the threads on the wood screw. Extra cable slack can be left in ceiling area.



6. Wiring.

CAUTION: Be sure outlet box is properly grounded and that a ground (**GREEN** or Bare) wire is present.

Make sure all electrical connections comply with Local Codes or Ordinances and the National Electrical Code. If you are unfamiliar with electrical wiring or if the house/building wires are different colors than those referred to in the instructions, please use a qualified electrician.

Note: Excess lead wire length from the fan can be cut to the desired length and then stripped.

When downrod is secured in place on the hanging bracket, electrical wiring can be made as follows:

Connect **BLACK** wire from fan to **BLACK** wire from ceiling with wire connector provided.

Connect **WHITE** wire from fan to **WHITE** wire from ceiling with wire connector provided.

Connect all **GROUND (GREEN)** wires together from fan to **BARE/GREEN** wire from ceiling with wire connector provided.

* Wrap each wire connector separately with electrical tape as an extra safety measure.

IN ORDER TO WIRE WALL CONTROL, remove existing wall switch. **Wire the WALL CONTROL** with wire connectors provided as shown in diagram at right.

* Wrap each wire connector separately with electrical tape as an extra safety measure. Gently push wires and taped wire connectors into outlet box.

Use a ballpoint pen or a small screwdriver to set the code switches 1 through 4 on the wall control. Factory setting is pre-set and not recommended for use. **Write down number sequence for use in Section 10.**

Note: Since this fan comes with candelabra base and halogen bulbs, the dimmer switch (labeled **D** and **X**) has been pre-set to the "ON" position (**D**). If you do not wish to have dimming capability, please move the switch to the "OFF" position (**X**).

Install one 12-volt battery (included) in wall control. Attach wall control to outlet box and secure with screws from original wall switch. Attach front plate to wall control using 2 screws provided with the wall control.

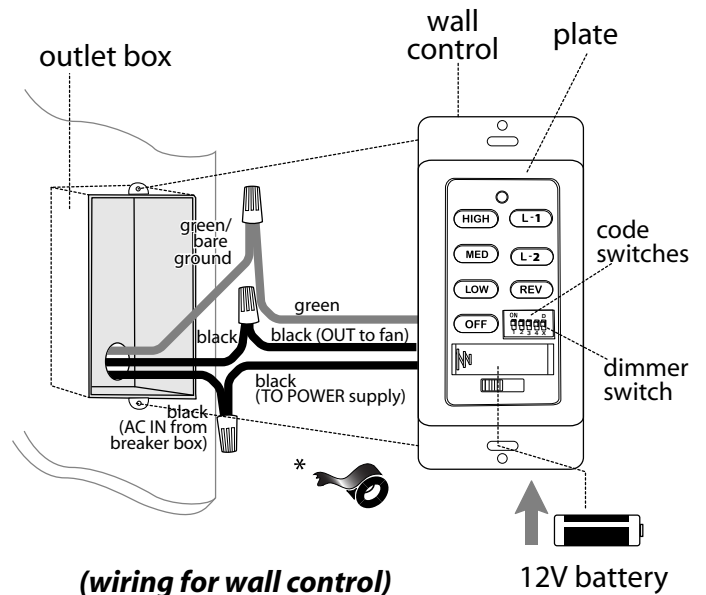
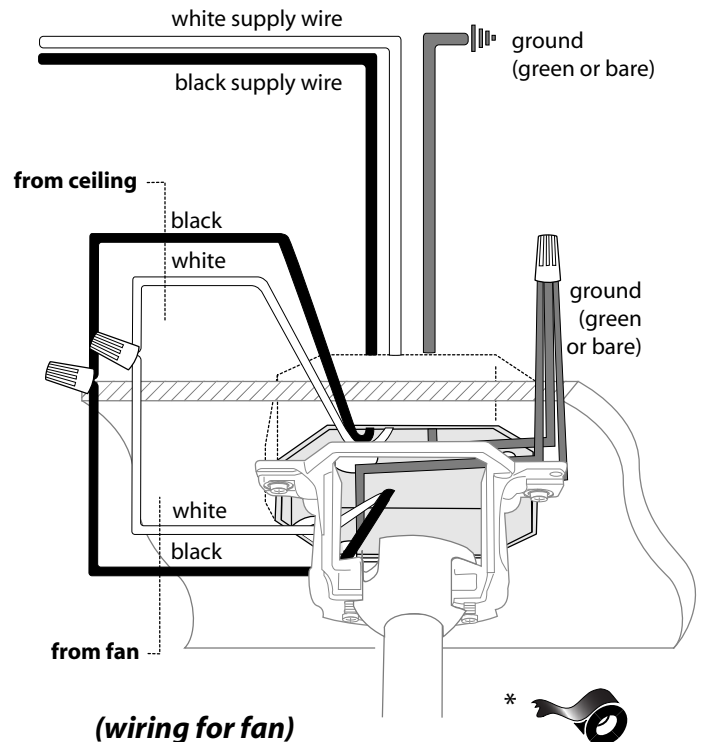
Important: Wall control will not function unless battery is installed.

Modifications not approved by the party responsible for compliance could void the user's authority to operate the equipment.

*NOTE: This equipment has been tested and found to comply with the limits for a Class B digital device, pursuant to Part 15 of the FCC Rules. These limits are designed to provide reasonable protection against harmful interference in a residential installation. This equipment generates, uses and can radiate radio frequency energy and, if not installed and used in accordance with the instructions, may cause harmful interference to radio communications. However, there is no guarantee that interference will not occur in a particular installation. If this equipment does cause harmful interference to radio or television reception, which can be determined by turning the equipment off and on, the user is encouraged to try to correct the interference by one or more of the following measures:

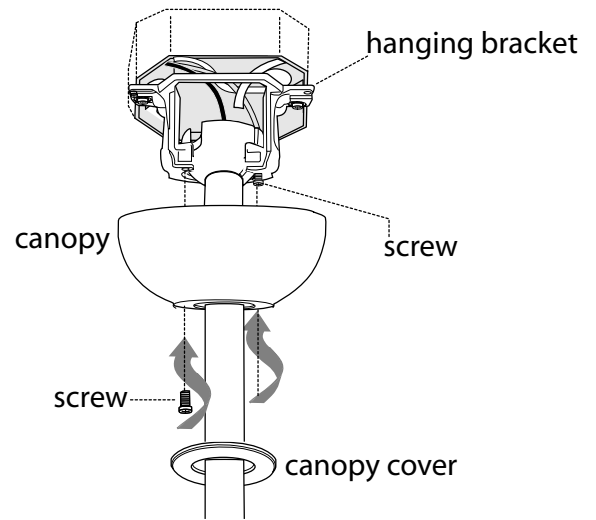
- * Reorient or relocate the receiving antenna.
- * Increase the separation between the equipment and receiver.
- * Connect the equipment into an outlet on a circuit different from that to which the receiver is connected.

Consult the dealer or an experienced radio/TV technician for help.



7. Canopy Assembly.

Locate 2 screws on underside of hanging bracket and remove screw closest to the open end of the hanging bracket. Partially loosen the other screw. Lift canopy to hanging bracket. Place rounded part of slotted hole in canopy over loosened screw in hanging bracket and push up. Twist canopy to lock. Re-insert screw that was removed and then tighten both screws securely. Slide canopy cover up to canopy, aligning rounded part of slotted holes in canopy cover with screwheads in bottom of canopy. Turn canopy cover to the right (clockwise) until it stops.



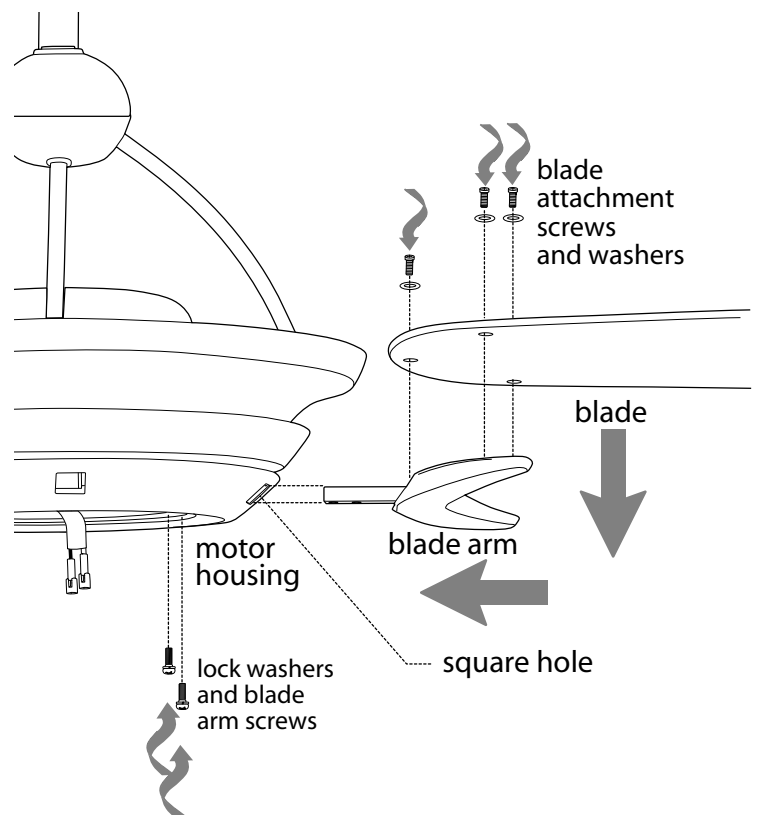
8. Blade Assembly.

Time Saver: Washers for blade screws can be set on each blade screw prior to installing blades.

Locate 15 blade attachment screws and washers in one of the hardware packs. Hold blade arm up to blade and align holes. Insert 3 blade attachment screws (along with washers) with fingers first and then tighten screws securely with a Phillips screwdriver. Repeat for the remaining blades.

Locate 10 blade arm screws and lock washers in hardware pack. Slide a blade arm into one of the square holes in the side of the motor housing, making sure to align the blade arm holes with the motor screw holes, and then attach blade arm with lock washers and blade arm screws. Before securing screws permanently, repeat this procedure with remaining blade arms. Secure all screws.

Note: Tighten blade arm screws twice a year.



9. Light Kit Assembly (Optional).

Remove 1 screw from motor plate on underside of motor housing and partially loosen the other 2 screws. Align slotted holes in fitter plate with loosened screws in motor plate, allowing moxex connections from motor housing to come through hole in middle of fitter plate. Twist fitter plate to lock. Re-insert screw that was previously removed and securely tighten all 3 screws with Phillips screwdriver.

If you wish to USE the light kit, partially loosen the 3 screws on the posts located on underside of fitter plate.

Connect **WHITE** wire from motor housing to **WHITE** wire from light kit fitter. Connect **BLACK** (or **BLUE**) wire from motor housing to **BLACK** wire from light kit fitter. Be sure moxex connections snap together securely.

Align slotted holes in light kit fitter with loosened screws in fitter plate. Twist light kit fitter to lock. Tighten all 3 screws securely.

Install one 75 watt max. halogen bulb, type JD E11 (included).

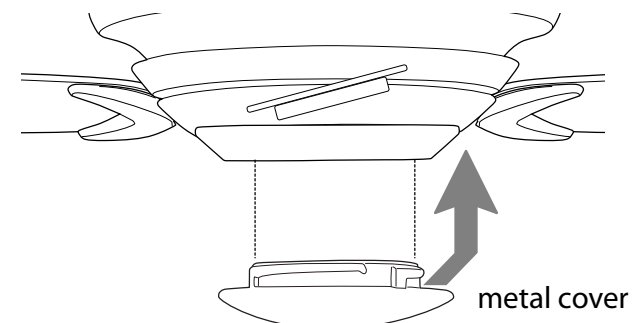
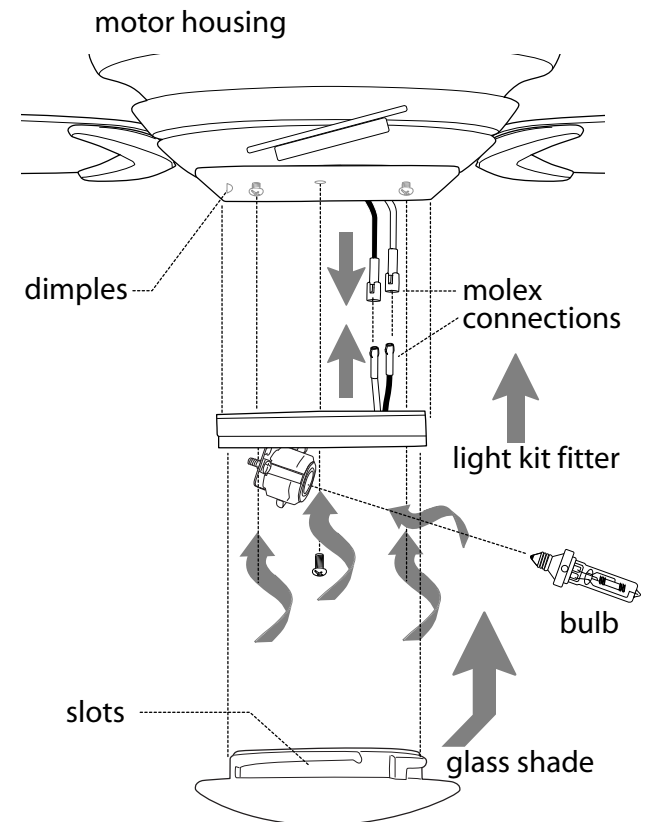
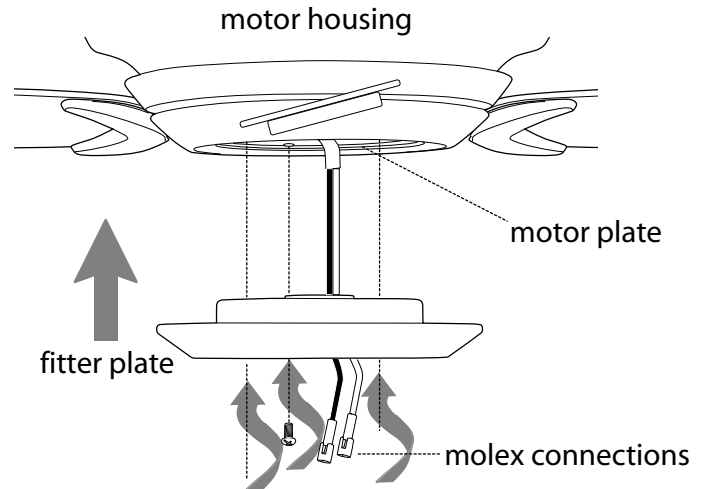
Tip: Do not touch glass portion of bulb with fingers or hands. Oil from skin can cause bulb to overheat and go out prematurely. Use cardboard box or foam wrapping bulb was packed with to layer around glass portion of bulb.

Locate slots on glass shade and align with dimples inside fitter plate. Gently push up on glass shade and turn to the RIGHT (clockwise) until it slides completely into place.

IMPORTANT: The glass shade must be removed* in order to replace the bulb. When you need to replace the bulb, please allow bulb and glass shade to cool down before touching. Keep in mind not to touch the bulb itself as described above (see "**Tip**" above)
*The use of rubber grip gloves are recommended in order to remove the glass shade.

If you do NOT wish to use the light kit, locate slots on metal cover and align with dimples inside fitter plate. Gently push up on metal cover and turn to the RIGHT (clockwise) until it slides completely into place.

CAUTION: Do **not** install the light kit fitter or the bulb if you do NOT wish to use the light kit.



10. Automated Learning Process./ Activating Code.

CAUTION: The remote control transmitter can be programmed to multiple receivers or fans. If this is not desired, turn wall switch off to any other programmable receiver or fan.

This remote control transmitter is equipped with 16 code combinations to prevent possible interference from or to other remote units such as garage door openers, car alarms or security systems. If you find that your fan and light go on and off without using your remote control, simply change the combination code in your remote control transmitter (and wall control). **To set the code, perform these steps:**

Remove battery cover from back side of transmitter.

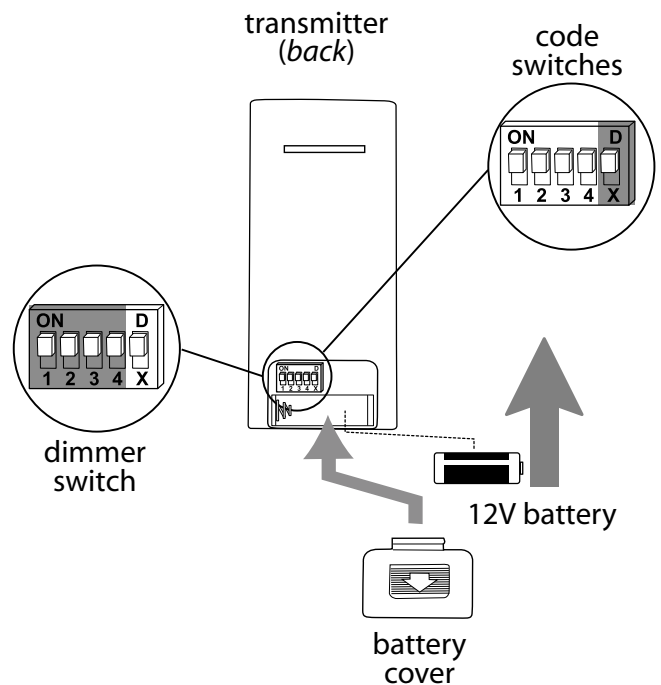
Use a ballpoint pen or a small screwdriver to set the code switches 1 through 4 for the transmitter. **Use the same number sequence used when wiring the wall control in Section 6 (page 6).**

Note: The dimmer switch (labeled **D** and **X**) has been pre-set to the "ON" position (**D**). If you do not wish to have dimming capability, please move the switch to the "OFF" position (**X**).

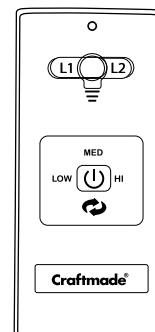
Install 12-volt battery (included) in transmitter and then re-attach the battery cover.

IMPORTANT: Store the transmitter away from excess heat or humidity. To prevent damage to transmitter, remove the battery if not used for long periods.

Restore electrical power and then set slider switch on wall control to the ON position. Within 30 seconds of turning on the wall control, press and hold the "OFF" button (⏻), located on the front of the transmitter, for 5 seconds or until lower light on fan blinks twice. Test the fan and light functions to confirm the learning process is complete--see Section 13.



transmitter (front)



11. Wall Control Operation.

ON/OFF slider switch - turns wall control ON or OFF

HIGH button - turns fan to HIGH speed

MED button - turns fan to MEDIUM speed

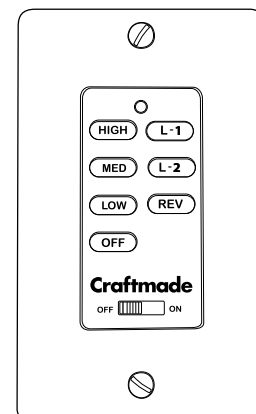
LOW button - turns fan to LOW speed

OFF button - turns fan OFF

L1 button - turns lower light ON/OFF when pressed once; dims lower light when pressed and held down

L2 button - turns upper light ON/OFF when pressed once; dims upper light when pressed and held down

REV button - used to REVERSE blade direction (fan must be set on low before reversing blade direction)





12. Remote Control Operation.

HI button - turns *fan* to HIGH speed

MED button - turns *fan* to MEDIUM speed

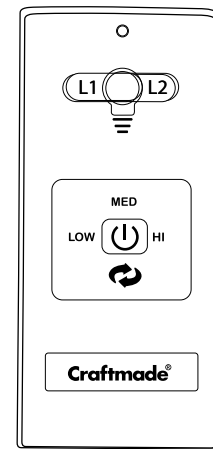
LOW button - turns *fan* to LOW speed

 button - used to REVERSE blade direction (fan must be set on *low* **before** reversing blade direction)

 button - turns *fan* OFF

L1 button - turns *lower light* ON/OFF when pressed once; dims *lower light* when pressed and held down

L2 button - turns *upper light* ON/OFF when pressed once; dims *upper light* when pressed and held down

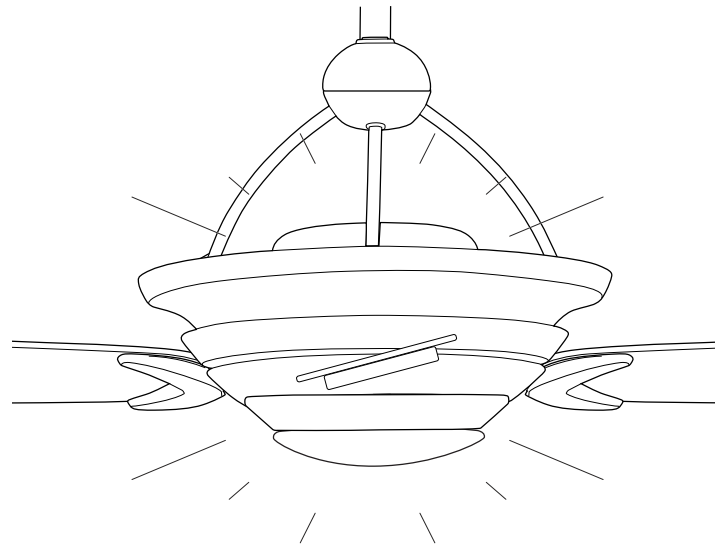


13. Testing Your Fan.

It is recommended that you test fan before finalizing installation. Locate ON/OFF slider switch on wall control and set to the ON position. Test light and dimmer functions with the L1 and L2 light buttons and then test fan speeds with different fan speed control buttons on the wall control. Next, locate remote control transmitter. Test fan speeds with the different fan speed buttons on remote control. Test the light ON/OFF function with the L1 button on the remote control; repeat with the L2 button. Test dimmer function by holding down the L1 button for more than 2 seconds; repeat with the L2 button. If the remote control operates all of the functions of the fan and light, battery has been installed correctly. If the wall and/or remote controls do (does) not operate all of the fan/light functions, please refer to "Troubleshooting" section to solve any issues.

Fan *must* be on LOW *before* setting the fan to reverse direction. Use "reverse" button to recirculate air depending on the season.

NOTE: If the remote control interferes with other appliances, change code switches on the transmitter (AND the wall control) to another code. If you do change the code, **turn power off first**, remove the battery cover, and, after setting the new code, go back to the instructions in the last paragraph of Section 10 (page 9).



Troubleshooting.

WARNING: Failure to disconnect power supply prior to troubleshooting any wiring issues may result in serious injury.

Problem: Fan fails to operate.

Solutions:

1. Check power to wall switch/wall control.
2. Verify that reverse switch is set completely in either direction.
3. Check to be sure code switches in remote control transmitter and wall control are set properly.
4. Verify that receiver is wired properly.
5. Verify that wall control is wired properly.
6. Check to be sure fan is wired properly.
7. Check that red light on remote control transmitter turns on when a button is pressed indicating that the battery is good.
8. Learning process between fan, remote control transmitter and wall control may not have been successful and code was not activated. Turn off power and repeat instructions in the last paragraph of Section 10 (page 9).

Problem: Light kit (optional) not lighting.

Solutions:

1. Check wall switch to fan.
2. Check that bulbs are installed correctly.
3. Check that wires in canopy are wired properly.
4. Check to be sure code switches are set properly in remote control transmitter and wall control.
5. Verify that molex connections in light kit fitter are connected properly.
6. Learning process between fan, remote control transmitter and wall control may not have been successful and code was not activated. Turn off power and repeat instructions in the last paragraph of Section 10 (page 9).
7. Check to be sure that bulbs total no more than 190W. [Note: Lamping light kit with bulbs that total more than 190W will cause the wattage limiting device to interrupt the flow of electricity to the light kit.]

Problem: Fan operates but light(s) fail(s) (if applicable).

Solutions:

1. Check that bulbs are installed correctly.
2. Check to be sure wires in canopy are wired properly.
3. Verify that molex connections in light kit fitter are connected properly.
4. Replace defective bulbs with same type of bulb.
5. Check to be sure that bulbs total no more than 190W. [Note: Lamping light kit with bulbs that total more than 190W will cause the wattage limiting device to interrupt the flow of electricity to the light kit.]

Problem: Fan and light fail to operate with remote control.

Solutions:

1. Check battery power to remote control.
2. Check to be sure code switches are set properly in remote control transmitter and wall control.
3. Learning process between fan, remote control transmitter and wall control may not have been successful and code was not activated. Turn off power and repeat instructions in the last paragraph of Section 10 (page 9).

Problem: Fan wobbles.

Solutions:

1. Use the balancing kit provided in one of the hardware packs. *If no blade balancing kit is provided, please call Customer Support, 1-800-486-4892, to request one.*
2. Check to be sure set screw(s) on motor housing yoke is (are) tightened securely.
3. Check to be sure set screw on hanging ball is tightened securely.

Warranty.

CRAFTMADE/ELLINGTON LIFETIME WARRANTY:

CRAFTMADE/ELLINGTON warrants this fan to the original household purchaser for indoor use under the following provisions:

1-YEAR WARRANTY: CRAFTMADE/ELLINGTON will replace or repair any fan which has faulty performance due to a defect in material or workmanship. Contact Craftmade/Ellington Customer Service at **1-800-486-4892** to arrange for return of fan. Return fan, shipping prepaid, to Craftmade/Ellington. We will repair or ship you a replacement fan, and we will pay the return shipping cost.

5-YEAR WARRANTY: CRAFTMADE/ELLINGTON will repair or replace at no charge to the original purchaser any fan motor that fails to operate satisfactorily when failure results from normal use.

RETURN FAN MOTOR ONLY, shipping prepaid, to Craftmade/Ellington. We will repair or ship purchaser a replacement motor and Craftmade/Ellington will pay the return shipping cost.

6-YEAR TO LIFETIME LIMITED WARRANTY:

CRAFTMADE/ELLINGTON will repair the fan, at no charge for labor only to the original purchaser, if the fan motor fails to operate satisfactorily when failure results from normal use. Parts used in the repair will be billed to the purchaser at prevailing prices at time of repair.

The purchaser shall be responsible for all costs incurred in the removal, reinstallation and shipping of the product for repairs.

This warranty does not apply when damage from mechanical, physical, electrical or water abuse results in causing the malfunction. Deterioration of finishes or other parts due to time or exposure to salt air is specifically exempted under this warranty.

Neither Craftmade/Ellington nor the manufacturer will assume any liability resulting from improper installation or use of this product. In no case shall the company be liable for any consequential damages for breach of this, or any other warranty expressed or implied whatsoever. This limitation as to consequential damages shall not apply in states where prohibited.

Parts Replacement.

For parts and information, please refer to "Parts Inventory" on page 2.

Craftmade/Ellington Customer Support:
1-800-486-4892

www.craftmade.com

Craftmade

CEILING FANS Est. 1985