

C R A F T M A D E
air • light • sound

P.O. Box 1037
650 S. Royal Lane, Suite 100
Coppell, TX 75019

(800) 486-4892
8:00 to 5:00 CST (Central Standard Time)
Toll Free Fax: (877) 304-1728

email: customerservice@craftmade.com
www.craftmade.com

C R A F T M A D E
air • light • sound

P. O. Box 1037
650 S. Royal Lane, Suite 100
Coppell, TX 75019 EE.UU.

(800) 486- 4892
8:00 a 5:00 CST (Hora local central)
Número de fax sin cargo: (877) 304-1728

Correo electrónico:
customerservice@craftmade.com
www.craftmade.com
www.craftmade.com

C R A F T M A D E
air • light • sound

P. O. Box 1037
650 S. Royal Lane, Suite 100
Coppell, TX 75019 EE.UU.

de 8 heures à 17 heures (Heure standard du centre)
Numéro de télécopieur gratuit : (877) 304-1728

Email: customerservice@craftmade.com
www.craftmade.com



Civic Ceiling Fans

CI52

C R A F T M A D E
air • light • sound

Read and Save These Safety Precautions

1. Turn off electricity at main switch before wiring or servicing fan in order to avoid possible electrical shock.
2. All wiring must be in accordance with the National Electric Code (ANSI/NFPA 70-1999) and local electrical codes. Electrical installation should be performed by a qualified licensed electrician.
3. After making the wire connections, the wires should be spread apart with the grounded conductor and the equipment-grounding conductor on the one side of the outlet box and the ungrounded conductor on the other side of the outlet box.
4. The splices after being made should be turned upward and pushed carefully up into the outlet box.
5. Conductor of a fan identified as grounded conductor to be connected to grounded conductor of power supply, conductor of a fan identified as ungrounded conductor to be connected to an ungrounded conductor of power supply, conductor of fan identified for equipment grounding to be connected to an equipment-grounding conductor.
6. Fan should not be mounted in an area where it might get wet.
7. To reduce the risk of fire, electric shock or personal injury, mount to outlet box marked "Acceptable for Fan Support" and use mounting screws provide with the outlet box.
8. For safety and best operating results, we recommend that you have a qualified electrician assemble and install your fan.
9. **WARNING:** To reduce the risk of fire or electric shock, do not use this fan with any solid state speed control device.
10. To reduce the risk of personal injury, do not bend the blade brackets when installing the brackets, balancing the blades or cleaning the fan. Do not insert foreign objects in between rotating fan blades.

Before Assembly

1. Make sure that the fan voltage (120) is compatible with your own electrical system.
2. Check to make sure that your carton contains all the parts mentioned in the parts list.

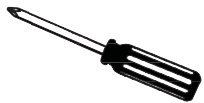
NOTE: When the motor is taken out of carton, please put it in a soft cloth to prevent any damage on the ornamental surface.

CAUTION: Before installing, choose a location for mounting the fan where the blades have at least 7 feet of clearance from all objects and floor. Mount an outlet box to the ceiling or use an existing box.

CAUTION: Do not mount fan to sheet rock or drywall type materials. To insure proper support, use the two #1 wood screws to secure mounting bracket to joist or beam. If the location you choose does not have a suitable support beam, install a 2"X4" brace between ceiling joists to support.

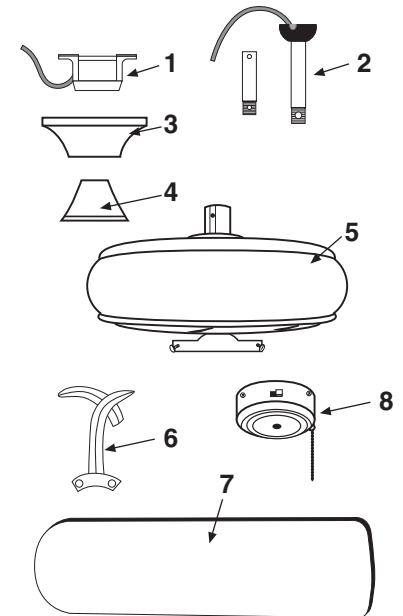
Tools You Need

1. Phillips Screwdriver
2. Adjustable Wrench
3. Needle Nose Pliers

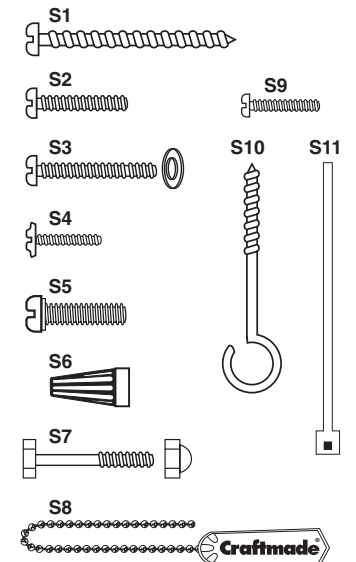


What You Have

Parts	Quantity
1. Mounting Bracket	1
2. Down Rod Assembly 2" & 6" Rod Supplied	2
3. Canopy	1
4. Flange Cover	1
5. Fan Housing & Motor	1
6. Blade arms	5
7. Blades (sold separately)	5
8. Switch Housing Assembly	1
9. Balance Kit	1



Screw Package	Quantity
S1. Wood Screws	2
S2. Screws (for Canopy)	3
S3. Bracket Screws & Washers	2
S4. Blade Screws	16
S5. Motor Screws (4 screws on motor)	11
S6. Wire Connectors	3
S7. Safety Bolt & Nut	1
S8. Pull Chains	2
S9. Switch Housing Screws	3
S10. "J" Hook	1
S11. Zip Tie	1



Preparation

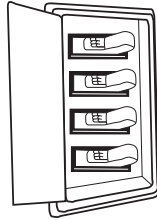
! Important: When using an existing outlet box, be sure the box is securely attached to the building structure and can support the full weight of the fan. Failure to do so can result in serious injury or death.

1

Step 1

Turn off circuit breakers and wall switch to the fan supply line leads.

! Warning: Failure to disconnect power supply prior to installation may result in serious injury or death. To reduce the risk of shock, this fan must be installed with an isolating wall control/switch.



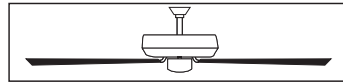
2

Step 2

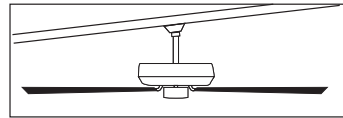
Determine mounting method to use.

- A. Downrod Mount
- B. Angle Mount
Craftmade Part #45AD (see dealer)

IMPORTANT: If using the angle mount method, check to make sure the ceiling angle is not steeper than 35°. Angles greater than 35° will require a 45° angle adapter.



Downrod Installation
(Normal Ceilings)

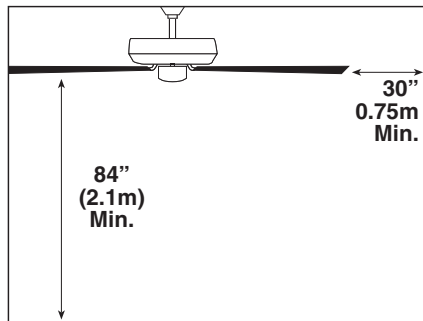


Downrod Installation
(Vaulted Ceilings)

3

Step 3

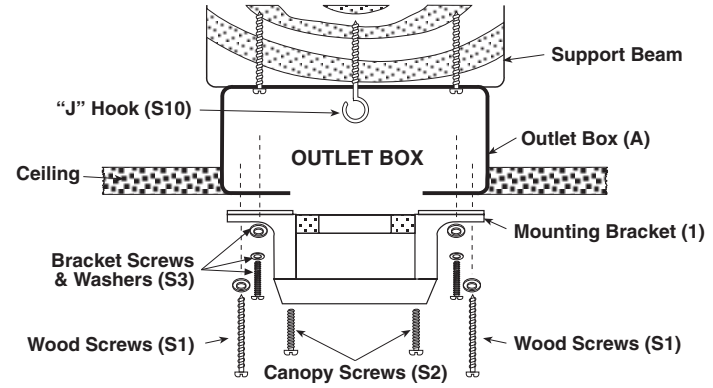
Check to make sure blades are at least 30" from any obstruction. Check downrod length to ensure blades are at least 7' above the floor.



4

Step 4

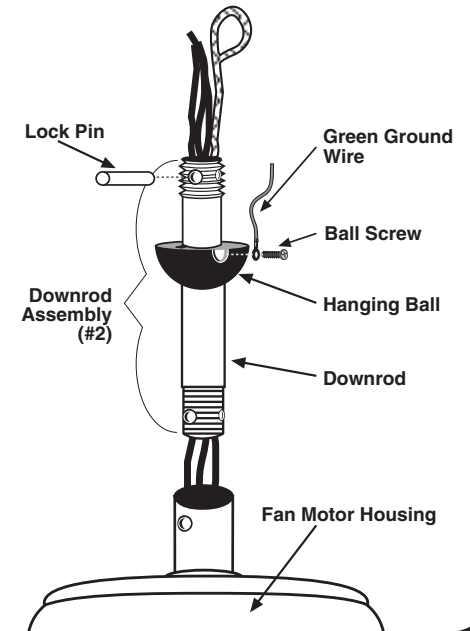
Prior to securing mounting bracket, screw "J" hook (S10) into ceiling outlet box as a secondary support means. Secure mounting bracket (#1) to the outlet box (A) by tightening bracket screws & washers (S3) as shown. If not mounting to an outlet box, use wood screws (S1) and washers (S3) and mount securely to ceiling beam. **Be sure at this point to insert canopy screws (S2) in bracket.** NOTE: Do not mount directly to sheet rock or ceiling tile. NOTE: J Hook installation is a Canadian requirement only.



5

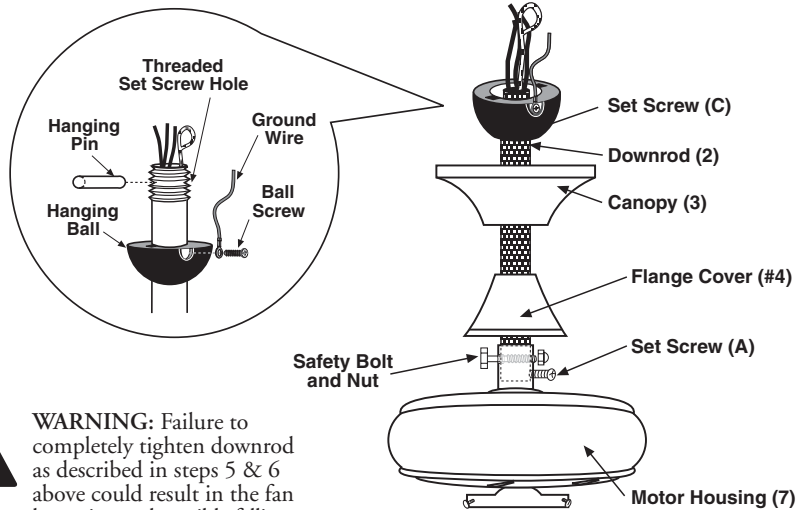
Step 5

Locate downrod assembly (#2). Loosen ball screw on black hanging ball to free lock pin. Black hanging ball will slide down. Remove ground screw and green ground wire. Remove hanging ball from downrod and save all parts. Insert fan wires through downrod. Screw downrod into top of fan motor housing, being careful that wires are pulled through.



6**Step 6**

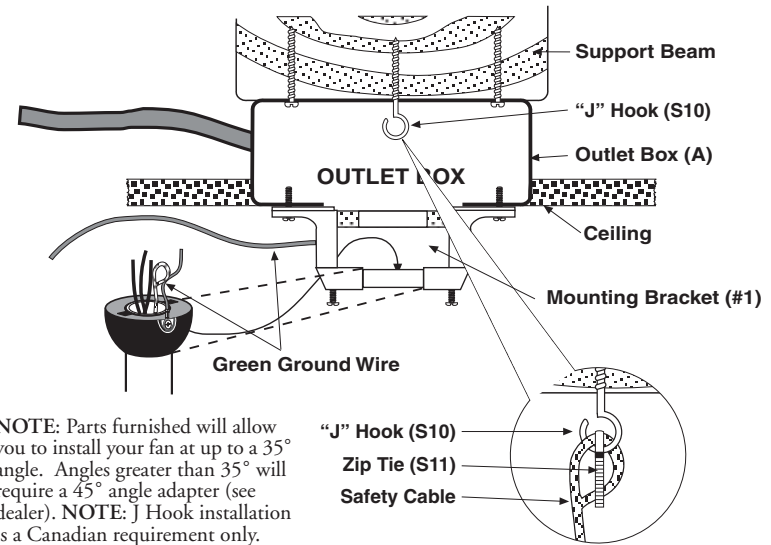
Position downrod so the hole in the downrod aligns with the hole in the coupling on the motor. Insert safety bolt (S7) through coupling and downrod and attach nut. Tighten firmly. Tighten set screw "A" against downrod. Place flange cover (#4) over downrod assembly until it covers flange. Place canopy (3) over downrod (#2). Replace hanging ball, insert hanging pin through downrod and tighten set screw "C" in hanging ball into downrod.



WARNING: Failure to completely tighten downrod as described in steps 5 & 6 above could result in the fan loosening and possibly falling.

**7****Step 7**

For added security, attach safety cable from fan unit to "J" hook (S10) in outlet box. Secure by looping zip tie (S11) through safety cable and "J" hook. Tighten zip tie securely. Lift fan onto the mounting bracket (#1). Turn housing until hanging ball seats itself into ball socket (listen for click).



NOTE: Parts furnished will allow you to install your fan at up to a 35° angle. Angles greater than 35° will require a 45° angle adapter (see dealer). **NOTE:** J Hook installation is a Canadian requirement only.

WARNING: To reduce the risk of fire, electric shock or personal injury, mount so outlet box marked "acceptable for fan support" and use mounting screws provided with the outlet box. Most outlet boxes commonly used for the support of lighting fixtures are not acceptable for fan support and may need to be replaced. Consult a qualified electrician if in doubt.

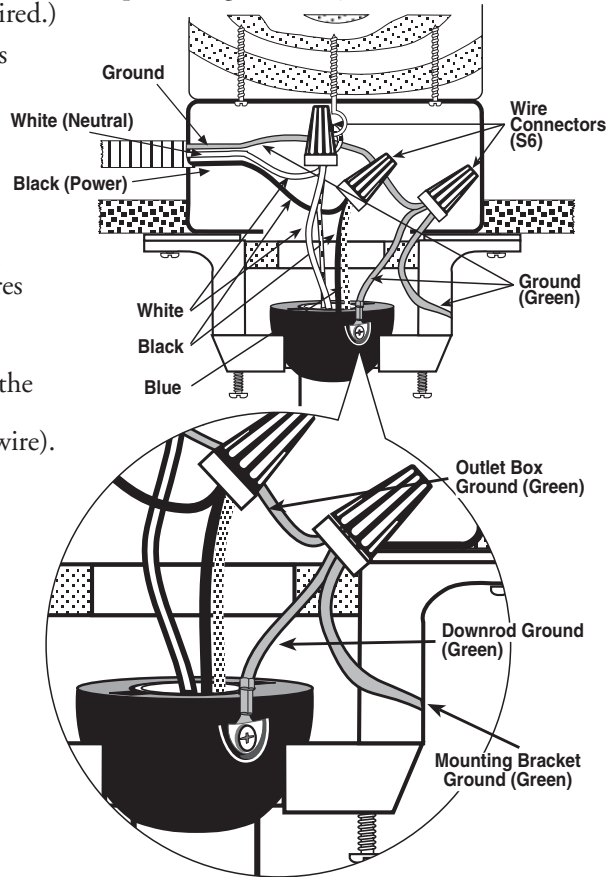


8

Step 8

1. Connect fan wires to ceiling wires: white fan wire to white outlet wire, black to black and green to green. Wire connectors (S6) are provided for your convenience. If an additional blue wire is present then also connect the blue wire to the black wire. (Optional light kit may be wired to individual wall switches, if desired.)

2. After connections are made, turn splices upward and push carefully into outlet box. Separate blue and black wires on one side of the box, and white and green wires on the other side. There are 4 colored wires coming from the top of the motor (including ground wire).



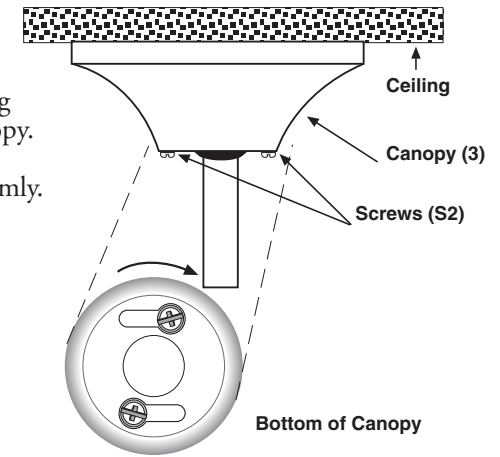
Wire Connections

Outlet Box	Fan wires
Black	Black (Hot wire for fan)
Green	Green (Ground wire)
White	White (Neutral wire)
Black	Blue (Light kit wire)

9

Step 9

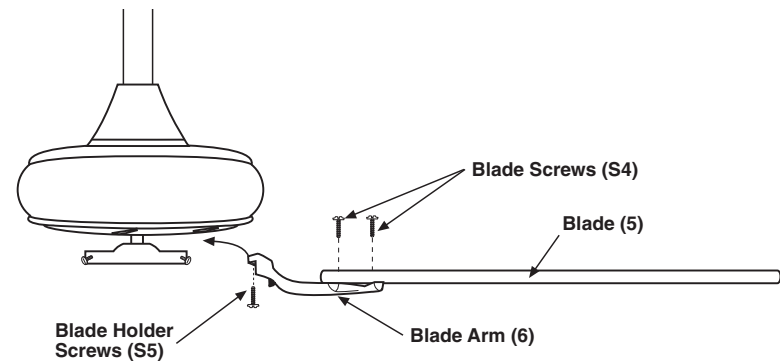
Attach canopy (#3) to the mounting bracket by placing screws (S2) into slot in canopy. Twist clockwise to lock into place. Tighten screws firmly.



10

Step 10

For blade assembly, position blade holder (#6), blade (#5) so that all screw holes are aligned (as shown in figure below). Using blade screws (S4), insert through top of blade holder, through blade, and into blade ornament. Tighten securely.

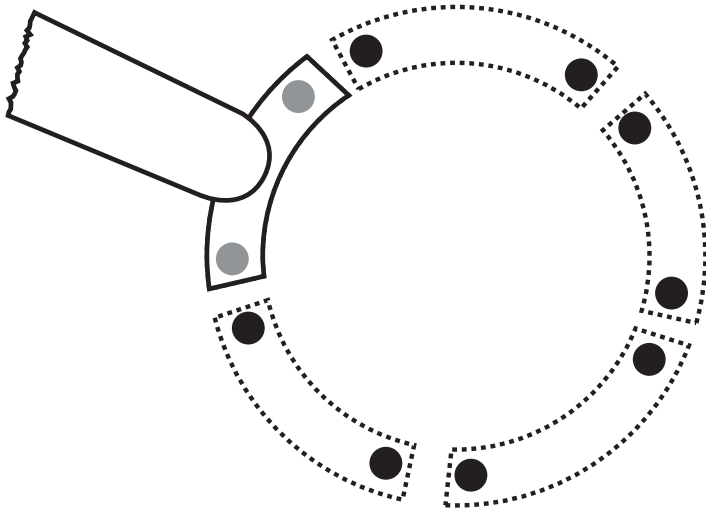


CAUTION: Install blade holders to motor only after motor installation is complete. This will prevent damage to the blade holders which have been carefully balanced.
IMPORTANT: Remove rubber cushions, saving motor screws for installation.

11

Step 11 5 Blade Installation

Remove rubber cushions, saving motor screws for blade installation. Using motor screws (S5) provided, line up holes from the blade arm with the holes in the motor housing. Tighten screws securely.



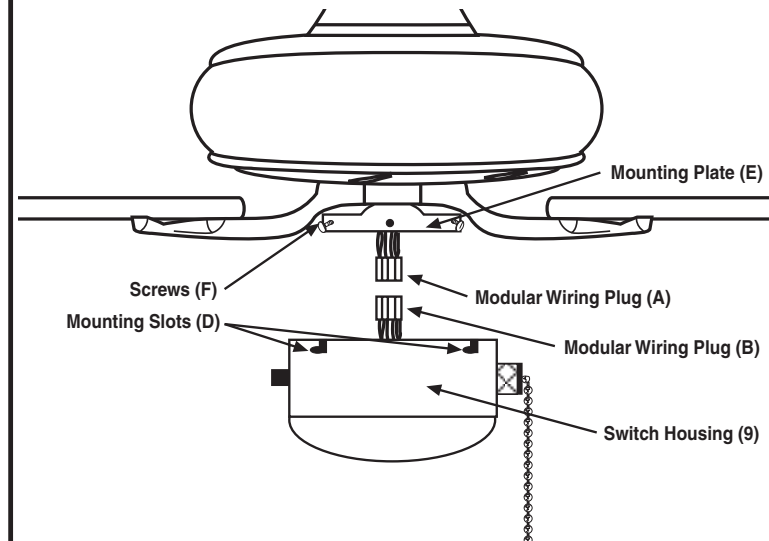
12

Step 12

1. To install the Switch Housing Assembly (#8), locate both modular wiring plugs (A) and (B). One extends from the mounting plate (E) on bottom of fan body and one extends from the Switch Housing (#8). Align the two plugs so the latch on the side of the plugs will engage when pushed together. Push the two plugs firmly together until latched.

2. Locate switch housing screws (S9). Raise switch housing cover (#8) and align the mounting holes with the holes on mounting plate (E). Once the holes are aligned, attach the switch housing cover using the switch housing screws (S9) and tighten firmly.

IMPORTANT: Be sure that no wires are caught in mounting slots or pinched between switch housing and mounting plate.



CAUTION

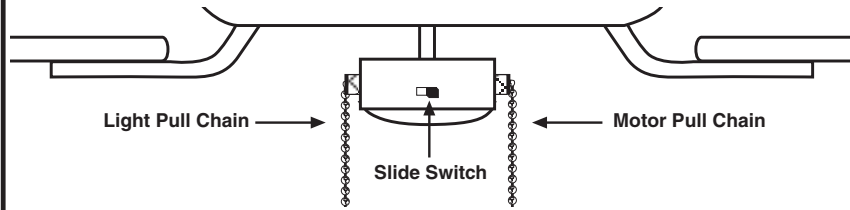


To reduce the risk of personal injury, **DO NOT** bend the blade arms when installing them. When balancing the blades, or cleaning the fan, do not insert foreign objects in between rotating fan blades.

13

Operation Instructions

1. The sequence of operation for the motor pull/chain switch is OFF-HI-MED-LOW.
2. Push the slide switch RIGHT for FORWARD, and LEFT for REVERSE action of the blades.
3. The pull chain switch for the lighting is two positions - ON/OFF.
4. The pull chain switch for the uplighting is on/off. NOTE: Sentry Uplighting takes 4-7W Candelabra bulbs (not included).



CAUTION

Even if your fan is mounted with the blades more than 7 feet from the floor, be careful to avoid placing your raised arms or any object in the path of the blades.

14

Electrical Connections

Connect black and blue (if provided) fan wires to black outlet wire. Connect white fan wire to white outlet wire and green grounding lead wire from the grounding conductor to the supply circuit (see figure A). Use wire connectors provided with your fan. No loose strands or loose connections should be present. After wires have been connected, they must be spread apart so the green and white are on one side of the outlet box and the black and blue are on the other side. Turn splices upward and carefully push all wiring into outlet box. For optional wall control see figure B or Figure C for alternate wiring. When wall switches are employed, switches should be UL listed for use with ceiling fan.

NOTE: Make sure fan on/off switch is always at "high speed" location if your fan is controlled by additional wall switch.

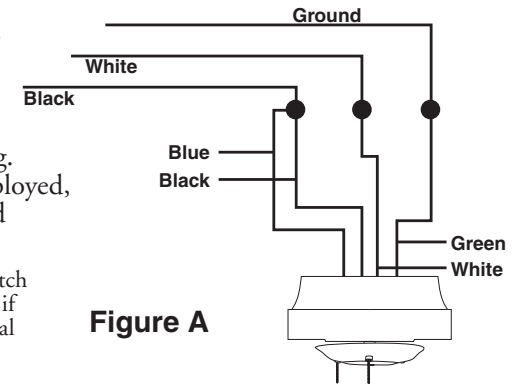


Figure A

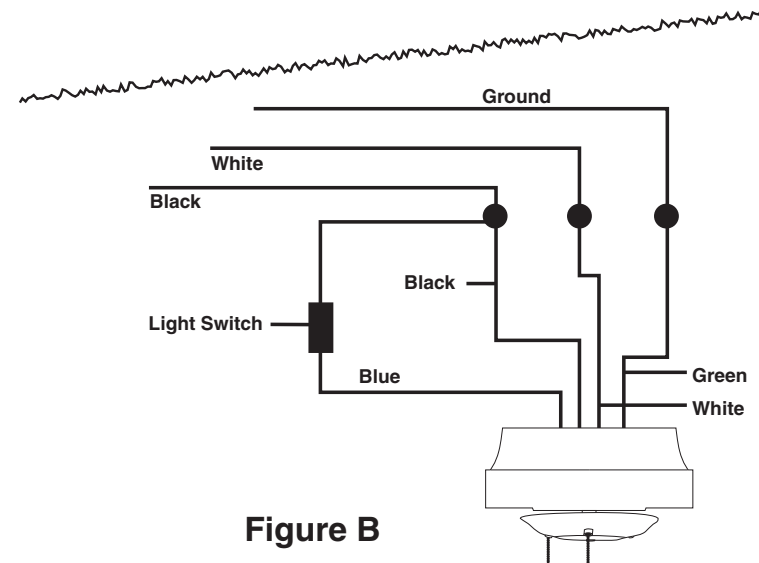
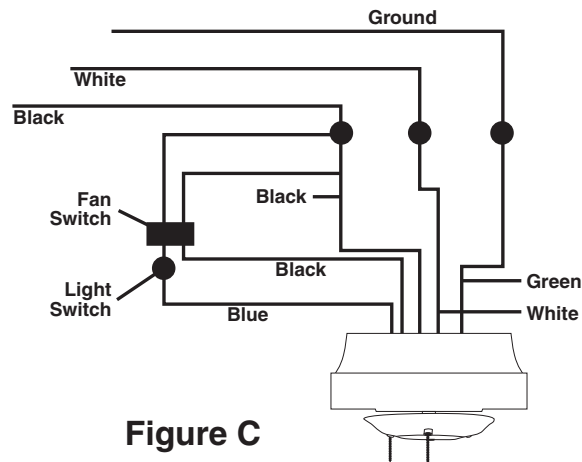


Figure B

Electrical Connections Continued...



Common Problems

Problem A: Fan Will not Start

- Remedies:
1. Check fuse or circuit breaker and replace if necessary
 2. Turn off electrical power and check all wire connectors.
 3. Check on/off TCS and wall control selector switch. See operation instructions.

Problem B: Fan is Excessively Noisy

- Remedies:
1. Check that all screws in fan assembly are tight and properly seated.
 2. Check to make sure mounting bracket is installed properly.
 3. Check to make sure light kit and glass reinstalled properly and tight.
 4. If wall control is used, insure the wall control is not a transformer or a variable speed type.

Problem C: Fan Wobbles

- Remedies:
1. Check that all blades are screwed firmly into blade holders.
 2. Check that all blade holders are screwed firmly into motor.
 3. Check the weight of blades. All our blades are weighed on electronic scales. The weight is marked on the reverse side of the fan blade near the motor end. All of the blades should be the same weight to prevent fan from wobbling.
 4. A balancing kit is enclosed if needed.

Weight: The weight of the complete fan, including assembly hardware is 17 lbs.



Ventiladores de Civic

CI52

Lea y conserve estas precauciones de seguridad

1. Apague la electricidad con el interruptor principal antes de cablear o dar servicio al ventilador para evitar posibles choques eléctricos.
2. Todo el cableado eléctrico debe acatar los códigos eléctricos nacionales (ANSI/NFPA 70-1999) y los códigos eléctricos locales. Un electricista capacitado debe realizar la instalación eléctrica.
3. Después de realizar las conexiones de cableado, deben separarse los cables con el conductor a tierra y el conductor de tierra del equipo en un lado de la caja de salida y el conductor sin tierra al otro lado de la caja de salida.
4. Una vez efectuados los empalmes deben girarse hacia arriba y empujarse con cuidado dentro de la caja de salida.
5. El conductor de un ventilador identificado como conductor a tierra debe conectarse al conductor a tierra de un suministro de alimentación, el conductor de un ventilador identificado como conductor sin tierra debe conectarse a un conductor sin tierra del suministro de alimentación; el conductor de un ventilador identificado para conectar a tierra el equipo debe conectarse a un conductor para tal efecto.
6. No debe montarse el ventilador en un área donde pueda mojarse
7. Para aminorar el riesgo de un incendio, choque eléctrico o lesión personal, móntelo a una caja de salida adecuada para soportar el ventilador ("Acceptable for Fan Support") y utilice los tornillos de montaje incluidos con la caja de salida.
8. Por motivos de seguridad y para obtener óptimos resultados, recomendamos que pida a un electricista capacitado ensamblar e instalar el ventilador.
9. ADVERTENCIA: Para reducir el peligro de incendio o choque eléctrico, no use este ventilador con ningún dispositivo de control de velocidad de estado sólido.
10. Para aminorar el riesgo de una lesión personal, no doble los soportes de las aspas al instalar los soportes, equilibrar las aspas o limpiar el ventilador. No introduzca objetos extraños entre las aspas giratorias del ventilador.

Antes del montaje

1. Revise que el voltaje (120) del ventilador sea compatible con su propio sistema eléctrico.
2. Compruebe que la caja contenga todas las piezas mencionadas en la lista correspondiente.

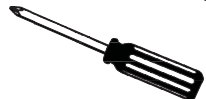
NOTA: Cuando se extraiga el motor de la caja, póngalo sobre un paño suave para evitar dañar la superficie ornamental.

PRECAUCIÓN: Antes de instalar, elija una ubicación para montar el ventilador donde las aspas tengan por lo menos 7 pies (2.1 m) de altura desde el piso y todo objeto. Monte una caja de salida en el cielo raso o use una caja existente.

PRECAUCIÓN: No monte el ventilador en materiales de tipo tablaroca o paneles de yeso. Para asegurar un soporte adecuado use los dos tornillos para madera (1) para asegurar el soporte de montaje a la viga. Si la ubicación que ha seleccionado no tiene una viga de soporte que sirva, instale una abrazadera de 2" x 4" (5 x 10 cm) entre las vigas del cielo raso para soportar el ventilador.

Herramientas necesarias

1. Destornillador Phillips



2. Llava ajustable



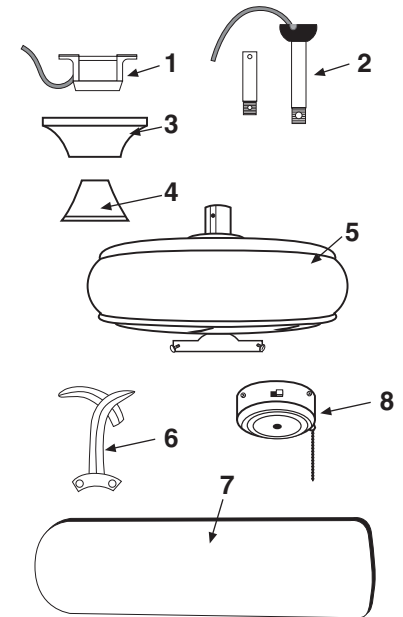
3. Alicates de punta



Componentes Incluidos

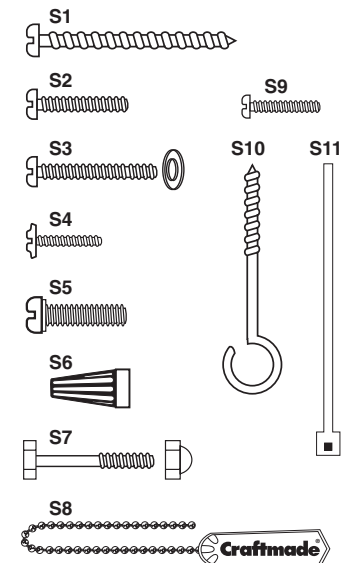
Piezas

Piezas	Cantidad
1. Soporte de montaje	1
2. Ensamblaje de vara hacia abajo, se suministra vara de 2 y 6 pulg. (5 y 15 cm) (Use el largo deseado)	2
3. Cúpula	1
4. Cubierta de la brida	1
5. Caja del ventilador y motor	1
6. Brazos de las aspas	5
7. Aspas (se venden por separado)	5
8. Ensamblaje de la caja del interruptor	1
9. Juego de equilibrio	1



Paquete de herraje

Paquete de herraje	Cantidad
S1. Tornillos para madera	2
S2. Tornillos (para la cúpula)	3
S3. Tornillos de soporte y arandelas	2
S4. Tornillos de las aspas	16
S5. Tornillos del motor (4 tornillos en el motor)	11
S6. Conectores de cables	3
S7. Perno y tuerca de seguridad	1
S8. Cadenas	2
S9. Tornillos de la caja del interruptor	3
S10. El Cancho "J"	1
S11. Amarra	1



Preparación

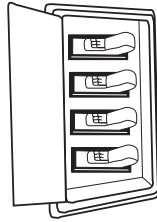
! *Importante:* Al utilizar una caja de salida existente, revise que la caja esté conectada firmemente a la estructura de la edificación y que pueda soportar el peso total del ventilador. De lo contrario puede ocasionar lesiones graves o fatales.

1

Paso 1

Apague los disyuntores y el interruptor de la pared hacia los conductores de suministro del ventilador.

! *Advertencia:* Si no se desconecta el suministro de alimentación antes de la instalación puede ocasionar lesiones graves o fatales. Este ventilador debe instalarse con un interruptor/control aislante de pared para reducir el riesgo de electrochoque.



2

Paso 2

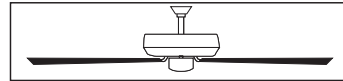
Determine el método de montaje a usar.

A. Montaje con vara hacia abajo

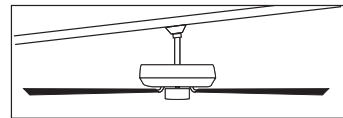
B. Montaje angular

Pieza Craftmade 45AD
(consulte al distribuidor)

IMPORTANTE: Si utiliza el método de montaje angular, revise que el ángulo del cielo raso no supere los 35°. Los ángulos mayores de 35° necesitarán un adaptador angular de 45°.



Instalación con vara hacia abajo
(cielos rasos normales)

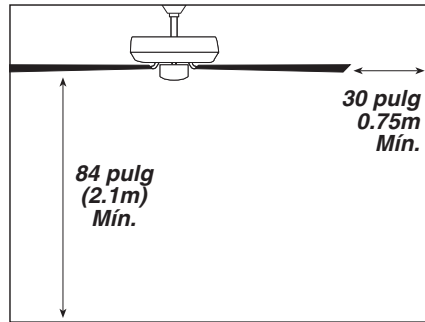


Instalación con vara hacia abajo
(cielos rasos abovedados)

3

Paso 3

Revise que las aspas queden por lo menos a 30" (76 cm) de toda obstrucción. Compruebe la longitud de la vara hacia abajo para que las aspas queden por lo menos a 7 pies (2 metros) del piso.



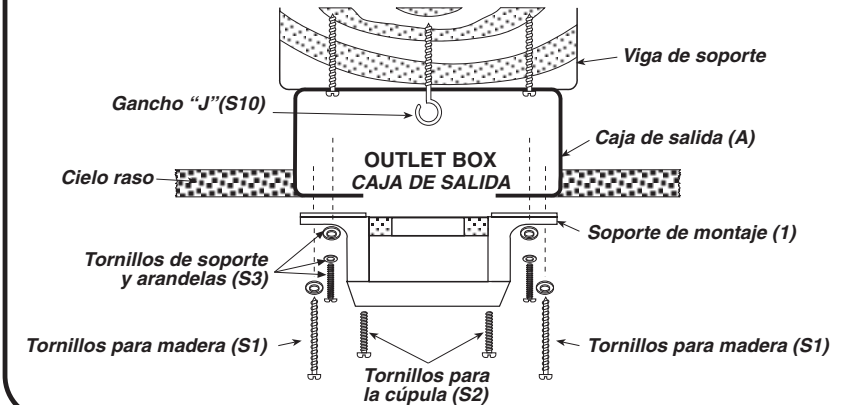
4

Paso 4

Antes de sujetar el soporte de montaje, atornille el gancho "J" (S10) en la caja de salida del techo como medio de soporte secundario. Asegure el soporte de montaje (1) a la caja de salida (A) apretando los tornillos del soporte y las arandelas (S3) como se muestra. Si no se monta en una caja de salida, use tornillos para madera (S1) y arandelas (S3), montando firmemente en una viga del cielo raso. En este punto deben insertarse los tornillos de cúpula (S2) en el soporte.

NOTA: No monte directamente en paneles de yeso o láminas de techo.

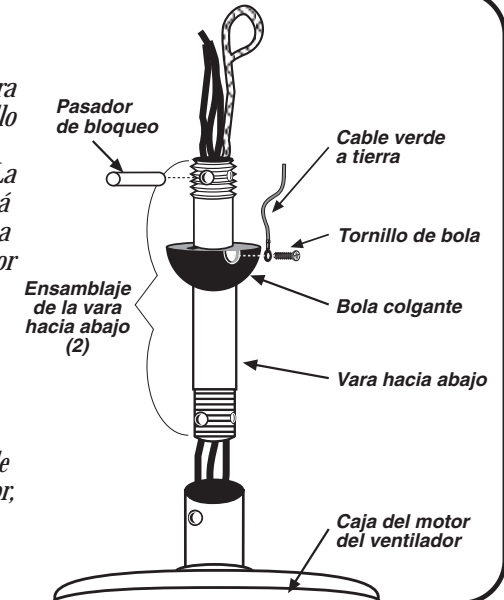
NOTA: La instalación del Gancho J es un requisito canadiense sólo.



5

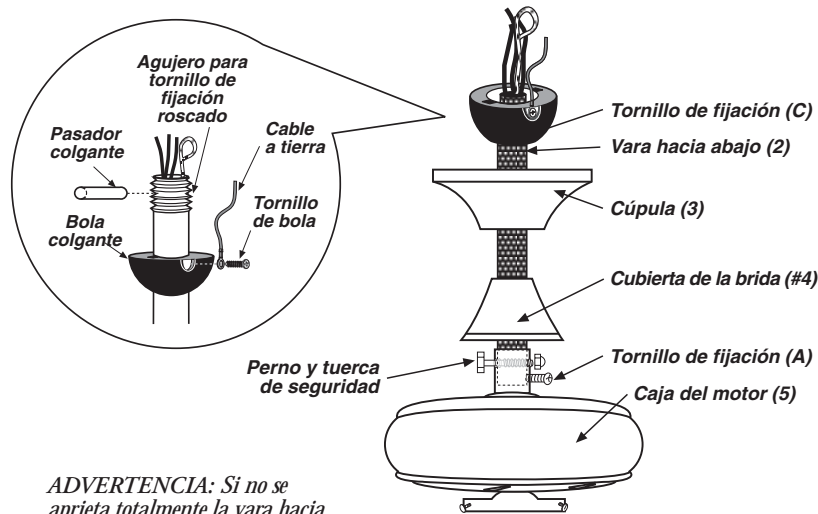
Paso 5

Ubique el ensamblaje de la vara hacia abajo (2). Suelte el tornillo de la bola negra colgante para liberar el pasador de bloqueo. La bola negra colgante se deslizará hacia abajo. Retire el tornillo a tierra y el cable a tierra de color verde. Retire la bola colgante de la vara hacia abajo y guarde todas las piezas. Inserte los cables del ventilador por la vara hacia abajo. Atornille la vara hacia abajo en el extremo superior de la caja del motor del ventilador, teniendo cuidado que hayan pasado los cables.



6**Paso 6**

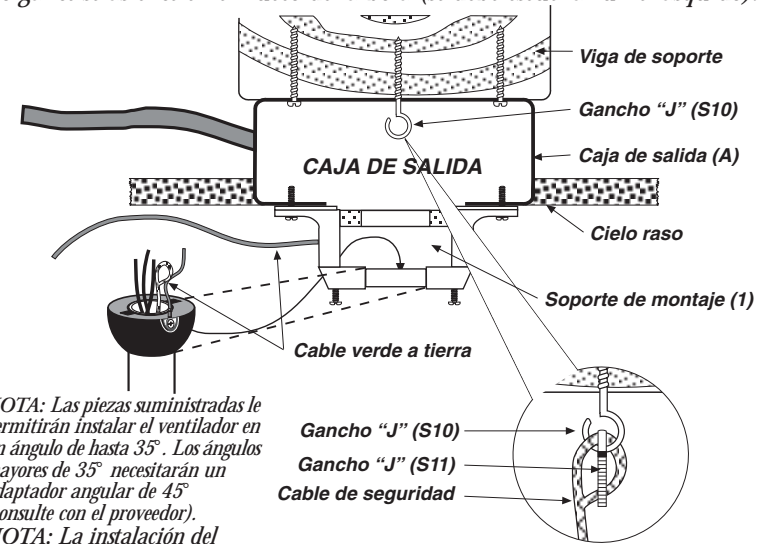
Sitúe la vara hacia abajo de manera que el agujero en la misma quede alineado con el agujero en el acoplamiento del motor. Inserte el perno de seguridad (S7) en el acoplamiento y la vara hacia abajo e instale la tuerca. Apriete bien. Apriete el tornillo de fijación "A" contra la vara hacia abajo. Coloque la cubierta de la brida (#4) sobre el ensamblaje de la vara hacia abajo hasta que cubra la brida. Coloque la cúpula (3) sobre la vara hacia abajo (#2). Reinstale la bola colgante, inserte el pasador colgante en la vara hacia abajo y apriete el tornillo de fijación "C" en la bola colgante al interior de la vara hacia abajo.



ADVERTENCIA: Si no se aprieta totalmente la vara hacia abajo como se describe en los pasos 5 y 6 anteriores podría soltarse y tal vez caerse el ventilador.

**7****Paso 7**

Para mayor seguridad, instale un lazo de alambre de acero desde el ventilador al gancho "J" (S10) en la caja de salida. Sujételo pasando la amarra (S11) por el cable de seguridad y el gancho "J". Apriete bien la amarra. Levante el ventilador hacia el soporte de montaje (1). Gire la caja hasta que la bola colgante se asiente en el hueco de la bola (se debe escuchar un chasquido).



NOTA: Las piezas suministradas le permitirán instalar el ventilador en un ángulo de hasta 35°. Los ángulos mayores de 35° necesitarán un adaptador angular de 45° (consulte con el proveedor).
NOTA: La instalación del Gancho J es un requisito canadiense sólo.

ADVERTENCIA: Móntelo en la caja de salida marcada "acceptable for fan support" (aceptable como soporte del ventilador) con los tornillos suministrados con la caja para reducir el riesgo de incendio o lesiones personales. La mayoría de las cajas de salida de uso común para el soporte de portalámparas no son aceptables para el soporte del ventilador y podría ser necesario reemplazarlas. Consulte con un electricista competente en caso de dudas.



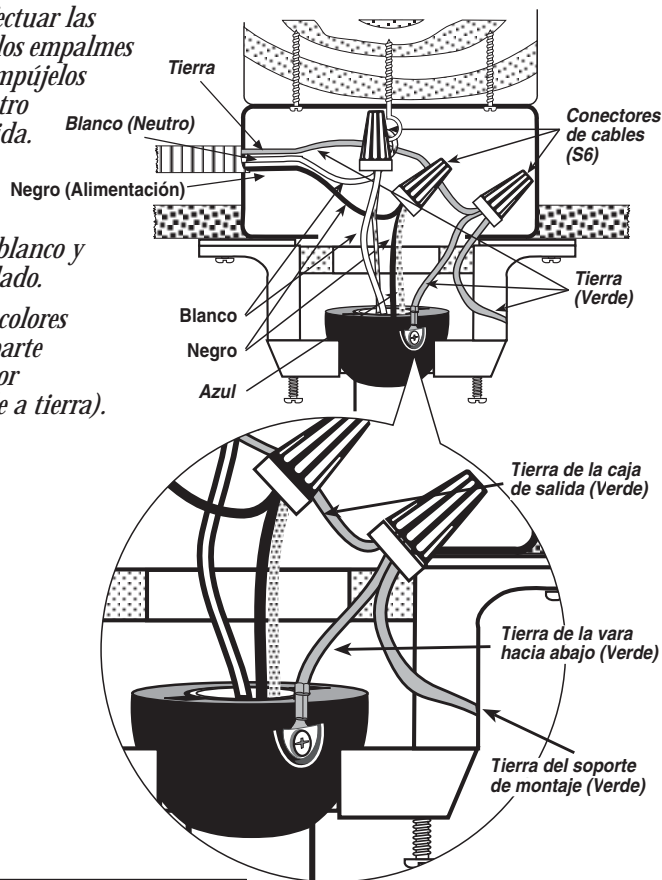
8

Paso 8

1. Conecte los cables del ventilador a los del techo: el cable blanco del ventilador con el cable blanco de salida, negro con negro y verde con verde. Se incluyen los conectores de cables (S6) para su conveniencia. Si hay un cable azul adicional, conéctelo también con el cable negro. (El paquete de iluminación opcional puede cablearse a interruptores individuales de pared, si se prefiere.)

2. Después de efectuar las conexiones, gire los empalmes hacia arriba y empújelos con cuidado dentro de la caja de salida. Separe los cables azul y negro en un lado de la caja y los cables blanco y verde en el otro lado.

Hay 4 cables de colores que salen de la parte superior del motor (incluido el cable a tierra).



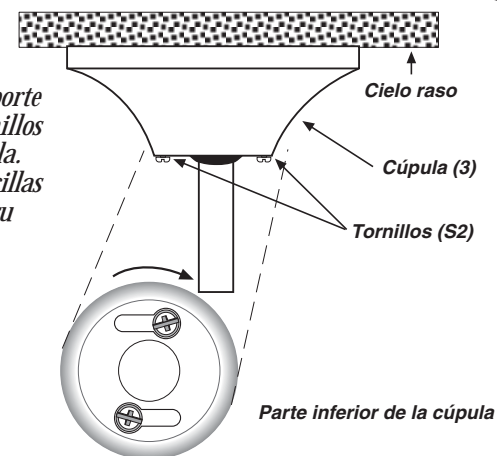
Conexiones de cables

Caja de salida	Cables del ventilador
Negro	Negro (Cable energizado para el ventilador)
Verde	Verde (Cable a tierra)
Blanco	Blanco (Cable neutro)
Negro	Azul (Cable del paquete de luces)

9

Paso 9

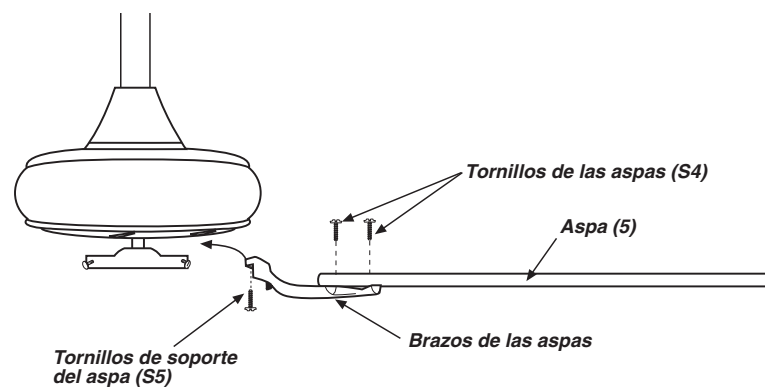
Instale la cúpula (3) en el soporte de montaje colocando los tornillos (S2) en la ranura de la cúpula. Gire en el sentido de las manecillas del reloj para bloquearla en su sitio. Apriete los tornillos firmemente.



10

Paso 10

Para montar las aspas, ponga el soporte del aspa (6), el aspa (5) de tal modo que todos los agujeros de los tornillos queden alineados (como se muestra en la figura más abajo). Utilizando los tornillos de las aspas (S4), insértelos a través de la parte superior del soporte del aspa, pasando por el aspa y dentro del ornamento. Apriete firmemente.



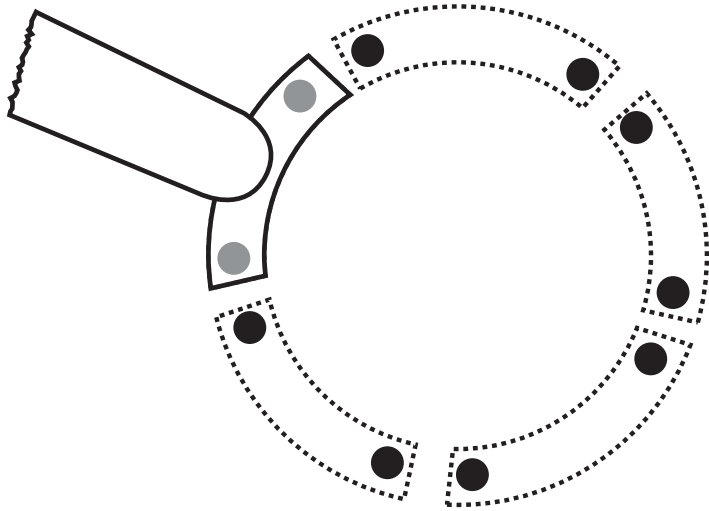
PRECAUCIÓN:

Instale los soportes de aspas en el motor solamente después de terminar la instalación del motor. Esto evitará daños a los soportes de las aspas, los cuales se han balanceado minuciosamente. **IMPORTANTE:** Retire los cojines de goma, guardando los tornillos del motor para la instalación.

11

Paso 11
Instalación de 5 aspas

Retire los cojines de goma, guardando los tornillos del motor para instalar las aspas. Utilizando los tornillos del motor (S5) provistos, forme fila hoyos del brazo de hoja con los hoyos en el motor que alberga. Apriete los tornillos firmemente.

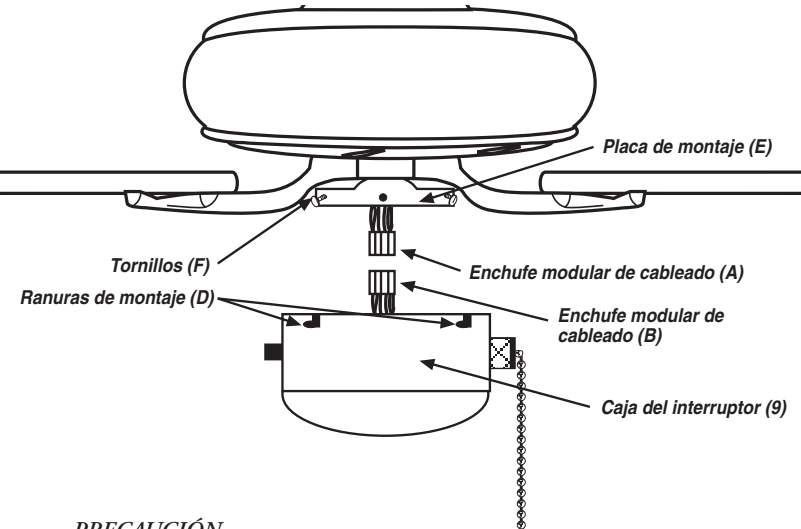
**12**

Paso 12

1. Para instalar el ensamblaje de la caja del interruptor (8), ubique ambos enchufes modulares de cableado (A) y (B). Uno se extiende desde la placa de montaje (E) en la parte inferior de la estructura del ventilador y el otro se extiende desde la caja del interruptor (8). Alinee los dos enchufes de tal modo que el seguro del lado de los enchufes se enganche al unirse. Una ambos enchufes firmemente hasta que se enganchen.

2. Encuentre los tornillos de la caja del interruptor (S9) Levante la caja del interruptor (8) y alinee las ranuras de montaje (D) con los orificios en la placa de montaje (E). Ya alineados los orificios, una la cubierta del ensamblaje del interruptor empleando los tornillos del ensamblaje del interruptor (S9) y apriete con firmeza.

IMPORTANTE: Revise que no haya cables atorados en las ranuras de montaje o apretados entre la caja del interruptor y la placa de montaje.



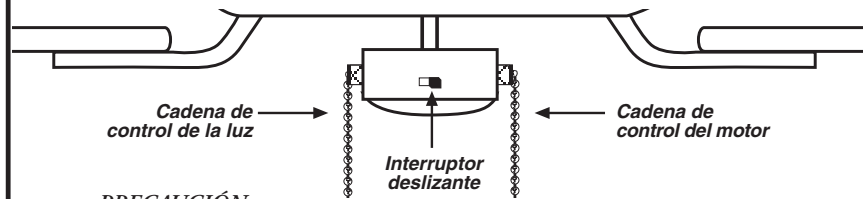
PRECAUCIÓN

⚠ Para reducir el peligro de lesiones físicas, NO doble los brazos de las aspas al instalarlos. Al balancear las aspas o limpiar el ventilador, no inserte objetos extraños entre las aspas giratorias.

13

Instrucciones de uso

1. La secuencia de funcionamiento del interruptor de cadena del motor es APAGADO-ALTO-MED-BAJO.
2. Mueva el interruptor deslizante hacia la DERECHA para accionar las aspas hacia ADELANTE y hacia la IZQUIERDA para accionarlas en REVERSA.
3. La cadena para jalar el interruptor tiene dos posiciones: ON/OFF.
4. La cadena de control para el interruptor de la luz dirigida hacia arriba está en posición encendida / apagada (on/off). **NOTA:** La luz dirigida hacia arriba necesita 3 bombillas tipo candelabro de 60 watts (no incluidas).

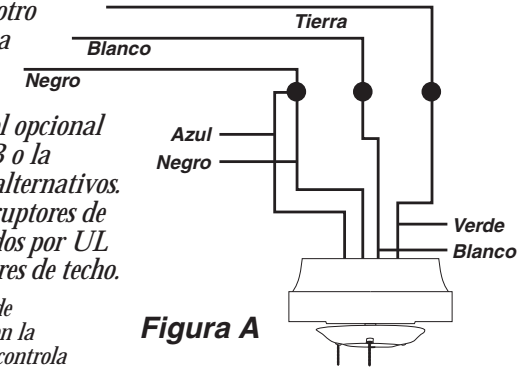
**PRECAUCIÓN**

Aun cuando se monte el ventilador con las aspas a más de 7 pies (2 m) del piso, tenga cuidado de no levantar los brazos ni ningún objeto que pueda obstruir el paso de las

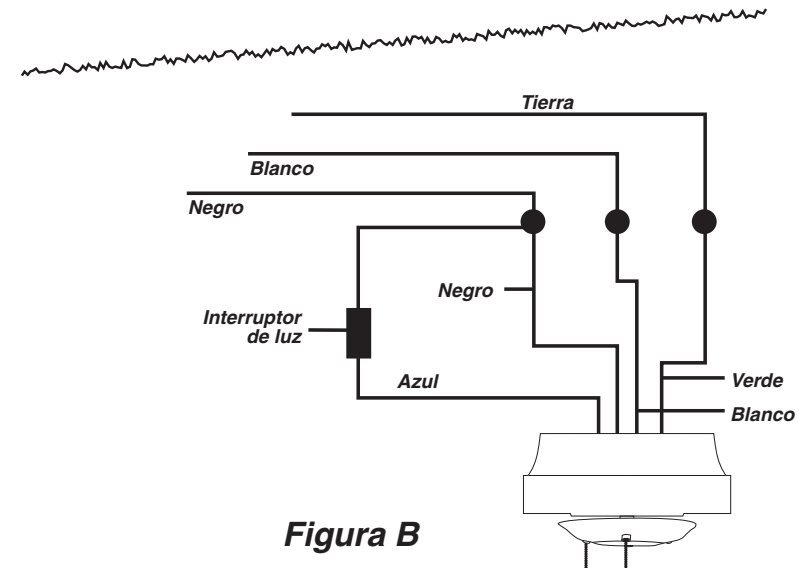
14

Conexiones eléctricas

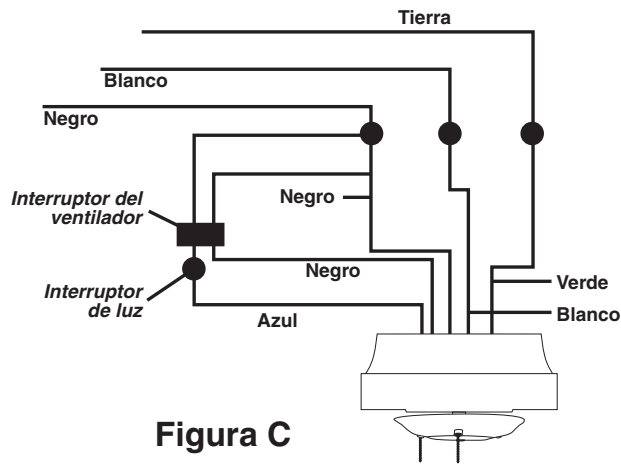
Conecte los cables negro y azul (si se incluyen) al cable de salida negro. Conecte el cable blanco del ventilador con el cable de salida blanco y el cable conductor de tierra verde desde el conductor de tierra al circuito de suministro (consulte la figura A). Use los conectores de cable provistos con el ventilador. No debe haber hebras ni conexiones sueltas. Después de conectar los cables, deben separarse de tal modo que el verde y el blanco queden en un lado de la caja de salida y el negro y el azul queden en el otro lado. Gire los empalmes hacia arriba y empuje con cuidado todo el cableado dentro de la caja de salida. Para el control opcional de pared, consulte la figura B o la figura C para ver cableados alternativos. Cuando se empleen los interruptores de pared, éstos deben estar listados por UL para utilizarse con ventiladores de techo.

**Figura A**

NOTA: Revise que el interruptor de encendido y apagado siempre esté en la "velocidad alta" si el ventilador se controla mediante un interruptor adicional de pared.

**Figura B**

Conexiones eléctricas Continuación...



Problemas Comunes

Problema A: El ventilador no arranca

- Soluciones:
1. Revise el fusible o disyuntor y cámbielo si es necesario.
 2. Apague la alimentación eléctrica y revise todos los conectores de cables.
 3. Inspeccione el interruptor TCS de encendido / apagado y el interruptor selector de control para la pared. Consulte las instrucciones de funcionamiento.

Problema B: El ventilador es demasiado ruidoso

- Soluciones:
1. Revise que estén apretados y debidamente asentados todos los tornillos del ensamblaje del ventilador.
 2. Compruebe que el soporte de montaje esté instalado correctamente.
 3. Compruebe que la unidad de luz y el vidrio estén correctamente instalados y apretados.
 4. Si se usa el control de pared, revise que no sea del tipo transformador o de velocidad variable.

Problema C: El ventilador se balancea

- Soluciones:
1. Revise que todas las aspas estén atornilladas firmemente en sus soportes.
 2. Revise que todos los soportes de las aspas estén atornilladas firmemente en el motor.
 3. Revise el peso de las aspas. Todas nuestras aspas se pesan en balanzas electrónicas. El peso aparece en el reverso del aspa cerca del extremo del motor. Todas las aspas deben tener el mismo peso para evitar que el ventilador se balancee.
 4. Se adjunta un paquete de balanceo, si es necesario.

Peso: El peso del ventilador completo, incluido el herraje de montaje es de 17 lbs. (7.7 kg).



Ventilateurs de plafond Civic

CI52

Veuillez lire et conserver ces consignes de sécurité

1. Pour éviter de vous électrocuter, débranchez l'alimentation électrique au niveau de l'interrupteur principal avant de procéder au câblage ou à l'entretien du ventilateur.
2. Tout le câblage doit être effectué en accord avec le code électrique national américain (ANSI/NFPA 70-1999) et les codes électriques locaux. L'installation électrique doit être effectuée par un électricien professionnel qualifié.
3. Une fois que les connexions ont été effectuées, les fils doivent être séparés. Le conducteur mis à la masse et le conducteur de mise à la masse de l'équipement doivent être mis d'un côté de la boîte de sortie et le conducteur non mis à la masse de l'autre côté.
4. Une fois qu'elles ont été faites, les épissures doivent être tournées vers le haut et les fils doivent être soigneusement rentrés dans la boîte de sortie.
5. Le conducteur mis à la masse du ventilateur doit être branché sur le conducteur mis à la masse de l'alimentation électrique, et le conducteur non mis à la masse du ventilateur doit être branché sur le conducteur non mis à la masse de l'alimentation électrique. Le conducteur du ventilateur destiné à la mise à la masse de l'équipement doit être connecté à un conducteur de mise à la masse de l'équipement.
6. Le ventilateur ne peut être installé dans un endroit où il pourrait être mouillé.
7. Pour éviter les incendies, les décharges électriques ou les blessures, branchez le ventilateur sur une boîte de sortie marquée « Prise en charge de ventilateur » et utilisez les vis de montage fournies avec la boîte de sortie.
8. Par mesure de sécurité et pour obtenir les meilleurs résultats possibles, nous vous conseillons de faire assembler et installer votre ventilateur par un électricien professionnel.
9. ATTENTION : pour éviter les incendies ou les décharges électriques, n'utilisez jamais ce ventilateur avec un dispositif de contrôle de la vitesse à l'état solide.
10. Pour éviter de vous blesser, ne pliez jamais les supports de pales lorsque vous les installez, les équilibrez ou que vous nettoyez le ventilateur. N'insérez jamais d'objet entre les pales en mouvement du ventilateur.

Avant l'assemblage

1. Vérifiez que la tension du ventilateur (120) est compatible avec votre système électrique.
2. Assurez-vous que le carton d'emballage contient toutes les pièces mentionnées dans la liste des pièces.

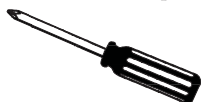
REMARQUE : une fois le moteur déballé, placez-le sur un tissu doux pour éviter que sa surface décorée ne soit endommagée.

ATTENTION : avant de procéder à l'installation du ventilateur, choisissez un endroit où ses pales seront à une distance d'au moins 2 m (7 pi) de tout objet environnant et du sol. Installez une boîte de sortie au plafond ou bien utilisez une boîte existante.

ATTENTION : n'installez pas le ventilateur sur des cloisons sèches ou du plâtre. Pour que l'appareil soit correctement fixé, accrochez les supports de montage à une poutrelle ou à une poutre au moyen des deux vis à bois n° 1. Si l'emplacement choisi n'a pas de poutre de soutien acceptable, installez une armature de 2 po X 4 po entre les poutrelles du plafond pour y accrocher le ventilateur

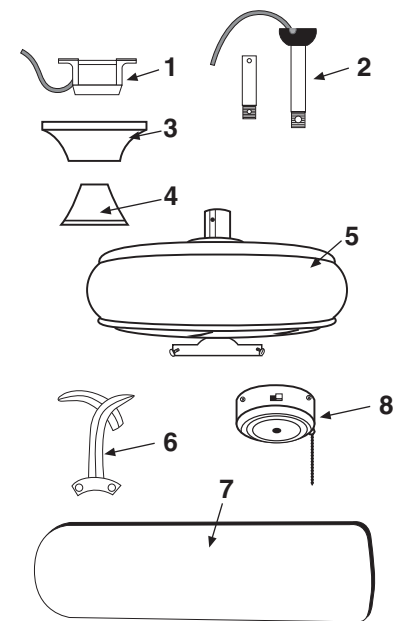
Outils nécessaires à l'installation

1. Tournevis Phillips
2. Clé réglable
3. Pince à becs pointus

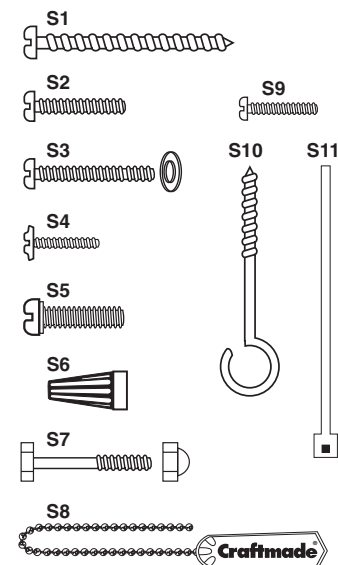


Composants inclus

Pièces	Quantité
1. Support de montage	1
2. Assemblage de la tige de suspension Tige de 6 x 15 cm (2 po x 4 po) (Utilisez la longueur désirée)	1
3. Coupelle	1
4. Couvre-bride	1
5. Boîtier du ventilateur et du moteur	1
6. Bras de pale	5
7. Pales (vendues séparément)	5
8. Assemblage du boîtier de l'interrupteur	1
9. Kit d'équilibrage	1



Paquet de vis	Quantité
S1. Vis à bois	2
S2. Vis (pour coupelle)	3
S3. Vis et rondelles des supports	2
S4. Vis des pales	16
S5. Vis du moteur (quatre vis sur le moteur)	11
S6. Connecteurs de fils	3
S7. Boulon et écrou de sécurité	1
S8. Chaînes de traction	2
S9. Vis du boîtier d'interrupteur	1
S10. Crochet en « J »	1
S11. Bride	1



Préparation



Important: lorsque vous utilisez une boîte de sortie existante, assurez-vous que cette dernière est correctement attachée à la structure du bâtiment et qu'elle peut soutenir le poids total du ventilateur. Le non-respect de cette consigne peut entraîner de graves blessures, voire la mort.

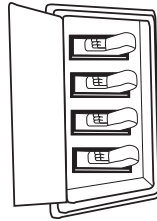
1

Étape 1

Désactivez les disjoncteurs et l'interrupteur mural régissant les conducteurs d'alimentation du ventilateur.



Avertissement: le non débranchement de l'alimentation électrique avant l'installation du ventilateur peut entraîner de graves blessures, voire la mort. Pour éviter les décharges électriques, ce ventilateur doit être installé avec un interrupteur mural isolant.



2

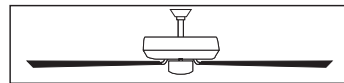
Étape 2

Choisissez la méthode de montage que vous désirez utiliser.

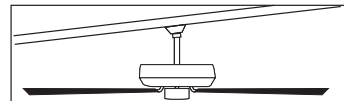
A. Montage à l'aide d'une tige de suspension

B. Montage sur une surface inclinée
Pièce Craftmade n°45AD
(consultez votre revendeur)

IMPORTANT: si vous utilisez la méthode de montage inclinée, vérifiez que l'angle du plafond est inférieur à 35°. Si votre plafond est incliné à un angle supérieur à 35°, vous devrez utiliser un adaptateur d'angle à 45°



Montage à l'aide d'une tige de suspension
(Plafonds normaux)

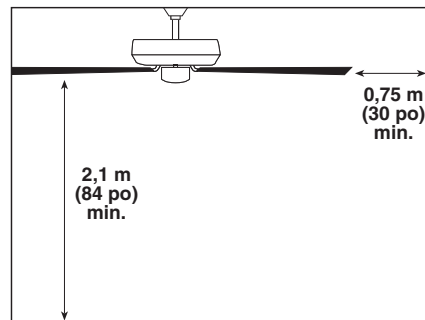


Montage à l'aide d'une tige de suspension
(Plafond en pente)

3

Étape 3

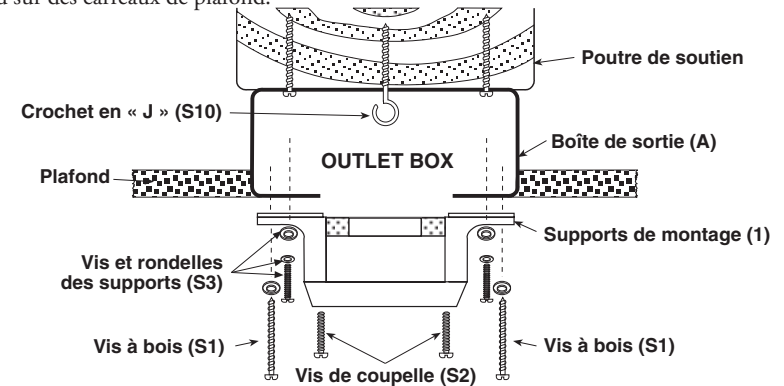
Assurez-vous que les pales du ventilateur sont à 75 cm (30 po) minimum de toute obstruction. Mesurez la tige de suspension pour vous assurer que les pales sont à au moins 2 mètres (7 pi) du sol.



4

Étape 4

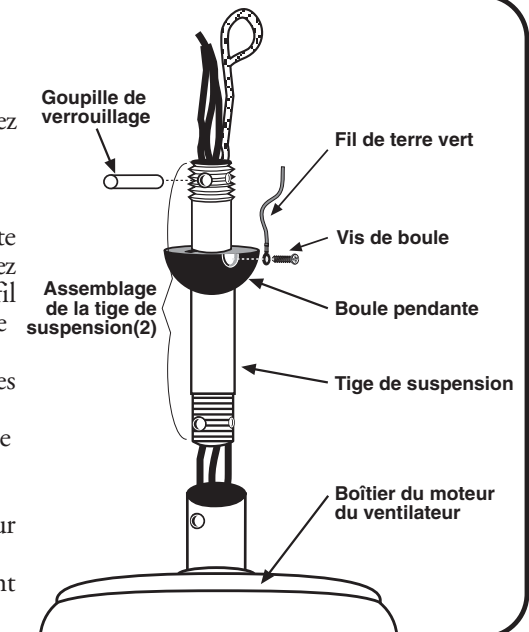
Avant de fixer le support de montage, vissez le crochet en «J» (S10) sur la boîte de sortie du plafond, pour qu'il serve de dispositif de soutien supplémentaire. Fixez le support de montage (n° 1) à la boîte de sortie (A) en resserrant les vis (S3) et les rondelles (S4) de support de la manière illustrée. Si vous n'installez pas le ventilateur sur une boîte de sortie, utilisez les vis à bois (S1) et les rondelles (S4) pour installer solidement l'appareil à une poutre du plafond. N'oubliez pas d'insérer les vis de la coupelle (S2) dans le support. **REMARQUE :** n'installez pas le ventilateur directement sur du plâtre ou sur des carreaux de plafond.



5

Étape 5

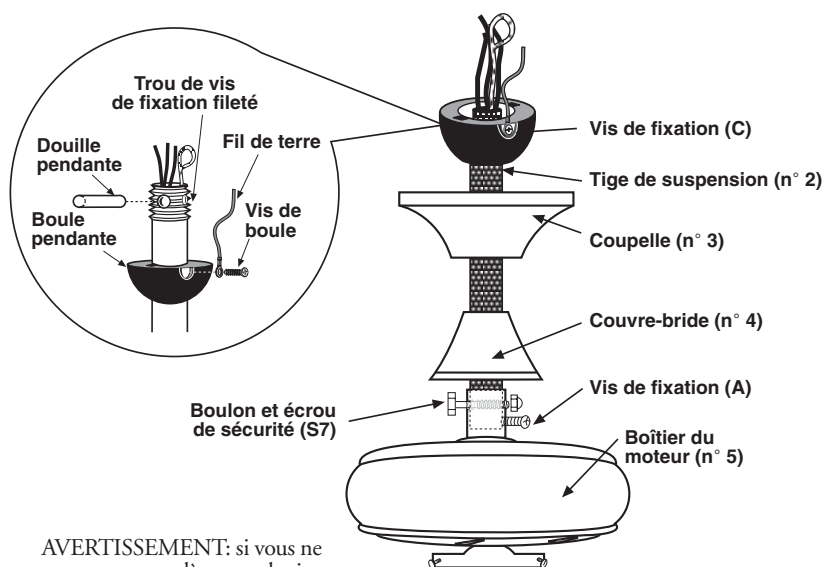
Repérez l'assemblage de tige de suspension (n° 2). Desserrez la vis de boule située sur la boule pendante noire pour dégager la goupille de verrouillage. La boule pendante noire glissera vers le bas. Retirez la vis de mise à la terre et le fil de terre vert. Retirez la boule pendante de la tige de suspension et conservez toutes les pièces. Insérez les fils du ventilateur à travers la tige de suspension. Vissez la tige de suspension dans la partie supérieure du boîtier de moteur du ventilateur, en faisant attention à ce que les fils soient complètement passés.



6

Étape 6

Placez la tige de suspension de manière à ce que son trou soit aligné avec celui de l'attelage du moteur. Insérez le boulon de sécurité (S7) dans l'attelage et la tige de suspension et fixez l'écrou. Serrez fermement. Serrez la vis de fixation « A » contre la tige de suspension. Enfoncez le couvre-bride (n° 4) sur l'assemblage de la tige de suspension jusqu'à ce qu'il couvre la bride. Placez la coupelle (3) sur la tige de suspension (n° 2). Remplacez la boule pendante. Pour cela, insérez la douille pendante dans la tige de suspension et serrez la vis de fixation « C » dans la boule pendante jusqu'à ce qu'elle pénètre dans la tige de suspension.



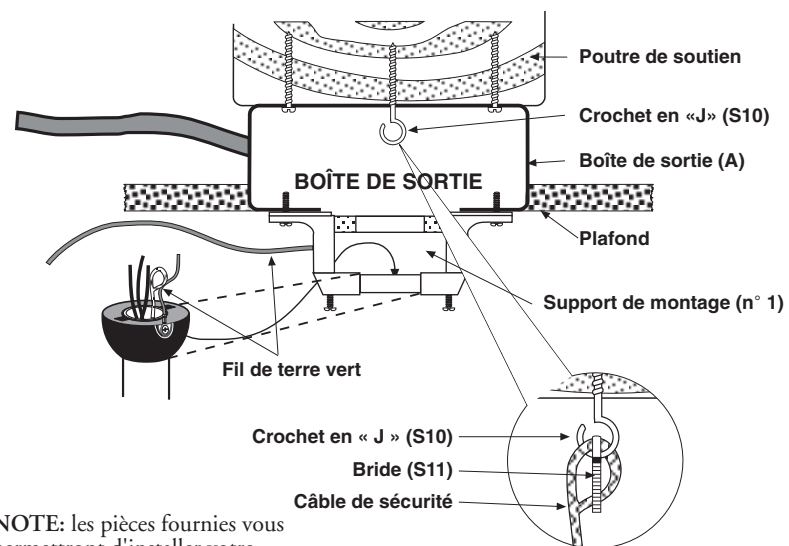
AVERTISSEMENT: si vous ne serrez pas complètement la tige de suspension en suivant les instructions des étapes 5 et 6, le ventilateur peut se desserrer et éventuellement tomber.



7

Étape 7

Pour plus de sécurité, attachez le câble de sécurité du ventilateur au crochet en « J » (S10) accroché dans la boîte de sortie. Fixez l'installation en faisant passer la bride (S11) dans le câble de sécurité et dans le crochet en « J ». Serrez fortement la bride. Installez le ventilateur sur le support de montage (n° 1). Faites pivoter le boîtier jusqu'à ce que la boule pendante s'installe dans son réceptacle (vous devriez entendre un dé clic).



NOTE: les pièces fournies vous permettront d'installer votre ventilateur à un angle de 35°. Pour toute installation à un angle supérieur à 35°, vous aurez besoin d'un adaptateur d'angle à 45° (consultez votre revendeur).

AVERTISSEMENT : Pour éviter les incendies, les décharges électriques ou les blessures, branchez le ventilateur sur une boîte de sortie marquée « acceptable for fan support » (prise en charge de ventilateur) et utilisez les vis de montage fournies avec la boîte de sortie. La plupart des boîtes de sortie utilisées avec les dispositifs d'éclairage ne prennent pas en charge les ventilateurs et doivent être éventuellement remplacées. En cas de doute, consultez un électricien qualifié.



8

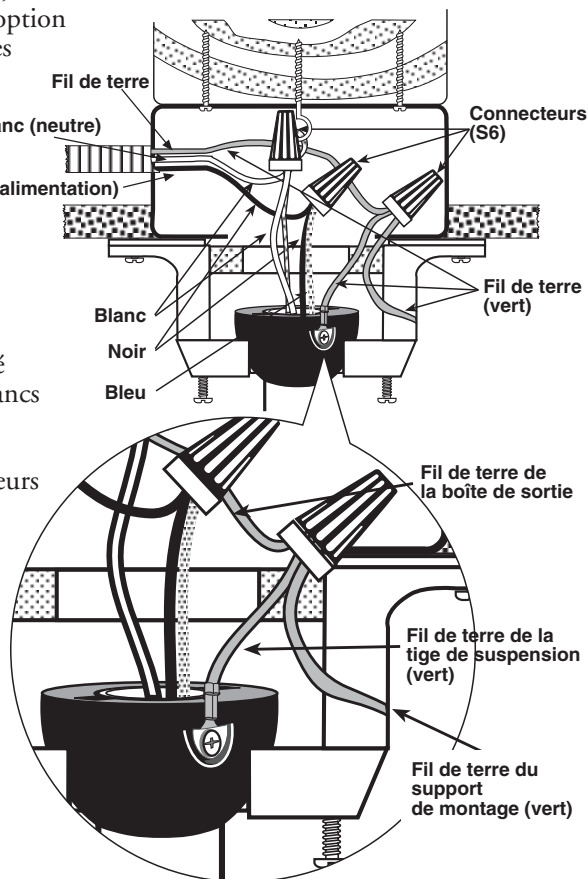
Étape 8

1. Connectez les fils du ventilateur à ceux du plafond : le fil de ventilateur blanc au fil de sortie blanc, le fil noir au fil noir et le fil vert au fil vert. Les connecteurs (S6) sont fournis au cas où vous en auriez besoin. S'il existe un fil bleu supplémentaire, connectez-le au fil noir.

(Un kit d'éclairage en option peut être connecté à des interrupteurs muraux).

2. Une fois que les connexions ont été effectuées, tournez les épissures vers le haut et faites rentrer soigneusement le câblage dans la boîte de sortie. Placez les fils bleus et noirs d'un côté de la boîte et les fils blancs et verts de l'autre côté.

Des fils de quatre couleurs différentes sortent du dessus du moteur (y compris le fil de terre).



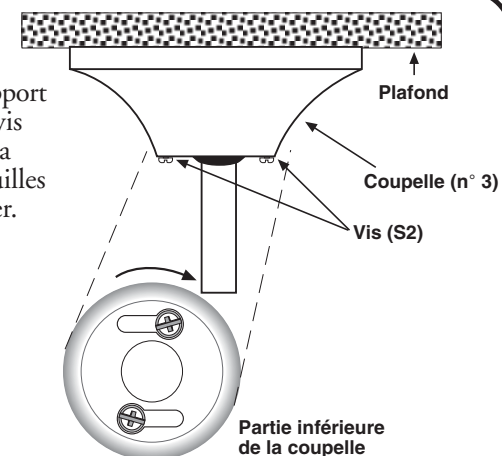
Fils de connexion

Boîte de sortie	Fils du ventilateur
Noir	Noir (Fil chargé du ventilateur)
Vert	Vert (Fil de terre)
Blanc	Blanc (Fil neutre)
Noir	Bleu (Fil du kit d'éclairage)

9

Étape 9

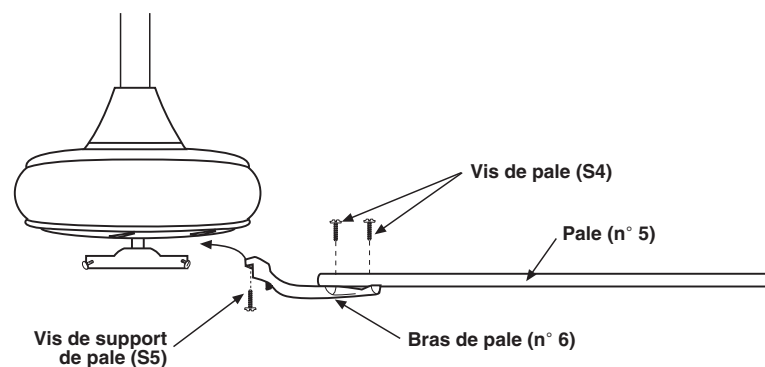
Fixez la coupelle (n° 3) au support de montage en insérant les vis (S2) dans ses fentes. Faites-la tourner dans le sens des aiguilles d'une montre pour l'installer. Serrez fortement les vis.



10

Étape 10

Pour monter les pales, placez le support de pales (n° 6) et la pale (n° 5) de manière à ce que les trous de vis soient alignés comme sur la figure ci-dessous. Insérez les vis des pales (S4) dans la partie supérieure du support de pales, à travers la pale et dans la décoration de la pale. Serrez-les fermement.

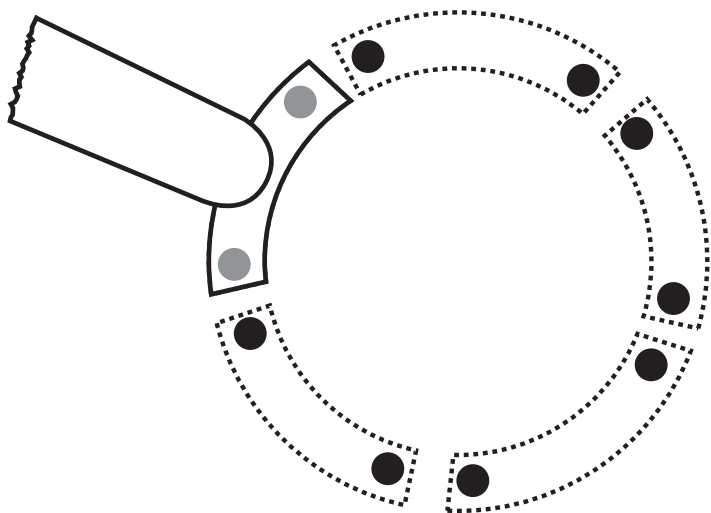


ATTENTION: ne fixez les supports de pales au moteur que lorsque ce dernier est totalement installé. Ainsi vous n'endommagerez pas les supports de pale qui ont été soigneusement équilibrés.
IMPORTANT: enlevez les coussinets de mousse en caoutchouc et conservez les vis de moteur pour l'installation.

11

Étape 11 Installation des 5 pales

Enlevez les coussinets de mousse et conservez les vis de moteur pour l'installation des pales. À l'aide des vis de moteur fournies (S5), alignez les trous du bras de pale avec ceux du boîtier de moteur. Serrez fermement les vis.

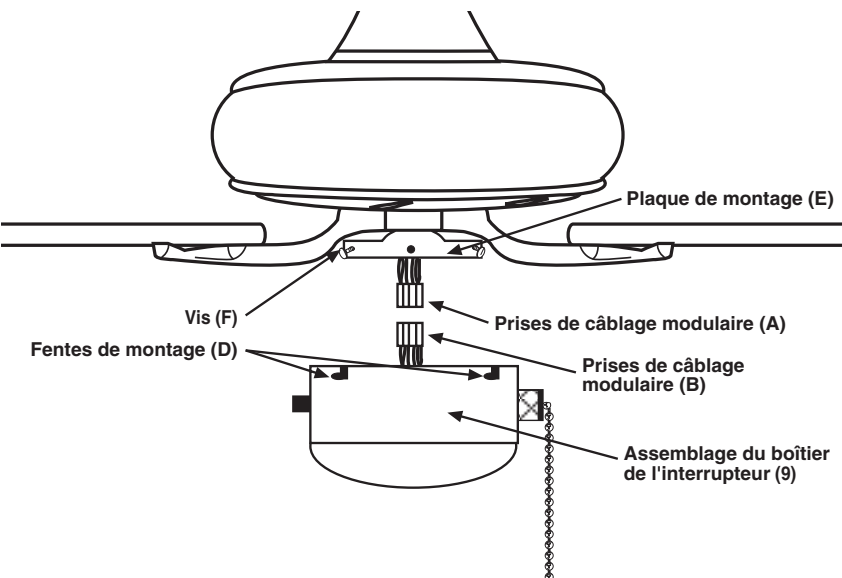
**12**

Étape 12

1. Pour installer l'assemblage de boîtier d'interrupteur (n° 8), repérez les prises de câblage modulaire (A) et (B). L'une d'entre elles sort de la plaque de montage (E), au bas du corps du ventilateur et l'autre sort du boîtier d'interrupteur (n° 8). Alignez les deux prises de manière à ce que les verrous situés sur leurs côtés puissent s'enclencher. Enfoncez fermement les deux prises jusqu'à ce qu'elles s'emboîtent.

2. Repérez les fils de boîtier d'interrupteur (S9). Soulevez le couvercle de boîtier d'interrupteur (n° 8) et alignez les trous de montage avec les trous de la plaque de montage (E). Une fois que les trous sont alignés, fixez le couvercle de boîtier d'interrupteur au moyen des vis de boîtier d'interrupteur (S9) et serrez-les fermement.

IMPORTANT : vérifiez qu'aucun fil n'a été coincé ou pincé durant le montage.



ATTENTION

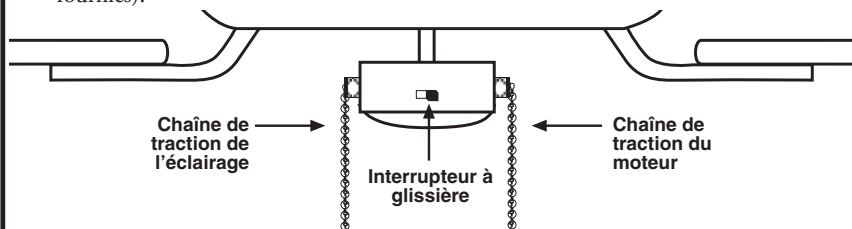


Pour réduire les risques de blessures corporelles, NE tordez PAS les bras de pale lorsque vous les installez. Lors de l'équilibrage des pales ou du nettoyage du ventilateur, n'insérez pas d'objets étrangers entre les pales d'un ventilateur en mouvement.

13

Mode d'emploi

1. La séquence de fonctionnement de la chaîne de traction/interrupteur du moteur est OFF-HI-MED-LOW.
2. Faites glisser l'interrupteur vers la DROITE pour faire tourner le ventilateur EN AVANT ou faites-le glisser vers la GAUCHE pour faire tourner les pales dans l'autre sens.
3. La chaîne de traction/interrupteur de l'éclairage a deux positions : ON/OFF [MARCHE/ARRÊT].
4. La chaîne de traction/interrupteur de l'éclairage vers le haut a deux positions : ON/OFF. REMARQUE : l'éclairage vers le haut nécessite 3 ampoules candélabres de 60 W. (Non fournies).



! ATTENTION: même si les pales de votre ventilateur sont installées à plus 2 mètres du sol, évitez toujours de placer vos bras ou tout objet sur leur chemin de rotation.

14

Connexions électriques

Branchez les fils bleu et noir du ventilateur (s'ils sont fournis) sur le fil noir de la boîte de sortie. Connectez le fil blanc du ventilateur au fil blanc de la boîte de sortie et connectez le fil de terre vert sortant du conducteur de mise à la terre au circuit d'alimentation (voir la figure A). Utilisez les connecteurs fournis avec votre ventilateur. Il ne peut y avoir de fil ou de connexion desserrée. Une fois que les fils ont été connectés, ils doivent être séparés de manière à ce que les fils vert et blanc soient d'un côté de la boîte de sortie et que les fils noir et bleu soient de l'autre côté. Faites pivoter les épissures vers le haut et faites soigneusement rentrer tous les fils dans la boîte de sortie. Consultez les figures B ou C pour obtenir un câblage différent, vous permettant de contrôler votre ventilateur à partir du mur. Les interrupteurs muraux utilisés doivent être homologués UL pour pouvoir fonctionner avec des ventilateurs de plafond.

REMARQUE : assurez-vous que l'interrupteur on/off [marche arrêt] du ventilateur est toujours sur « HIGH SPEED » si votre ventilateur est commandé par un interrupteur mural supplémentaire.

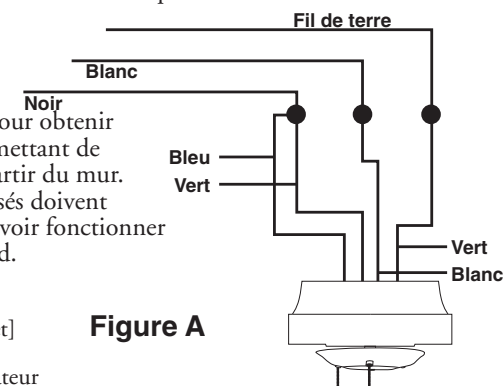


Figure A

Connexions électriques (suite)

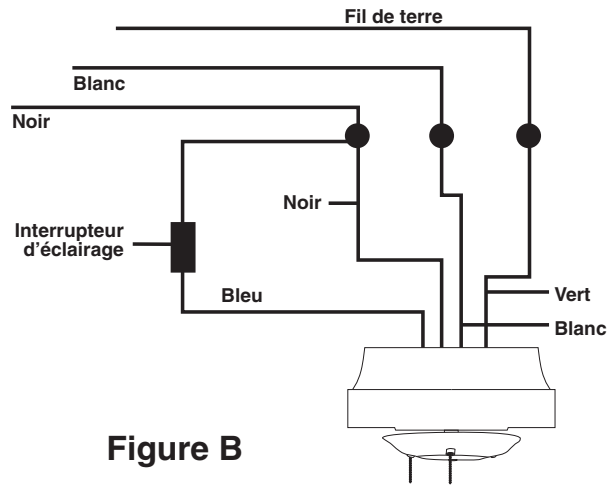


Figure B

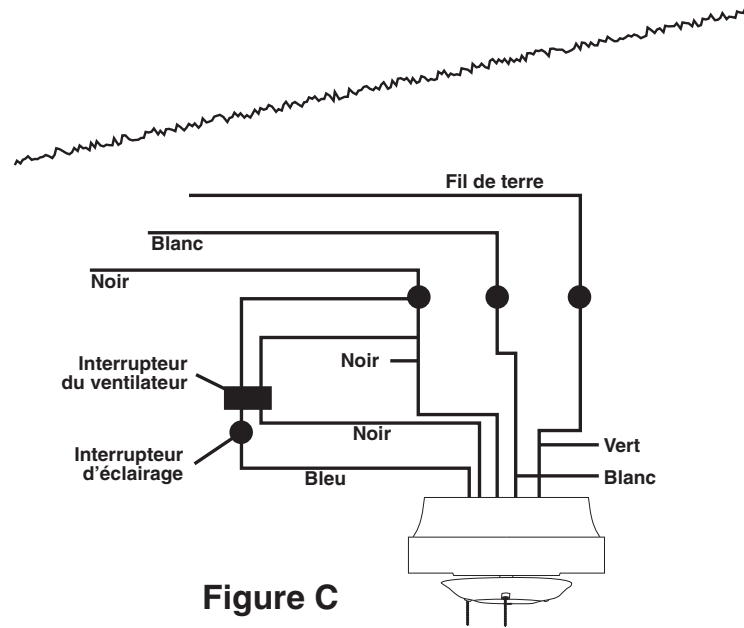


Figure C

Problèmes fréquents

Problème A : Le ventilateur ne démarre pas

Solution : 1. Vérifiez les fusibles ou le disjoncteur et remplacez-les si besoin est.
2. Coupez l'alimentation électrique et vérifiez tous les connecteurs.
3. Vérifiez les interrupteurs on/off ainsi que l'interrupteur de commande mural. Consultez le mode d'emploi.

Problème B : Le ventilateur fait trop de bruit

Solution : 1. Vérifiez que toutes les vis du ventilateur sont serrées et correctement installées.
2. Assurez-vous que le support de montage est correctement installé.
3. Assurez-vous que le kit d'éclairage et le verre ont été correctement réinstallés et fixés.
4. Si vous utilisez une commande murale, assurez-vous qu'il ne s'agit pas d'un transformateur ou d'une commande à vitesse variable.

Problème C : Le ventilateur oscille

Solution : 1. Vérifiez que toutes les pales sont correctement vissées sur les supports de pales.
2. Vérifiez que tous les supports de pales sont vissés fermement sur le moteur.
3. Vérifiez le poids des pales. Toutes nos pales sont pesées sur des balances électroniques. Le poids est marqué sur le dos de la pale, à côté de l'extrémité du moteur. Toutes les pales doivent avoir le même poids pour que le ventilateur n'oscille pas.
4. Un kit d'équilibrage des pales est fourni avec l'appareil.

Poids: un ventilateur complet, c'est-à-dire avec le matériel d'assemblage, pèse 17 lbs. (7.7 kg)