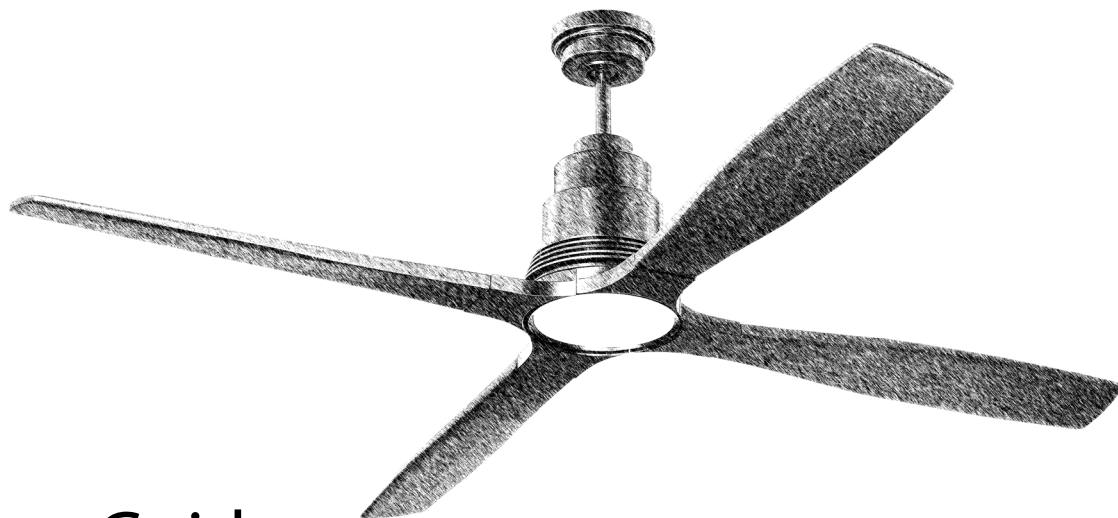


CRAFTMADE™

READ THESE INSTRUCTIONS AND
SAVE THEM FOR FUTURE USE



Ricasso

Installation Guide

For Model:
RIC60

Table of Contents:

- Safety Tips. pg. 2
- Unpacking Your Fan. pg. 3
- Parts Inventory. pg. 3
- Installation Preparation. pg. 4
- Hanging Bracket Installation. pg. 4
- Fan Assembly. pgs. 5 - 6
- Wiring. pg. 7
- Canopy Assembly. pg. 8
- Blade Assembly. pg. 8
- Light Kit Assembly. pg. 9
- Handheld Remote Control Assembly. pg. 10
- Automated Learning Process./
 Activating Code. pg. 11
- Remote/Wall Control Operation. pg. 11
- Testing Your Fan. pg. 12
- Troubleshooting. pg. 13
- Warranty. pg. 13
- Parts Replacement. pg. 13



net weight of fan: 17.64 lb (8.00 kg)

SAFETY TIPS.

WARNING: To reduce the risk of electrical shock, turn off the electricity to the fan at the main fuse box or circuit panel before you begin the fan installation or before servicing the fan or installing accessories.

1. **READ ALL INSTRUCTIONS AND SAFETY INFORMATION CAREFULLY BEFORE INSTALLING YOUR FAN AND SAVE THESE INSTRUCTIONS.**

CAUTION: To avoid personal injury, the use of gloves may be necessary while handling fan parts with sharp edges.

2. Make sure all electrical connections comply with Local Codes or Ordinances, the National Electrical Code, and ANSI/NFPA 70-1999. If you are unfamiliar with electrical wiring or if the house/building wires are different colors than those referred to in the instructions, please use a qualified electrician.
3. Make sure you have a location selected for your fan that allows clear space for the blades to rotate, and at least seven (7) feet (2.13 meters) of clearance between the floor and the fan blade tips. The fan should be mounted so that the tips of the blades are at least thirty (30) inches (76 centimeters) from walls or other upright structures.
4. The outlet box and ceiling support joist used must be securely mounted, and capable of supporting at least 35 pounds (16 kilograms). The box must be supported directly by the building structure. Use only CUL (Canada) or UL (USA) listed outlet boxes marked "FOR FAN SUPPORT."

WARNING: To reduce the risk of fire, electrical shock, or personal injury, mount to the outlet box marked "Acceptable for Fan Support of 15.9 kg (35 lb) or less," and use the mounting screws provided with the outlet box. Most outlet boxes commonly used for the support of lighting fixtures are not acceptable for fan support and may need to be replaced. Consult a qualified electrician if in doubt.

WARNING: To reduce the risk of fire, electrical shock, or personal injury, wire connectors provided with this fan are designed to accept only one 12 gauge house wire and two lead wires from the fan. If your house wire is larger than 12 gauge or there is more than one house wire to connect to the corresponding fan lead wires, consult an electrician for the proper size wire connectors to use.

5. Electrical diagrams are for reference only.
6. After installation is complete, check that all connections are absolutely secure.
7. After making electrical connections, spliced conductors should be turned upward and pushed carefully up into the outlet box. The wires should be spread apart with the grounded conductor and the equipment-grounding conductor on opposite sides of the outlet box.

WARNING: To reduce the risk of serious bodily injury, DO NOT use power tools to assemble any part of the fan, including the blades.

WARNING: To reduce the risk of fire or electrical shock, do not use this fan with any solid state speed control device or control fan speed with a full range dimmer switch. [Using a full range dimmer switch to control fan speed will cause a loud humming noise from fan.]

8. Do not operate the reverse switch until fan has come to a complete stop. [**Note:** If using remote control with reverse capability, reverse fan blade direction only when on LOW speed.]

WARNING: To reduce the risk of personal injury, do not insert objects into the path of the blades.

WARNING: To avoid personal injury or damage to the fan and other items, be cautious when working around or cleaning the fan.

9. Do not use water or detergents when cleaning the fan or fan blades. A dry dust cloth or lightly dampened cloth will be suitable for most cleaning.

WARNING: To reduce the risk of personal injury, use **only** parts provided with this fan. **The use of parts OTHER than those provided with this fan will void the warranty.**

WARNING: This fan MUST be installed with the safety cable provided with the fan. Failure to use the safety cable provided may result in personal injury, damage to the fan or damage to other property.

CAUTION: Metal cover for use without light kit will be HOT if light is left on. To reduce the risk of personal injury, light kit must be OFF. Do NOT use light buttons on remote if installing metal cover.

CAUTION: Do NOT tamper with or attempt to repair LED component of fixture. The light source is designed for this specific application and should not be serviced by untrained personnel. If any servicing is required, call our customer service department.

10. Light kit is dimmable to 10% with select dimmers.

Modifications not approved by the party responsible for compliance could void the user's authority to operate the equipment. [The equipment refers to the remote and/or wall control and/or LED light kit.]

NOTE: This equipment has been tested and found to comply with the limits for a Class B digital device, pursuant to Part 15 of the FCC Rules. These limits are designed to provide reasonable protection against harmful interference in a residential installation. This equipment generates, uses and can radiate radio frequency energy and, if not installed and used in accordance with the instructions, may cause harmful interference to radio communications. However, there is no guarantee that interference will not occur in a particular installation. If this equipment does cause harmful interference to radio or television reception, which can be determined by turning the equipment off and on, the user is encouraged to try to correct the interference by one or more of the following measures:

- * Reorient or relocate the receiving antenna.
- * Increase the separation between the equipment and receiver.
- * Connect the equipment into an outlet on a circuit different from that to which the receiver is connected.

Consult the dealer or an experienced radio/TV technician for help.

The LED light kit complies with Part 15 of the FCC Rules. Operation is subject to the following two conditions: (1) this LED light kit may not cause harmful interference, (2) this LED light kit must accept any interference received, including interference that may cause undesired operation.

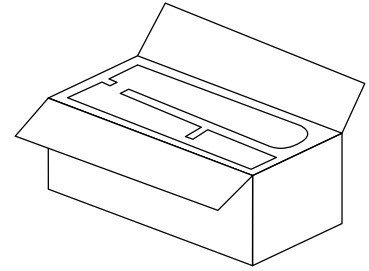
Distributed by: Craftmade, 3901 S. 20th Avenue, DFW Airport, TX 75261; 1-800-486-4892

NOTE: The important safety precautions and instructions appearing in the manual are not meant to cover all possible conditions and situations that may occur. It must be understood that common sense and caution are necessary factors in the installation and operation of this fan.

1. Unpacking Your Fan.

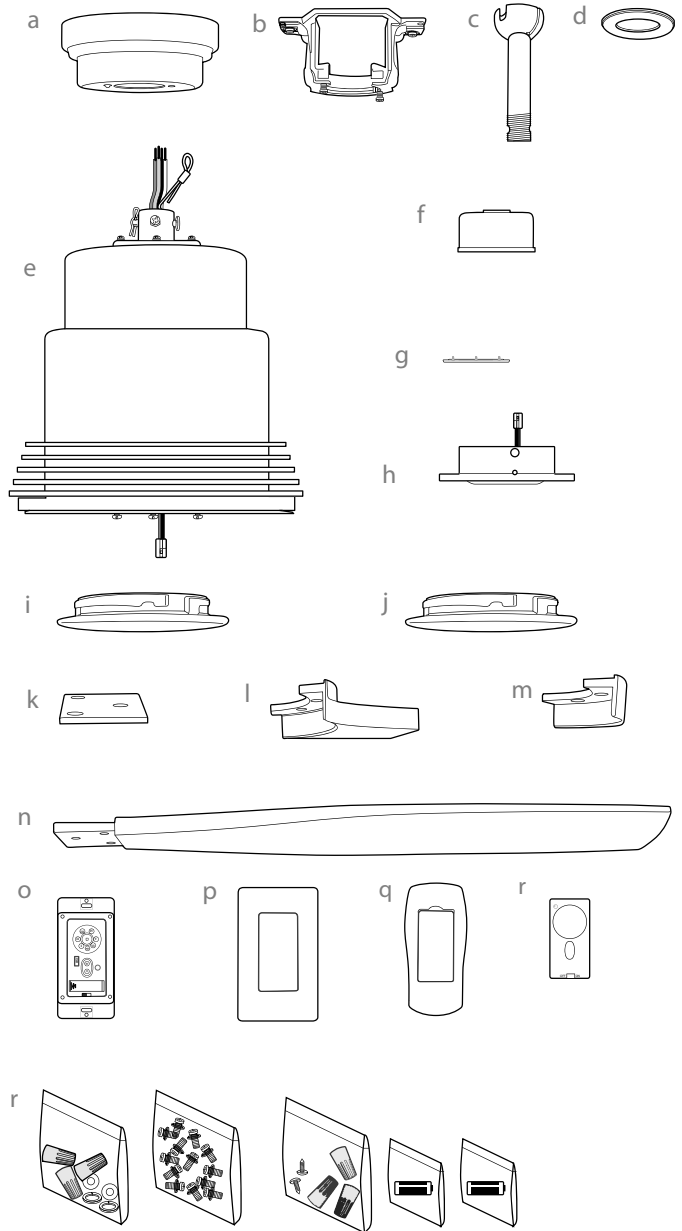
Carefully open the packaging. Remove items from Styrofoam inserts. Remove motor housing and place on carpet or Styrofoam to avoid damage to finish. Do not discard fan carton or Styrofoam inserts should this fan need to be returned for repairs.

Check against parts inventory that all parts have been included.



2. Parts Inventory.

- a. canopy. 1 piece
- b. hanging bracket. 1 piece
- c. downrod and hanging ball. 1 piece
- d. canopy cover. 1 piece
- e. motor housing. 1 piece
- f. yoke cover. 1 piece
- g. fitter plate. 1 piece
- h. LED light kit . 1 piece
- i. shade. 1 piece
- j. metal cover. 1 piece
- k. blade plate. 4 pieces
- l. blade arm. 4 pieces
- m. blade arm wall. 2 pieces
- n. blade. 4 pieces
- o. wall control. 2 pieces
- p. plate. 1 piece
- q. remote control cover. 1 piece
- r. faceplate. 3 pieces
- s. hardware packs



! IMPORTANT REMINDER: You must use the parts provided with this fan for proper installation and safety. **!**

3. Installation Preparation.

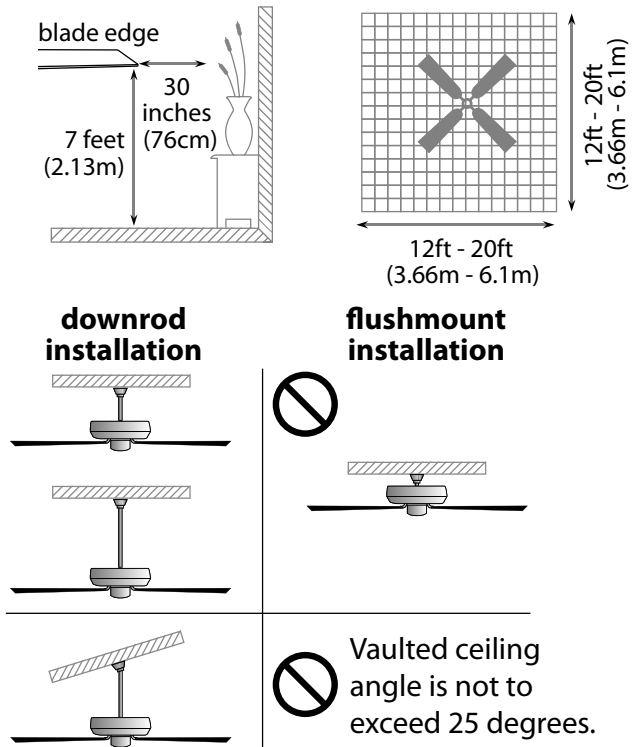
To prevent personal injury and damage, ensure that the hanging location allows the blades a clearance of 7 feet (2.13m) from the floor and 30in. (76cm) from any wall or obstruction.

This fan is suitable for room sizes up to 400 square feet (37.2 square meters).

This fan can be mounted with a **downrod** on a regular (no-slope) or vaulted ceiling. The hanging length can be extended by purchasing a longer downrod (0.5in./1.27cm diameter). Other installation, such as **flushmount**, is *not* available for this fan.

Installation requires these tools:

Phillips screwdriver, flathead screwdriver, adjustable pliers or wrench, stepladder, wire cutters, and rated electrical tape.



4. Hanging Bracket Installation.

Turn off circuit breakers to current fixture from breaker panel and be sure operating light switch is turned to the OFF position.

WARNING: Failure to disconnect power supply prior to installation may result in serious injury.

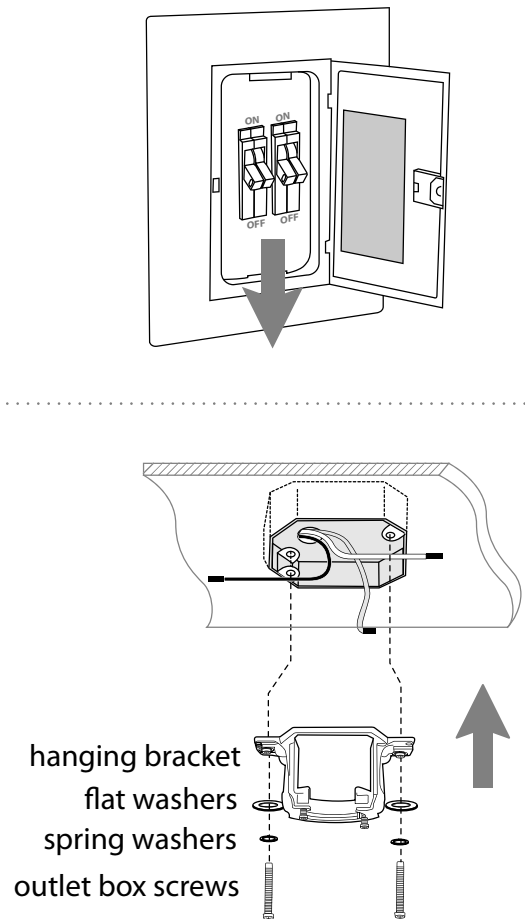
Remove existing fixture.

WARNING: When using an existing outlet box, be sure the outlet box is securely attached to the building structure and can support the full weight of the fan. Ensure outlet box is clearly marked "Suitable for Fan Support." If not, it must be replaced with an approved outlet box. Failure to do so can result in serious injury.

CAUTION: Be sure outlet box is properly grounded and that a ground wire (**GREEN** or bare) is present.

Install hanging bracket to outlet box using original screws, spring washers and flat washers provided with new or original outlet box.* If installing on a vaulted ceiling, face opening of hanging bracket towards high point of ceiling. Arrange electrical wiring around the back of the hanging bracket and away from the bracket opening.

***Note:** It is very important that you use the proper hardware when installing the hanging bracket as this will support the fan.



5. Fan Assembly.

Remove hanging ball from downrod provided by loosening set screw on hanging ball. Lower hanging ball and remove stop pin and then slide hanging ball off of the downrod. [Refer to **diagram 1**.]

Loosen yoke set screws and nuts at top of motor housing. Remove pin and clip from motor housing yoke. [Refer to **diagram 2**.]

Tip: To prepare for threading electrical wires through downrod, apply a small piece of electrical tape to the ends of the electrical wires--this will keep the wires together when threading them through the downrod. [Refer to **diagram 2**.]

Determine the length of downrod you wish to use. Thread safety cable and electrical wires through threaded end of downrod and pull extra wire slack from the upper end of the downrod. [Refer to **diagram 2**.]

Thread downrod into the motor housing yoke until holes for pin and clip in downrod align with holes in yoke--*make sure wires do not get twisted*. Re-insert pin and clip that were previously removed. Tighten yoke set screws and nuts securely. [Refer to **diagram 2**.]

Slide yoke cover, canopy cover and canopy over downrod. [Refer to **diagram 3**.] (**Note:** Canopy cover must be turned with shiny side *toward* the motor housing.)

Thread safety cable and wires through hanging ball and then slide hanging ball over downrod--the top of the downrod should be noted as having a set screw hole; use this hole when setting the set screw. Insert stop pin into top of downrod and raise hanging ball. Be sure stop pin aligns with slots on the inside of the hanging ball. Tighten set screw securely. [Refer to **diagram 4**.]

WARNING: Failure to tighten set screw (on hanging ball) completely could result in the fan becoming loose and possibly falling.

["Fan Assembly" continued on next page.]

NOTE: The important safety precautions and instructions appearing in the manual are not meant to cover all possible conditions and situations that may occur. It must be understood that common sense and caution are necessary factors in the installation and operation of this fan.

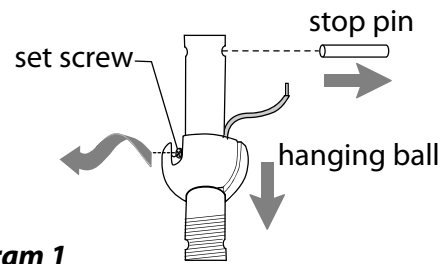


diagram 1

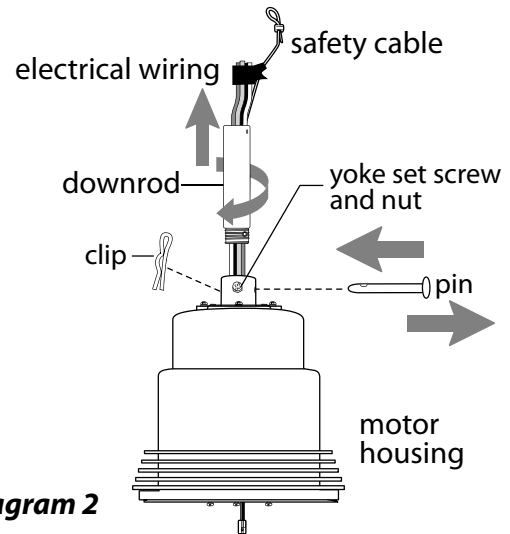


diagram 2

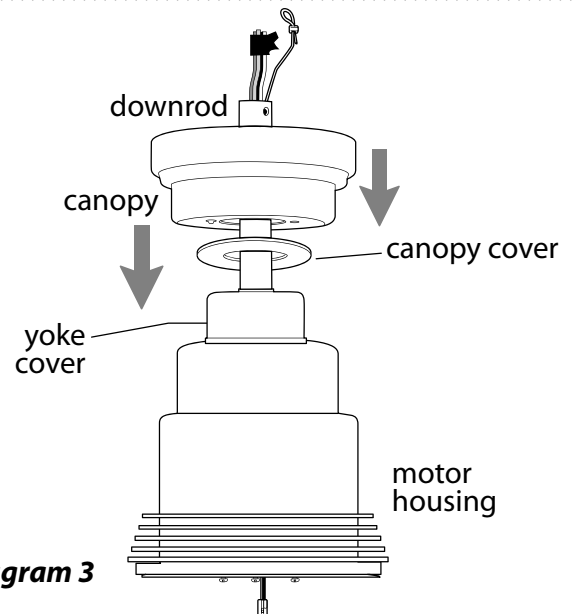


diagram 3

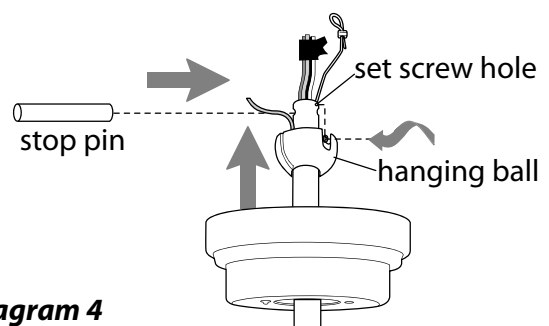


diagram 4

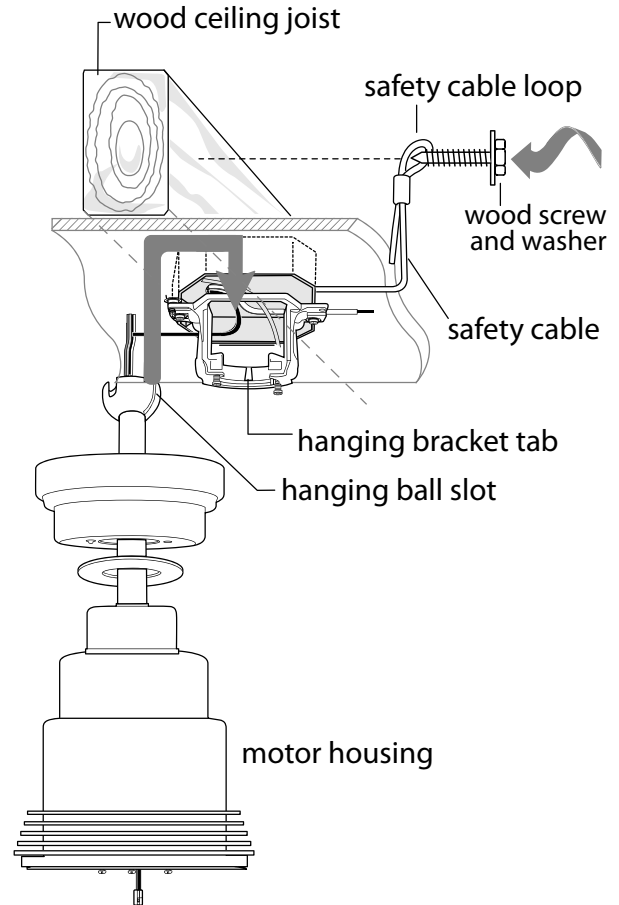
5. Fan Assembly. (cont.)

With the hanging bracket secured to the outlet box and able to support the fan, you are now ready to hang your fan. Grab the fan firmly with two hands. Slide down rod through opening in hanging bracket and let hanging ball rest on the hanging bracket. Turn the hanging ball slot until it lines up with the hanging bracket tab.

WARNING: Failure to align slot in hanging ball with tab in hanging bracket may result in serious injury or death.

Tip: Seek the help of another person to hold the stepladder in place and to lift the fan up to you once you are set on the ladder.

Find a secure attachment point (wood ceiling joist highly recommended) and secure safety cable. It will be necessary to use a heavy duty wood screw, washer and lock washer (not supplied) with the safety cable loop. If necessary, adjust the loop at the end of the safety cable. The loop at the end of the safety cable should just fit over the threads on the wood screw. *Test safety cable by pulling on loose end with pliers. If the safety cable slips, the loop must be adjusted tighter.* Extra cable slack can be left in ceiling area.



6. Wiring.

WARNING: Turn off circuit breakers to current fixture from breaker panel and be sure switch is turned to the OFF position.

CAUTION: Be sure outlet box is properly grounded and that a ground (**GREEN** or Bare) wire is present.

Make sure all electrical connections comply with Local Codes or Ordinances and the National Electrical Code. If you are unfamiliar with electrical wiring or if the house/building wires are different colors than those referred to in the instructions, please use a qualified electrician.

Note: Excess lead wire length from the fan can be cut to the desired length and then stripped.

When downrod is secured in place on the hanging bracket, electrical wiring can be made as follows:
 Connect **BLACK** wire from fan to **BLACK** wire from ceiling with wire connector provided.
 Connect **WHITE** wire from fan to **WHITE** wire from ceiling with wire connector provided.
 Connect all **GROUND (GREEN)** wires together from fan to **BARE/GREEN** wire from ceiling with wire connector provided.

* Wrap each wire connector separately with electrical tape as an extra safety measure.

[**PLEASE NOTE:** Wall and/or handheld remote control must be used for fan to operate. If you do **not** wish to use the wall control, please proceed to Section 7 below to continue with fan installation.]

To install wall control, remove existing wall switch. Wire one of the wall controls with wire connectors provided as shown in diagram at right.

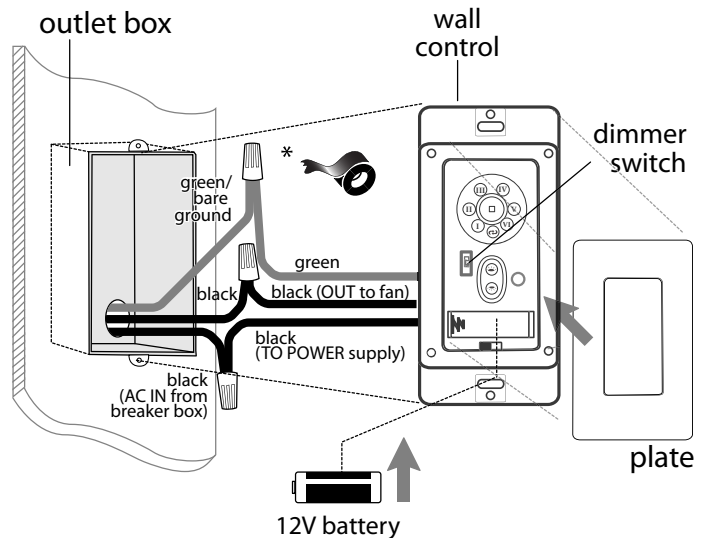
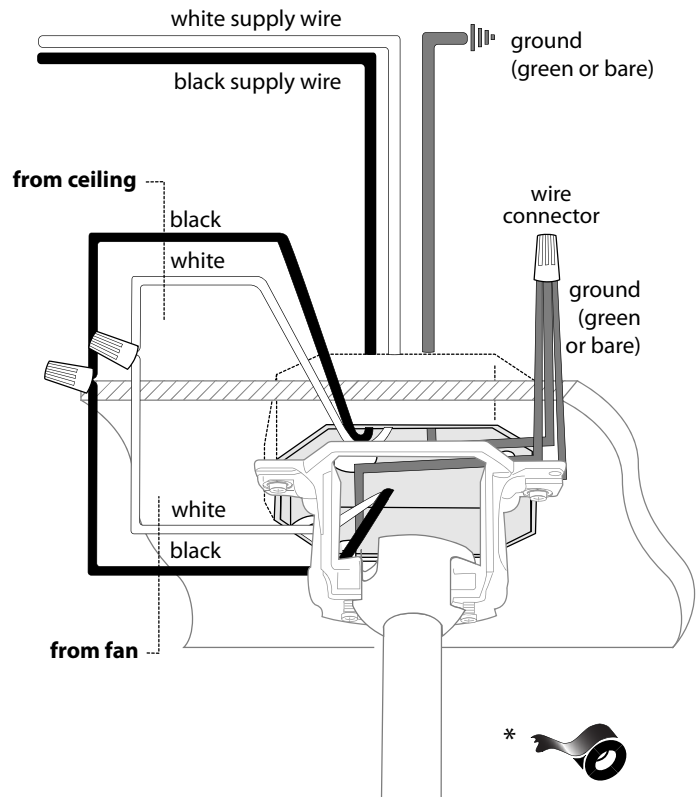
*Wrap each wire connector separately with electrical tape as an extra safety measure. Gently push wires and taped wire connectors into outlet box.

Install one 12-volt battery (included) in wall control. **IMPORTANT:** Wall control will not function unless battery is installed.

WARNING: Battery is to be inserted with the correct polarity.

Since this fan comes an LED light kit, the dimmer switch (labeled **ON** and **D**) has been pre-set to the "ON" position (**ON**). If you do not wish to have dimming capability, please move the switch to the "OFF" position (**D**).

Attach wall control to outlet box and secure with screws from original wall switch. Attach plate (included) to wall control using 2 screws provided with the wall control.

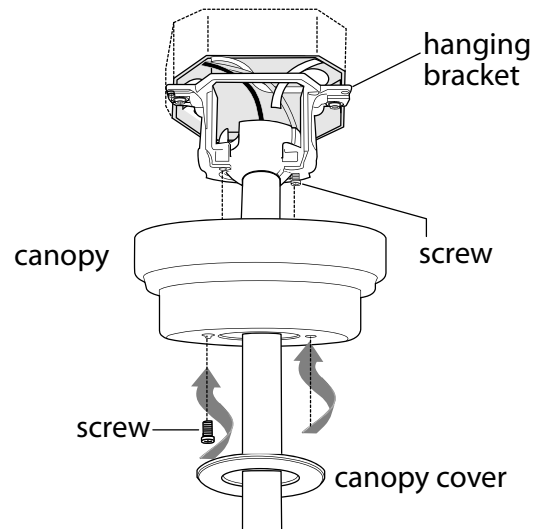


(wiring for wall control)

7. Canopy Assembly.

Locate 2 screws on underside of hanging bracket and remove screw closest to the open end of the hanging bracket. Partially loosen the other screw. Lift canopy to hanging bracket. Place rounded part of slotted hole in canopy over loosened screw in hanging bracket and push up. Twist canopy to lock. Re-insert screw that was removed and then tighten both screws securely.

Slide canopy cover up to canopy, aligning rounded part of slotted holes in canopy cover with screwheads in bottom of canopy. Turn canopy cover to the right (clockwise) until it stops.



8. Blade Assembly.

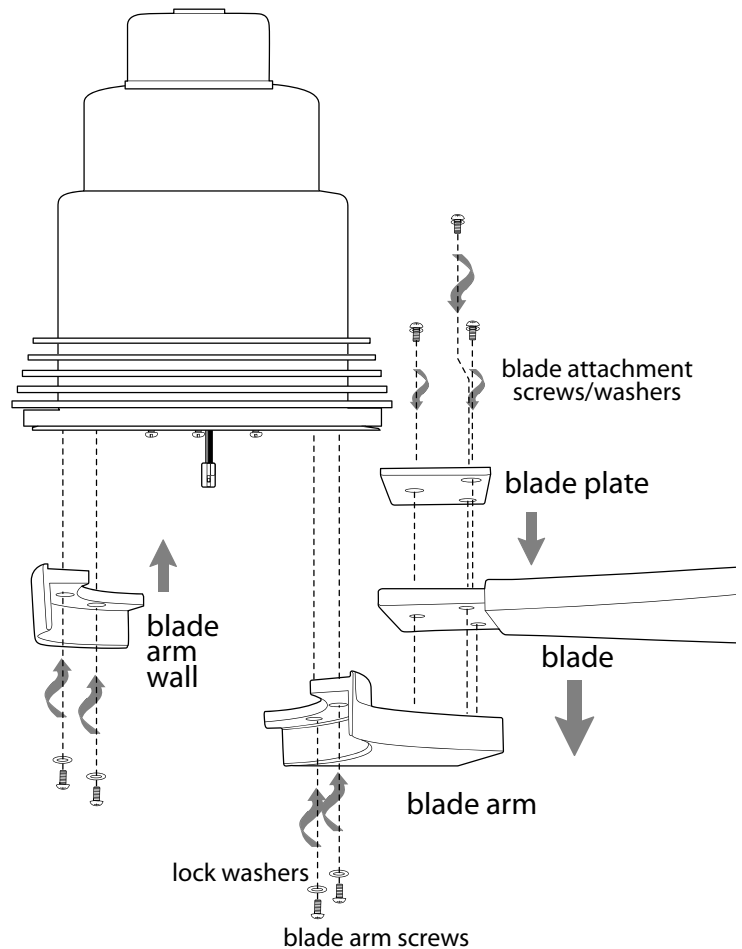
BLADE OPTIONS: This fan can be used with TWO or FOUR blades. *If TWO-blade option is chosen*, install blade arm walls opposite each other using blade arm screws and lock washers referred to in third paragraph below.

WARNING: To reduce the risk of serious bodily injury, DO NOT use power tools to assemble the blades. If overtightened, blades may crack and break.

Locate blade attachment screws/washers in hardware pack. Hold blade arm up to blade and align holes. Place blade plate on top of blade, aligning posts in blade plate with holes in blade as shown and insert 3 blade attachment screws/washers, with fingers first and then tighten screws securely with a Phillips screwdriver. Repeat for the remaining blades.

Remove blade arm screws and lock washers from underside of motor. Align blade arm holes with motor screw holes and attach blade arm with lock washers and blade arm screws. Before securing screws permanently, repeat procedure with remaining blade arms. Securely tighten all screws.

Note: Tighten blade arm screws twice a year.



9. Light Kit Assembly.

Remove 1 screw from motor plate on underside of motor housing and partially loosen the other 2 screws. Align slotted holes in fitter plate with loosened screws in motor plate, allowing female plug from motor housing to come through hole in middle of fitter plate. Twist fitter plate to lock. Re-insert screw that was previously removed and securely tighten all 3 screws with a Phillips screwdriver. [Refer to **diagram 1**.]

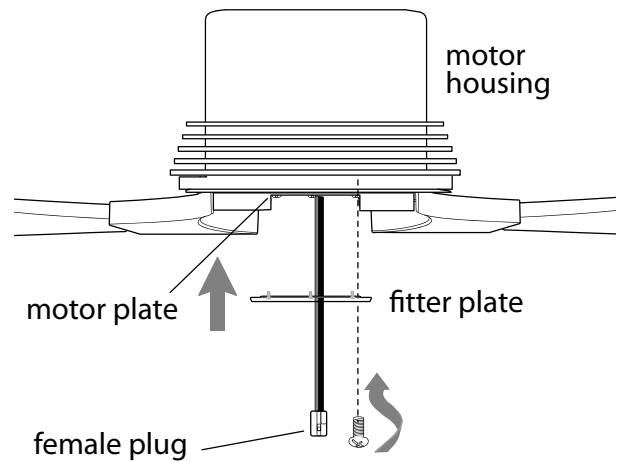


diagram 1

Remove 1 screw from underside of fitter plate and partially loosen the other 2 screws.

If you wish to use the light kit, connect female plug from motor housing to male plug from the LED light kit, matching up the colors on the male plug with the colors on the female plug for correct fit. Make sure that plugs connect securely. [**NOTE:** If you will NOT be using the light kit, do NOT connect the plugs.] Carefully arrange wiring within the back of LED light kit. Align slotted holes in light kit fitter with loosened screws in fitter plate. Twist light kit fitter to lock. Re-insert screw that was previously removed and tighten all 3 screws securely. [Refer to **diagram 2**.]

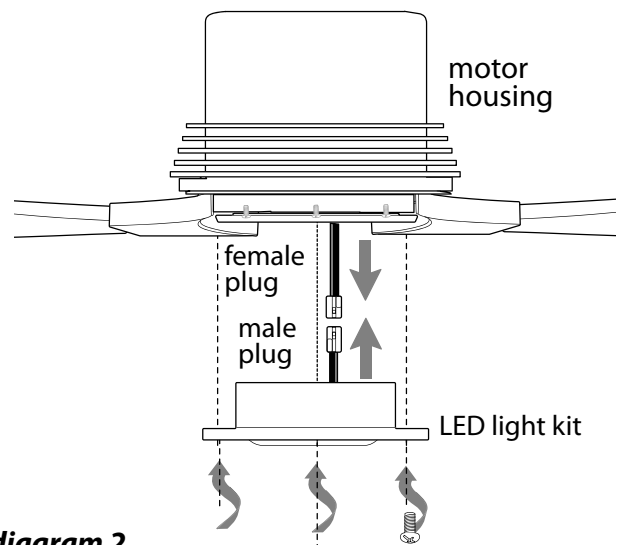


diagram 2

Locate slots on shade and align with nodules on inside of LED light kit. Gently push up on shade and turn to the RIGHT (clockwise) until it slides completely into place. [Refer to **diagram 3**.]

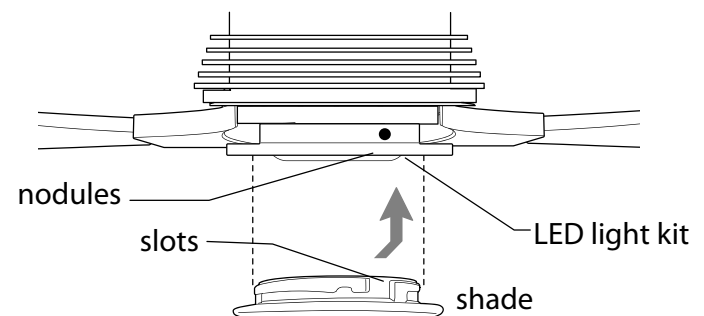


diagram 3

If you do NOT wish to use the light, locate slots on metal cover and align with nodules on inside of LED light kit. Gently push up on metal cover and turn to the RIGHT (clockwise) until it slides completely into place. [Refer to **diagram 4**.]

CAUTION: Do **not** connect the LED light kit if you do NOT wish to use the light.

WARNING: Metal cover will be **HOT** if light is left on.

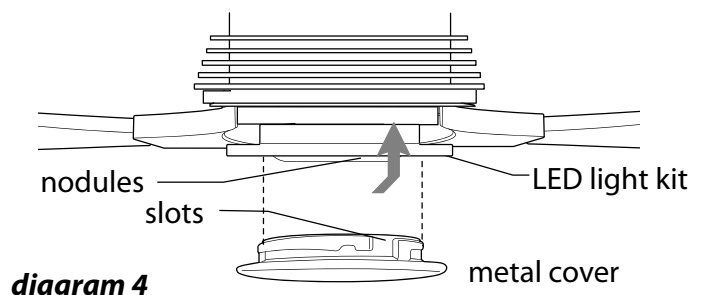


diagram 4

10. Handheld Remote Control Assembly.

IN ORDER TO USE THE HANDHELD REMOTE CONTROL, PLEASE CONTINUE WITH SECTION 10 for remote control assembly instructions. If you have already installed the wall control but do **not** wish to use the handheld remote control, please proceed to Section 11.

Gently pull on remote control cover to separate top and bottom parts. [Refer to **diagram 1**.]

In order to use wall control as a handheld remote control, cut each wire on wall control (that was not previously used)—use wire cutters to cut off each wire as close to the wall control as possible. [Refer to **diagram 2**.]

Install one 12-volt battery (included) in wall control. [Refer to **diagram 2**.]

WARNING: Battery is not rechargeable. Non-rechargeable batteries are not to be recharged. Batteries are to be inserted with the correct polarity.

The dimmer switch (labeled **ON** and **D**) has been pre-set to the "ON" position (**ON**). If you do not wish to have dimming capability, please move the switch to the "OFF" position (**D**). [Refer to **diagram 2**.]

Align holes in wall control with posts located on *inside* of TOP part of remote control cover and press together firmly. Place wall control into BOTTOM part of remote control cover, aligning posts in top of remote control cover with post holes in the bottom. [Refer to **diagram 3**.]

(NOTE: Make sure to align narrower ends of remote control cover before closing.) Squeeze top and bottom of remote control cover together until you hear a click at each end, indicating that the remote control cover has closed completely.

IMPORTANT: Store the handheld remote control away from excess heat or humidity. To prevent damage to handheld remote control, remove the battery if remote control will not be used for long periods.

NOTE: Remove batteries with low or no charge and dispose of properly.

CAUTION: "DO NOT DISPOSE OF BATTERIES IN FIRE, BATTERIES MAY EXPLODE OR LEAK." - When disposing of household alkaline batteries, it is best to check with your local and state recycling or household hazardous waste coordinators concerning the specifics of the program in your area. You may also locate a recycling center by calling 1-800-8-BATTERY or 1-877-2-RECYCLE or visit www.epa.gov/epawaste/index.htm or www.earth911.org for more information.

WARNING: Choking Hazard - Small parts. Keep battery away from children.

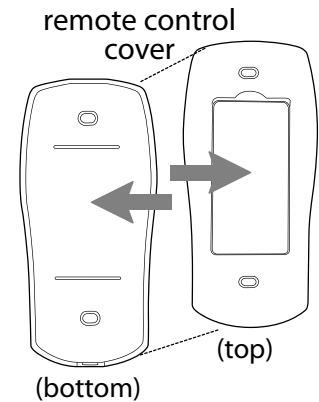


diagram 1

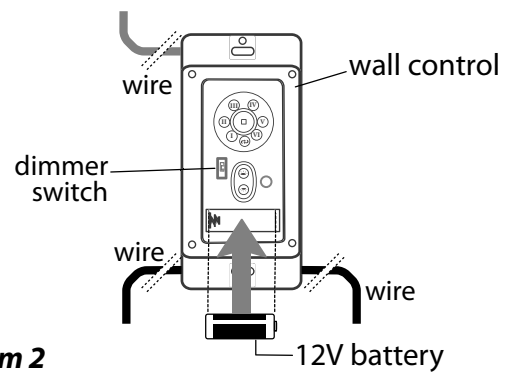


diagram 2

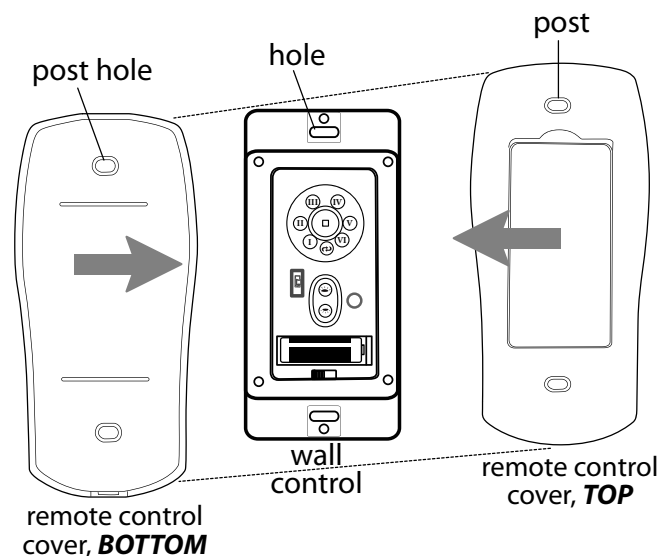


diagram 3

11. Automated Learning Process./Activating Code.

CAUTION: The wall and/or handheld remote control can be programmed to multiple receivers or fans. If this is not desired, turn wall switch off to any other programmable receiver or fan.

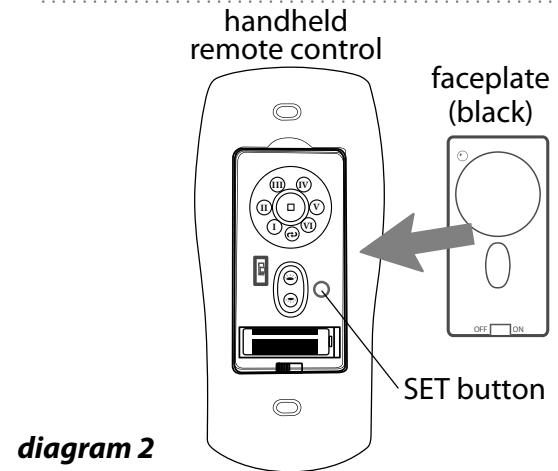
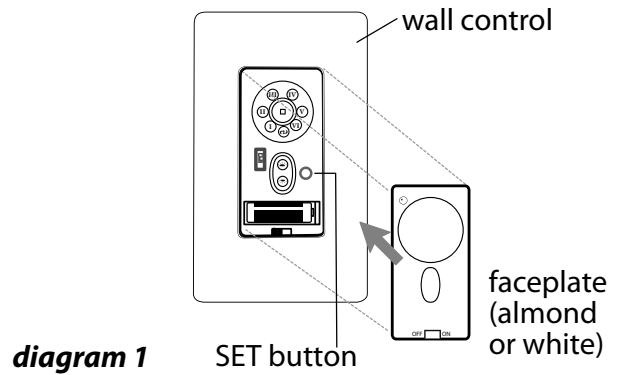
Restore electrical power and then, if using wall control, set slider switch on wall control to the ON position. Within 60 seconds of turning on the wall control, press and hold the fan **SET** button on the wall control for 5 seconds (or until light blinks twice or fan blades begin to turn).

Turn power off again for at least 5 seconds and then turn power back on. Within 60 seconds of restoring the power, press and hold the fan **SET** button on the handheld remote control for 5 seconds or until light blinks twice.

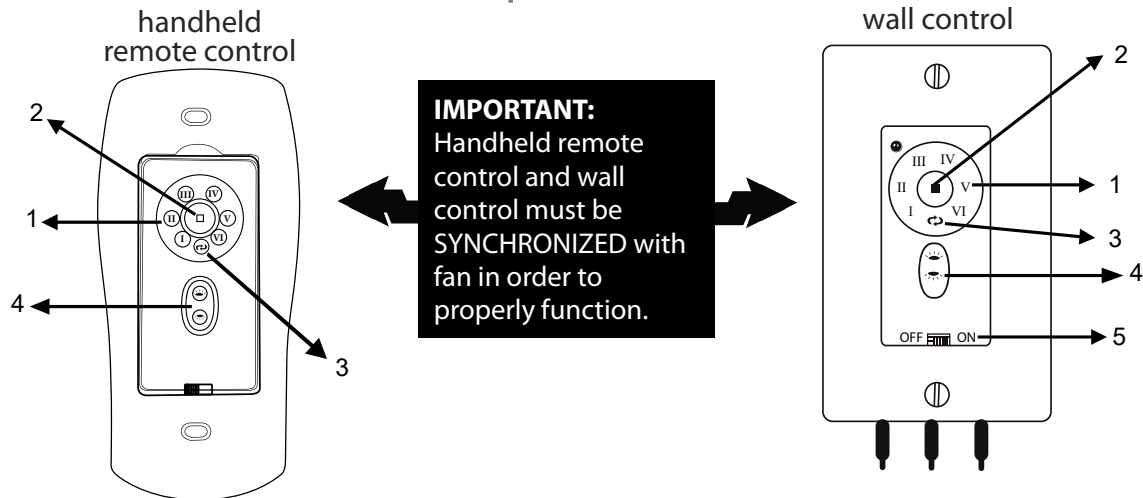
Test the light and fan functions to confirm the learning process is complete--see Section 13.

Select a faceplate (**almond or white**) and press firmly onto front of wall control that was previously installed to the outlet box on the wall. [Refer to **diagram 1**.]

Attach **black faceplate** to front of handheld remote control; press down firmly. [Refer to **diagram 2**.]




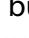
12. Remote/Wall Control Operation.




- Fan **SPEED** control buttons--1: Use to control the ceiling fan speed 1-6
- Fan **OFF** button--2: Use to turn the fan off
- REVERSE** function button--3: Use to control fan direction
- LIGHTING** button--4: Use to control down-light and/or up-light (if applicable)
- ON/OFF** slider switch--5: [Wall control only] Use to turn wall control ON or OFF

IMPORTANT: The Automated Learning Process takes approximately 5 minutes to complete. Please **leave the fan "ON"** for the duration of the 5-minute programming and **do NOT use the remote control or turn off the power** during this time. The fan will **cycle through ALL SIX (6) speeds in forward and reverse** and will **then stop automatically** after the learning process is complete.

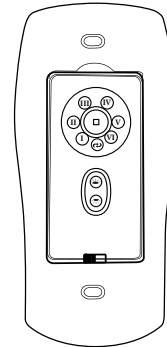
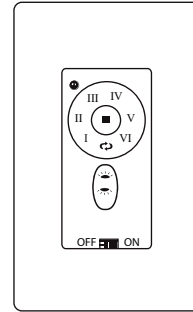
13. Testing Your Fan.

It is recommended that you test fan before finalizing installation. Restore power from circuit box and wall switch (if applicable). Test wall control (optional installation) by locating ON/OFF slider switch on wall control, then set to the ON position. Test light and dimmer function and then test fan speeds. Next, locate handheld remote control. Test fan speeds with the different fan speed buttons (I - VI) on handheld remote control. Test the light ON/OFF function by pressing the  button; test the dimmer function by pressing the  button and holding it down for up to 5 seconds. If the wall and/or remote control operates all of the functions of the fan, battery/batteries has/have been installed correctly. If the wall and/or remote controls do (does) not operate all of the fan functions, refer to "Troubleshooting" section to solve any issues before contacting Customer Service.

Fan *must* be on LOW *before* setting the fan in reverse. Use  button to recirculate air depending on the season. A ceiling fan will allow you to raise your thermostat setting in summer and lower your thermostat setting in winter without feeling a difference in your comfort.

NOTE: If the wall control/handheld remote control interferes with other appliances, activate a new code on the wall control/ handheld remote control by **turning the power off first**. Go back to the instructions for the SET button in Section 11 (page 11).

IMPORTANT: Handheld remote control and wall control must be synchronized with fan in order to properly function.



Troubleshooting.

WARNING: Failure to disconnect power supply prior to troubleshooting any wiring issues may result in serious injury.

Problem: Fan fails to operate.

Solutions:

1. Check wall switch to fan.
2. Check to be sure fan is wired properly.
3. Learning process between fan, remote control and, if applicable, wall control may not have been successful and code was not activated. Turn off power and repeat instructions for SET button in Section 11 (page 11).
4. Check that red light on remote control turns on when a button is pressed indicating that the battery is good.
5. Verify that male and female plugs are connected properly.

Problem: Light kit not lighting.

Solutions:

1. Check wall switch to fan.
2. Check to be sure wires in canopy are wired properly.
3. Verify that male and female plugs in LED light kit are connected properly.
4. Learning process between fan, remote control and, if applicable, wall control may not have been successful and code was not activated. Turn off power and repeat instructions for SET button in Section 11 (page 11).

Problem: Fan operates but light fails.

Solutions:

1. Check to be sure wires in canopy are wired properly.
2. Verify that male and female plugs in LED light kit are properly connected.

Problem: Fan and light fail to operate with remote control.

Solutions:

1. Check battery power to remote control.
2. Learning process between fan, remote control and, if applicable, wall control may not have been successful and code was not activated. Turn off power and repeat instructions for SET button in Section 11 (page 11).

Problem: Fan wobbles.

Solutions:

1. Check to be sure set screw(s) on motor housing yoke is (are) tightened securely.

Warranty.

CRAFTMADE™ LIFETIME LIMITED WARRANTY:

CRAFTMADE warrants this fan to the original household purchaser for indoor use under the following provisions:
1-YEAR WARRANTY: CRAFTMADE will replace or repair any fan which has faulty performance due to a defect in material or workmanship. Contact Craftmade Customer Service at **1-800-486-4892** to arrange for return of fan. Return fan, shipping prepaid, to Craftmade. We will repair or ship you a replacement fan, and we will pay the return shipping cost.

5-YEAR WARRANTY: CRAFTMADE will repair or replace, at no charge to the original purchaser, any fan motor that fails to operate satisfactorily when failure results from normal use.

RETURN FAN MOTOR ONLY, shipping prepaid, to Craftmade Industries. We will repair or ship purchaser a replacement motor and Craftmade will pay the return shipping cost.

6-YEAR to LIFETIME LIMITED WARRANTY: CRAFTMADE will repair the fan, at no charge for labor only to the original purchaser, if the fan motor fails to operate satisfactorily when failure results from normal use. Parts used in the repair will be billed to the purchaser at prevailing prices at time of repair.

The purchaser shall be responsible for all costs incurred in the removal, reinstallation and shipping of the product for repairs.

This warranty does not apply when damage from mechanical, physical, electrical or water abuse results in causing the malfunction. Deterioration of finishes or other parts due to time or exposure to salt air is specifically exempted under this warranty.

Neither Craftmade nor the manufacturer will assume any liability resulting from improper installation or use of this product. In no case shall the company be liable for any consequential damages for breach of this, or any other warranty expressed or implied whatsoever. This limitation as to consequential damages shall not apply in states where prohibited.

Parts Replacement.

For parts and information, please refer to "Parts Inventory" on page 3.

Craftmade Customer Support:

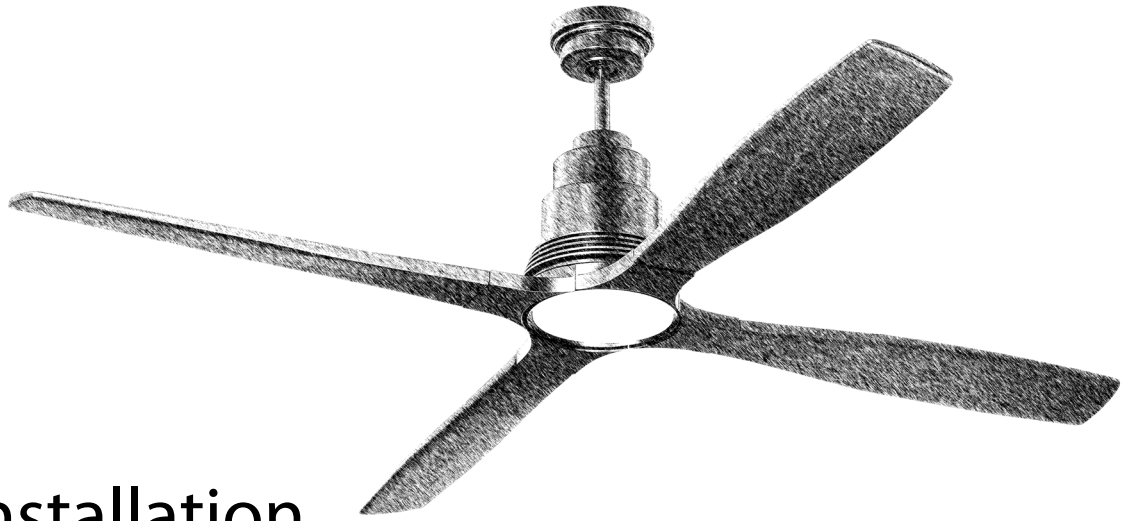
1-800-486-4892

www.craftmade.com

CRAFTMADE™

CRAFTMADE™

LISEZ CES INSTRUCTIONS ET
CONSERVEZ-LES POUR USAGE FUTUR



Ricasso Guide d'installation

Pour les modèle :
RIC60

Table des Matières :

- Conseils de sécurité. p. 2
- Déballage du ventilateur. p. 3
- Contenu de l'emballage. p. 3
- Préparation de l'installation. p. 4
- Installation du support de suspension. p. 4
- Groupe ventilateur. pgs. 5 - 6
- Câblage. pg. 7
- Montage de la garniture. p. 8
- Fixation des pales. p. 8
- Montage du kit d'éclairage DEL. p. 9
- Assemblage du module de commande à distance portatif. p.10
- Processus d'apprentissage automatisé / Activation du code. p. 11
- Utilisation de la commande à distance/murale. p. 11
- Comment tester votre ventilateur. p. 12
- Dépannage. p. 13
- Garantie. p. 13
- Remplacement des pièces. p. 13



poids net du ventilateur : 8 kg (17,64 lb)

CONSEILS DE SÉCURITÉ.

AVERTISSEMENT : Afin de réduire le danger d'électrocution, coupez l'alimentation électrique du ventilateur au niveau du disjoncteur, de l'armoire ou du panneau électrique principal avant de commencer l'installation du ventilateur ou avant d'entreprendre des travaux de réparation ou avant d'installer des accessoires.

1. LISEZ ATTENTIVEMENT TOUTES LES INSTRUCTIONS ET LES INFORMATIONS DE SÉCURITÉ AVANT D'INSTALLER VOTRE VENTILATEUR ET CONSERVEZ CES INSTRUCTIONS.

ATTENTION : Pour éviter toute blessure corporelle, il peut s'avérer nécessaire de porter des gants lors de la manutention de pièces de ventilateur qui présentent des bords coupants.

- Assurez-vous que tous les branchements électriques sont conformes aux Codes et Ordonnances locales, au Code Électrique national, et à l'ANSI/NFPA 70-1999. Si vous n'êtes pas familier avec le câblage électrique ou si les câbles de la maison/bâtiment sont de couleurs différentes de celles auxquelles il est fait référence dans ces instructions, alors veuillez faire appel à un électricien qualifié.
- Assurez-vous que l'endroit que vous avez choisi pour votre ventilateur présente un espace suffisant pour permettre aux pales de tourner librement et une distance d'au moins 2,13 mètres (7 pieds) entre le sol et les extrémités des pales du ventilateur. Le ventilateur doit être monté de telle sorte qu'il y ait un espace d'au moins 76 centimètres (30 pouces) entre les extrémités des pales et les murs ou autres structures verticales.
- La boîte de sortie et la poutre de support du plafond doivent être solidement arrimées et capables de soutenir une charge d'au moins 16 kilogrammes (35 livres). La boîte de sortie doit être montée directement sur une structure porteuse du bâtiment. Veuillez à n'utiliser que des boîtes de sortie approuvées CUL (Canada) ou UL (USA) portant l'inscription « ADAPTÉ POUR SOUTENIR UN VENTILATEUR ».

AVERTISSEMENT : Afin de minimiser les risques d'incendie, d'électrocution ou de blessures corporelles, montez sur une boîte de sortie portant la mention « Convient pour soutenir un ventilateur de 15,9 kg (35 Lb) maximum » [« Acceptable for Fan Support of 15.9 kg (35 lb) or less »] et utilisez les vis de fixation fournies avec la boîte de sortie. La plupart des boîtes de sortie communément utilisées pour soutenir des luminaires ne sont pas adéquates pour soutenir un ventilateur et devront éventuellement être remplacées. Consultez un électricien qualifié en cas de doute.

AVERTISSEMENT : Pour réduire les risques d'incendie, d'électrocution ou de blessures corporelles, les connecteurs de fils fournis avec ce ventilateur sont conçus pour n'accepter qu'un fil résidentiel de calibre 12 et deux fils en provenance du ventilateur. Si le fil résidentiel est d'un calibre supérieur à 12 ou s'il y a plus d'un fil résidentiel à connecter aux fils correspondants du ventilateur, consulter un électricien pour savoir quelle taille de connecteurs de fils utiliser.

- Les schémas électriques ne sont fournis que pour référence.
- Lorsque l'installation est terminée, vérifiez que toutes les connexions sont correctement et solidement effectuées.
- Après avoir effectué des branchements électriques, les fils ainsi raccordés doivent être tournés vers le haut et insérés dans la boîte de sortie avec précaution. Les fils doivent être séparés avec le fil de terre et le fil de raccordement à la terre de l'unité positionnés sur les côtés opposés de la boîte de sortie.

AVERTISSEMENT : Afin de réduire le risque de blessures corporelles graves, NE PAS utiliser d'outils électriques pour assembler n'importe quelle pièce du ventilateur, y compris les pales.

AVERTISSEMENT : Afin de réduire le danger d'électrocution ou d'incendie, ne pas utiliser ce ventilateur avec un variateur de vitesse à circuit intégré ou régler la vitesse à l'aide d'un interrupteur à variateur intégral. [Le fait d'utiliser un interrupteur à variateur intégral pour contrôler la vitesse du ventilateur occasionnera un vrombissement sourd en provenance du ventilateur.]

- Ne pas actionner le commutateur d'inversion avant que le ventilateur ne soit parvenu à un arrêt complet. **[Remarque]** : Si vous utilisez une commande à distance équipée de la fonction inversion, n'inverser le sens de rotation des pales qu'en vitesse LENTE.]

AVERTISSEMENT : En vue de réduire le risque de blessures corporelles, ne pas introduire d'objets dans la trajectoire des pales.

AVERTISSEMENT : Pour éviter toute blessure corporelle ou dommage au ventilateur et autres éléments, faites preuve de prudence lorsque vous travaillez autour du ventilateur ou lorsque vous le nettoyez.

- Ne pas utiliser d'eau ou de détergents pour nettoyer le ventilateur ou les pales du ventilateur. Un chiffon sec ou légèrement humide se prête bien à la plupart des tâches de nettoyage.

AVERTISSEMENT : Afin de réduire le risque de blessures corporelles, n'utiliser que les pièces livrées avec ce ventilateur. **L'utilisation de toutes pièces AUTRES que celles fournies avec ce ventilateur annulera la garantie.**

AVERTISSEMENT : Ce ventilateur DOIT être installé à l'aide du câble de sécurité fourni avec le ventilateur. Ne pas utiliser le câble de sécurité fourni peut entraîner des blessures corporelles graves, des dommages au ventilateur ou d'autres dommages matériels.

ATTENTION : Le couvercle métallique en utilisation sans kit d'éclairage sera CHAUD si la lumière est restée allumée. Pour réduire le risque de blessures corporelles, le kit d'éclairage doit être éteint. N'utilisez PAS les boutons d'éclairage de la télécommande si vous installez un couvercle métallique.

ATTENTION : NE PAS altérer ou tenter de réparer le composant DEL du kit d'éclairage. La source lumineuse est conçue pour cette application spécifique et ne doit pas être entretenue par du personnel non qualifié. S'il est nécessaire de procéder à une opération d'entretien, veuillez communiquer avec l'équipe du service à la clientèle.

- L'intensité du luminaire peut être réduite à 10 % avec certains gradateurs.

Toutes les modifications qui n'ont pas fait l'objet d'une autorisation expresse de la partie responsable de la conformité peuvent annuler la faculté de l'utilisateur d'utiliser l'appareil. [L'équipement fait référence à la télécommande et/ou la commande murale et/ou le kit d'éclairage DEL.]

REMARQUE : Après avoir subi les tests réglementaires, le présent équipement a satisfait aux exigences requises pour les dispositifs numériques de Classe B, conformément aux Règles de la FCC Partie 15. Ces exigences sont destinées à offrir une protection raisonnable contre les interférences néfastes dans le cadre des installations résidentielles. Le présent équipement génère, utilise et peut émettre des fréquences radioélectriques et, s'il n'est pas installé et utilisé conformément aux instructions, peut causer des interférences néfastes aux communications radio. Toutefois, il n'existe aucune certitude que des interférences se produiront dans une installation spécifique. S'il s'avère que le présent équipement produit effectivement des interférences néfastes à la réception radio ou télévision, qui peut être déterminée en mettant en marche puis en arrêtant l'équipement, il est recommandé à l'utilisateur d'essayer de corriger le problème d'interférence en suivant une ou plusieurs des démarches suivantes :

- * réorienter ou déplacer l'antenne de réception.
- * augmenter la distance qui sépare l'équipement du récepteur.
- * brancher l'équipement sur une source électrique raccordée à un circuit différent de celui sur lequel le récepteur est branché.

Consultez et cherchez l'assistance d'un revendeur ou d'un technicien radio/TV expérimenté.

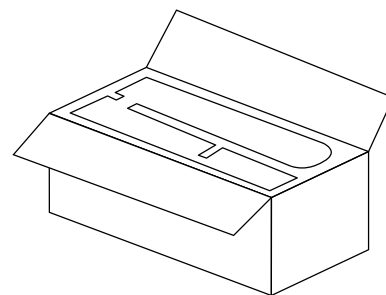
Le kit d'éclairage LED est conforme à la Section 15 de la Réglementation de la FCC. L'utilisation en est soumise aux deux conditions suivantes : (1) ce kit d'éclairage LED ne doit pas causer d'interférences nuisibles, (2) ce kit d'éclairage LED doit accepter toutes les interférences reçues, y compris les interférences qui peuvent causer un fonctionnement non souhaité.

Distribué par : Craftmade, 3901 S. 20th Avenue, DFW Airport, TX, 75261; 1-800-486-4892

REMARQUE : Les précautions de sécurité et les instructions importantes figurant dans le manuel ne sauraient prévoir toutes les conditions et situations possibles. Il est entendu que le bon sens et la prudence sont de rigueur pour l'installation et l'utilisation de ce ventilateur.

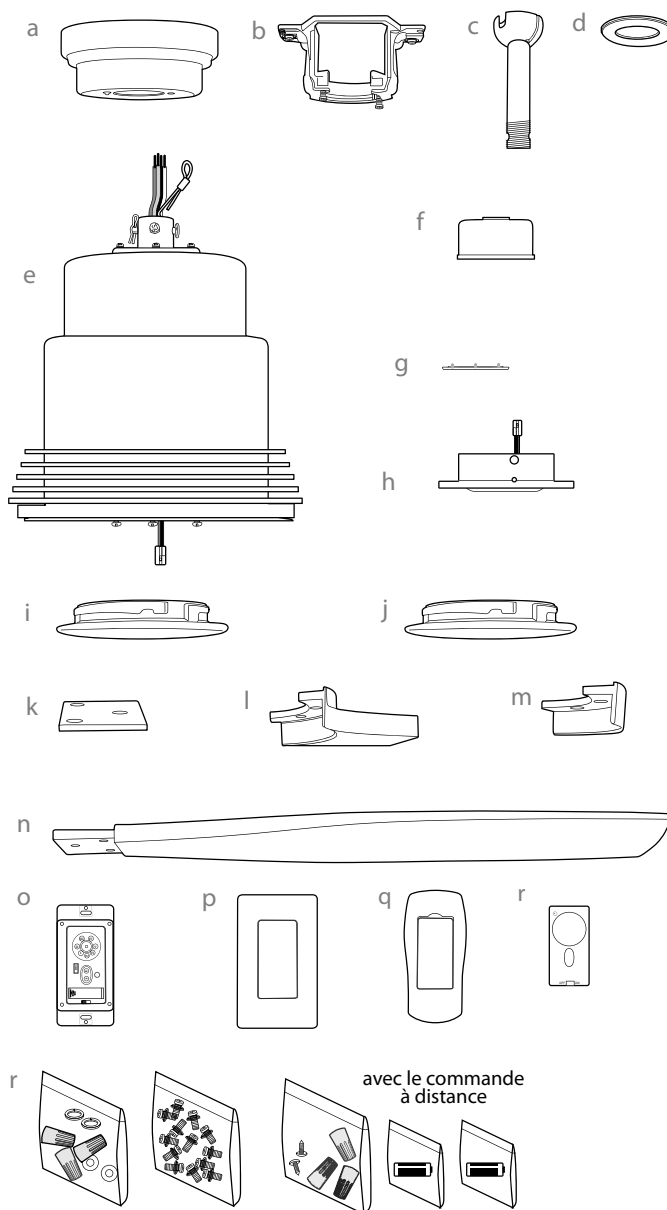
1. Déballage du ventilateur.

Ouvrez l'emballage avec précaution. Retirez toutes les pièces des inserts en polystyrène. Retirez le carter moteur et placez-le sur une pièce de tapis ou de polystyrène afin de ne pas endommager la finition. Ne jetez pas le carton ou les pièces de polystyrène pour le cas où le ventilateur devrait être renvoyé pour réparation. Vérifiez que toutes les pièces figurant sur l'inventaire sont présentes.



2. Contenu de l'emballage.

- a.** garniture. 1 pièce
- b.** support de suspension. 1 pièce
- c.** tige et rotule de suspension. 1 pièce
- d.** couvercle de garniture. 1 pièce
- e.** carter moteur. 1 pièce
- f.** couvre étrier. 1 pièce
- g.** plaque de l'adaptateur. 1 pièce
- h.** kit d'éclairage DEL. 1 pièce
- i.** abat-jour. 1 pièce
- j.** couvercle métallique. 1 pièce
- k.** plaque de pale. 4 pièces
- l.** bras de pale. 4 pièces
- m.** montants des caches de bras de pale. 2 pièces
- n.** pale. 4 pièces
- o.** commande murale. 2 pièces.
- p.** plaque murale. 1 pièce
- q.** couvercle de commande à distance. 1 pièce
- r.** plaque décorative. 3 pièces
- s.** paquets de quincaillerie



⚠ RAPPEL IMPORTANT : Il est indispensable d'utiliser les pièces fournies avec ce ventilateur pour une installation correcte et sûre. **⚠**

3. Préparation de l'installation.

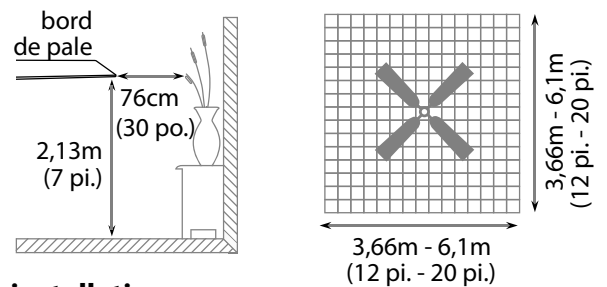
Pour éviter toute blessure corporelle et tous dommages ou dégâts, assurez-vous que l'emplacement où le ventilateur sera suspendu permette un dégagement de 2,13 m (7 pieds) entre les pales et le sol et de 76 cm (30 po.) entre les pales et tout mur ou obstacle quelconque.

Ce ventilateur se prête à l'installation dans des pièces d'une surface pouvant aller jusqu'à 37,2 m² (400 pi.²).

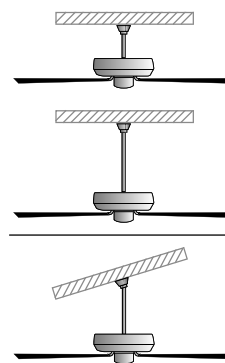
Ce ventilateur peut être monté avec une **tige de suspension** sur un plafond classique (non incliné) ou voûté. Il est possible d'acheter une tige de suspension plus longue (diamètre de 1,27cm - 0,5 po) pour rallonger la distance par rapport au plafond. D'autres configurations d'installation, comme le **montage encastré**, ne sont pas possibles pour ce ventilateur.

Les outils suivants seront nécessaires pour l'installation :

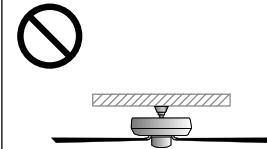
Tournevis cruciforme, tournevis plat, pince multiprise ou clé à molette, une échelle ou marchepied, une pince coupante, du ruban isolant homologué.



installation de la tige de suspension



installation encastrée



L'angle de la voûte du plafond ne doit pas dépasser 25°.

4. Installation du support de suspension.

Coupez l'alimentation électrique du luminaire en place au niveau des coupe-circuits du panneau électrique et assurez-vous que l'interrupteur qui en contrôle le fonctionnement est bien en position ARRÊT.

AVERTISSEMENT : Le fait de ne pas débrancher l'alimentation électrique avant l'installation peut causer des blessures graves.

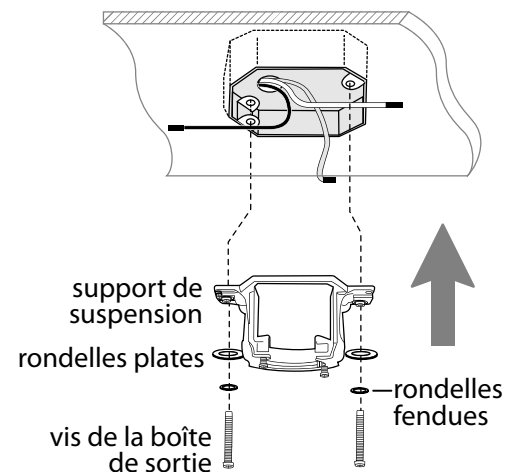
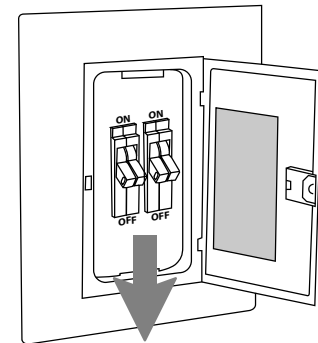
Déposez l'appareil existant.

AVERTISSEMENT : Dans le cas de l'utilisation d'une boîte de sortie existante, veillez à s'assurer que la boîte de sortie est solidement fixée à la structure de la construction et qu'elle peut supporter la totalité du poids du ventilateur. Vérifiez que la mention "Adapté pour soutenir un ventilateur" ("Suitable for Fan Support") est clairement indiquée sur la boîte de sortie. Si tel n'est pas le cas, elle doit être remplacée par une boîte de sortie approuvée. Tout défaut à cette règle peut résulter en des blessures graves.

ATTENTION : Assurez-vous que la boîte de sortie est correctement reliée à la terre et qu'il existe bien un fil de terre (**VERT** ou dénudé).

Fixez le support de suspension sur la boîte de sortie à l'aide des vis, rondelles fendues et rondelles plates originales fournies avec une nouvelle boîte de sortie ou la boîte de sortie originale.* En cas d'installation dans un endroit avec un plafond voûté, il y a lieu de veiller à toujours diriger l'ouverture du support de suspension vers le point haut du plafond. Disposez le câblage derrière le support de suspension de telle sorte qu'il soit à l'écart de l'ouverture du support.

***Remarque :** Il est très important d'utiliser les pièces de montage prévues à cet effet lorsque vous installez le support de suspension du fait que celles-ci seront appelées à supporter la charge du ventilateur.



5. Groupe ventilateur.

Retirez la rotule de suspension de la tige de suspension fournie en desserrant la vis de fixation située sur la rotule de suspension. Glissez la rotule de suspension vers le bas et retirez la goupille d'arrêt puis retirez la rotule de suspension de la tige de suspension. [Voir **Schéma 1.**]

Desserrez les vis de fixation et les écrous situés sur la partie supérieure du carter moteur. Retirez l'ensemble goupille clavette de l'étrier du carter moteur. [Voir **Schéma 2.**]

Conseil : En préparation du passage des câbles électriques par l'intérieur de la tige de suspension, enroulez l'extrémité des fils électriques avec un petit bout d'isolant électrique - cela permettra de rassembler les fils pour le passage dans la tige de suspension. [Voir **Schéma 2.**]

Déterminez la longueur de tige de suspension que vous souhaitez utiliser. Passez le câble de sécurité et les fils électriques dans l'extrémité fileté de la tige de suspension et tirez l'excédent de fil par l'extrémité supérieure de la tige de suspension. [Voir **Schéma 2.**]

Glissez la tige de suspension dans l'étrier du carter moteur jusqu'à ce que les trous pratiqués dans la tige de suspension réservés pour la clavette et la goupille soient alignés sur les trous de l'étrier -- *veillez à ce que les fils ne soient pas torsadés*. Réinsérez la goupille et la clavette précédemment retirées. Serrez les vis de fixation de l'étrier et les écrous fermement. [Voir **Schéma 2.**]

Faites glisser le couvre étrier, le couvercle de garniture et la garniture par-dessus la tige de suspension. [Voir **schéma 3.**] (**Remarque :** Le couvercle de garniture doit être tourné avec le côté brillant vers le boîtier du moteur.)

Passez le câble de sécurité et les fils par l'ouverture de la rotule de suspension puis glissez la rotule de suspension dans la tige de suspension -- il est à noter que l'extrémité supérieure de la tige de suspension est celle qui est pourvue du trou destiné à recevoir la vis de fixation ; introduisez la vis de fixation dans ce trou. Insérez la goupille d'arrêt dans l'extrémité supérieure de la tige de suspension et glissez la rotule de suspension vers le haut. Assurez-vous que la goupille d'arrêt soit alignée avec les fentes situées sur l'intérieur de la rotule de suspension. Serrez fermement la vis de fixation. [Voir **Schéma 4.**]

AVERTISSEMENT : Le défaut de serrer correctement la vis de fixation (située sur la rotule de suspension) peut entraîner la désolidarisation, voire la chute du ventilateur.

["Groupe ventilateur" suite à la page suivante.]

REMARQUE : Les précautions de sécurité et les instructions importantes figurant dans le manuel ne sauraient prévoir toutes les conditions et situations possibles. Il est entendu que le bon sens et la prudence sont de rigueur pour l'installation et l'utilisation de ce ventilateur.

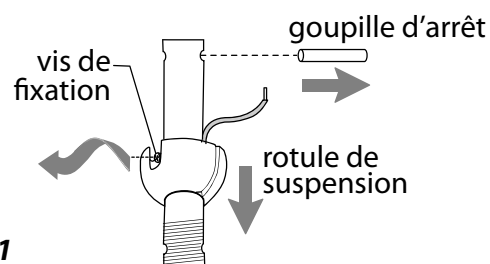


Schéma 1

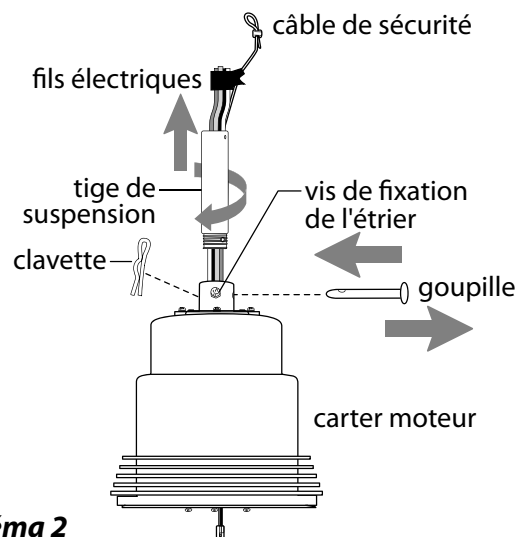


Schéma 2

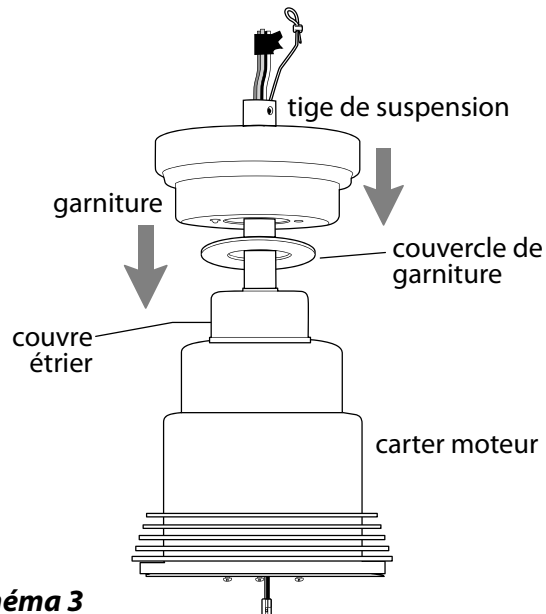


Schéma 3

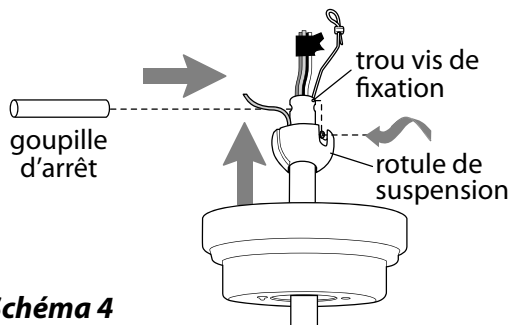


Schéma 4

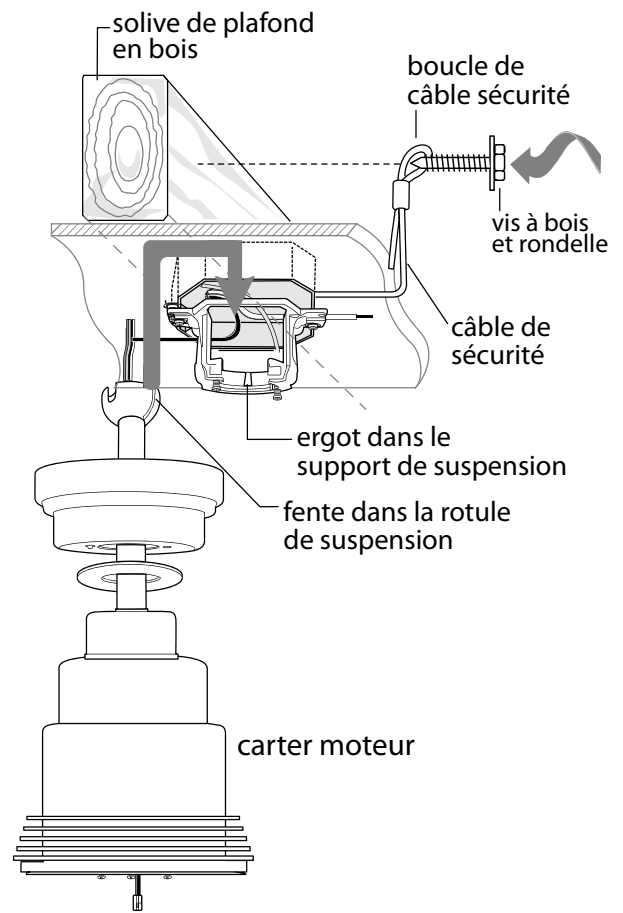
5. Groupe ventilateur. (Suite)

Une fois le support de suspension solidement fixé sur la boîte de sortie et prêt à maintenir le ventilateur, vous pouvez suspendre votre ventilateur. Saisissez le ventilateur fermement avec deux mains. Glissez la tige de suspension par l'ouverture du support de suspension et laissez la rotule de suspension venir se loger sur le support de suspension. Tournez la fente dans la rotule de suspension jusqu'à ce qu'elle soit alignée avec l'ergot se trouvant dans le support de suspension.

AVERTISSEMENT : Le fait de ne pas aligner la fente de la rotule de suspension avec l'ergot du support de suspension peut causer des blessures graves, voire mortelles.

Conseil : Demandez l'assistance d'une autre personne pour tenir le marchepied et pour vous aider à lever le ventilateur une fois que vous vous trouvez sur l'échelle.

Trouvez un point d'attache solide (une solive de plafond en bois est hautement recommandée) et fixez le câble de sécurité. Il sera nécessaire d'utiliser une vis à bois de gros gabarit, une rondelle et une rondelle autobloquante (non fournies) pour la boucle du câble de sécurité. Si nécessaire, réglez la boucle située à l'extrémité du câble de sécurité. La boucle située à l'extrémité du câble de sécurité doit tout juste affleurer les filets de la vis à bois. *Testez le câble de sécurité en tirant sur l'extrémité flottante du câble à l'aide d'une pince. Si le câble de sécurité glisse, la boucle doit être resserrée.* Le mou du câble inutilisé peut être laissé en zone de plafond.



6. Cablage.

AVERTISSEMENT : Coupez l'alimentation électrique du luminaire en place au niveau des coupe-circuits du panneau électrique et assurez-vous que l'interrupteur est bien en position OFF (ARRÊT).

ATTENTION : Assurez-vous que la boîte de sortie est correctement reliée à la terre et qu'il existe bien un fil de terre (**VERT** ou Dénudé).

Assurez-vous que tous les branchements électriques sont conformes aux Codes et Ordonnances locales, et au Code Électrique national. Si vous n'êtes pas familier avec le câblage électrique ou si les câbles de la maison/bâtiment sont de couleurs différentes de celles auxquelles il est fait référence dans le schéma de droite, alors veuillez faire appel à un électricien qualifié.

Remarque : Les fils d'alimentation trop longs peuvent être coupés à la longueur souhaitée puis dénudés.

La tige de suspension une fois solidement montée sur le support de suspension, les connexions électriques peuvent être effectuées comme suit :

Raccordez le fil **NOIR** du ventilateur au fil **NOIR** du plafond à l'aide du connecteur de fils fourni.
Raccordez le fil **BLANC** du ventilateur au fil **BLANC** du plafond à l'aide du connecteur de fils fourni.
Connectez tous les fils de **TERRE (VERT)** du ventilateur entre-eux et raccordez-les au fil **DÉNUDÉ/VERT** du plafond à l'aide du connecteur de fils fourni.

* Par mesure de sécurité complémentaire, enveloppez chaque connecteur de fils séparément de ruban isolant.

[VEUILLEZ NOTER : La commande murale et/ou le module de télécommande sont nécessaires pour faire fonctionner le ventilateur. Si vous **ne souhaitez pas** utiliser la commande murale, veuillez passer à la Section 7 pour continuer avec l'installation du ventilateur.]

Pour installer la commande murale, déposez l'interrupteur mural existant. Câblez une des commandes murales à l'aide des connecteurs fournis comme indiqué dans l'illustration sur la droite.

*Par mesure de sécurité complémentaire, enveloppez chaque connecteur de fils séparément de ruban isolant. Insérez avec précaution les fils et les connecteurs de fils avec le ruban isolant dans la boîte de sortie.

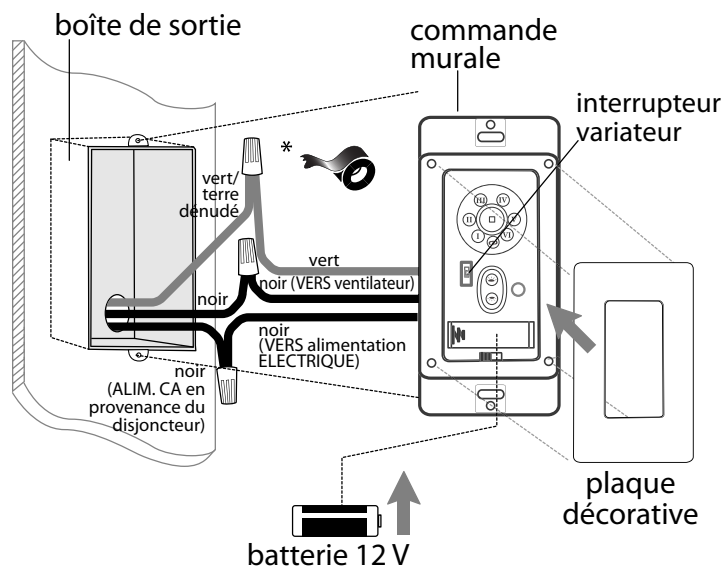
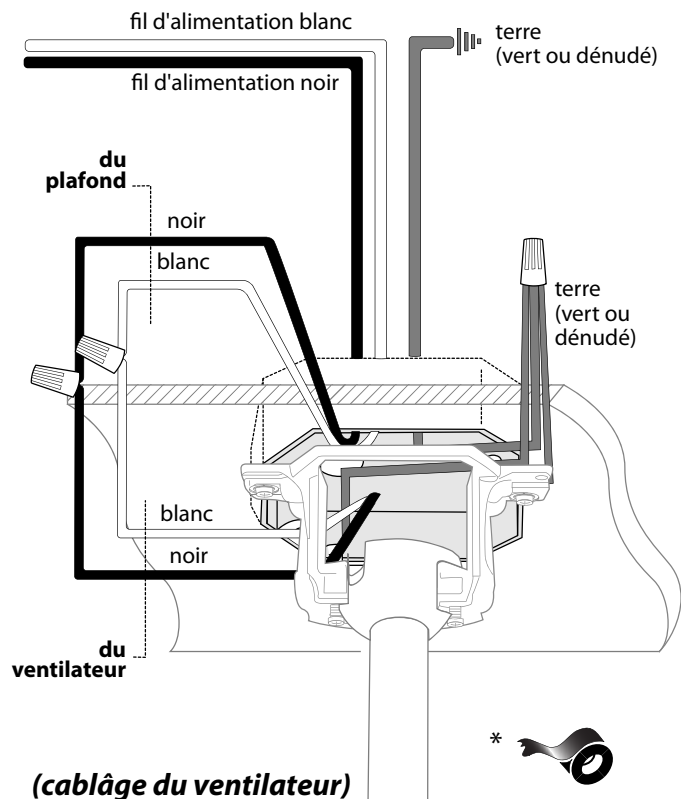
Installez une batterie 12 Volt (incluse) dans la commande murale.

IMPORTANT : La commande murale ne fonctionnera pas si la batterie n'est pas installée.

AVERTISSEMENT : Insérez la pile en respectant la polarité

Comme le ventilateur est livré avec un kit d'éclairage DEL, la commande du variateur (marquée **ON** et **D**) a été pré-réglé sur la position "**ON**" (Marche) (**DIM**). Si vous préférez ne pas activer la fonction variateur, veuillez amener le commutateur en position "OFF" (Arrêt) (**D**).

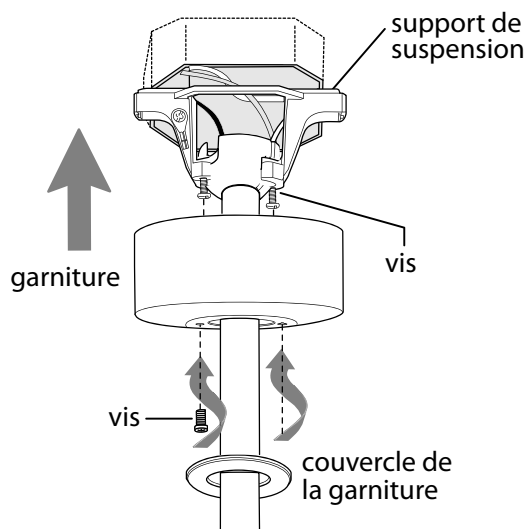
Remontez la commande murale sur la boîte de sortie et fixez à l'aide des vis de l'interrupteur initial. Fixez la plaque décorative (incluse) sur la commande murale à l'aide des 2 vis fournies avec la commande murale.



7. Montage de la garniture.

Repérez deux vis sur la face inférieure du support de montage et déposez la vis la plus proche de l'extrémité ouverte du support de montage. Desserrez partiellement l'autre vis. Levez la garniture pour l'amener jusqu'au support de montage. Glissez la partie arrondie de la fente dans la garniture par-dessus la vis précédemment desserrée située dans le support de montage et poussez vers le haut. Tournez la garniture pour la verrouiller. Réinsérez la vis précédemment retirée, puis serrez fermement les deux vis.

Glissez le couvercle de la garniture vers le haut jusqu'à la garniture, en veillant à aligner la partie arrondie des fentes du couvercle de la garniture sur les têtes de vis situées dans la partie inférieure de la garniture. Tournez le couvercle de la garniture vers la droite (sens horaire) jusqu'en butée.



8. Assemblage et montage des pales.

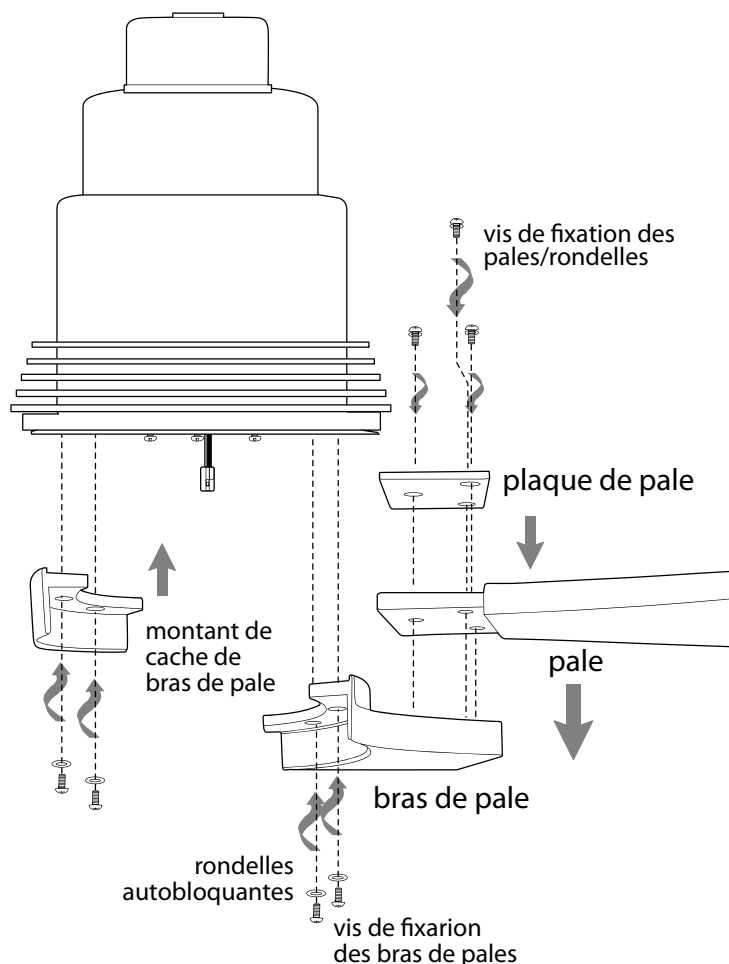
OPTIONS DE PALES : Ce ventilateur peut être utilisé avec DEUX ou QUATRE pales. **Si l'option deux pales est choisie**, installez les montants des caches de bras de pales en face l'un de l'autre à l'aide des vis de bras de pales et des rondelles auto bloquantes mentionnées au troisième paragraphe ci-dessous.

AVERTISSEMENT : Afin de réduire le risque de blessures corporelles graves, NE PAS utiliser d'outils électriques pour assembler les pales. En cas de serrage excessif, les pales peuvent se fissurer et casser.

Trouvez les vis/rondelles de fixation de pales dans le paquet de quincaillerie. Faites correspondre les trous des bras de pales avec les trous des pales. Placez la plaque de support de pale sur le dessus de la pale, en alignant les tenons de la plaque de pale avec les trous de la pale comme indiqué et insérez 3 vis/rondelles de fixation de pales, d'abord avec les doigts puis serrez les vis fermement à l'aide d'un tournevis cruciforme. Reprenez la procédure pour les pales restantes.

Retirez les vis de fixation des bras de pales ainsi que les rondelles auto bloquantes du côté inférieur du moteur. Alignez les trous des bras de pales sur les trous de vis dans le moteur puis fixez le bras de pale avec les rondelles auto bloquantes et les vis de fixation des bras de pales. Avant de serrer les vis définitivement, répétez cette procédure avec les bras de pales restants. Serrer fermement toutes les vis.

REMARQUE : Resserrez les vis de fixation des pales deux fois par an.



9. Assemblage du Kit d'éclairage.

Retirez 1 vis de la plaque du moteur située sur la face inférieure du carter moteur et desserrez partiellement les 2 autres vis. Alignez les trous en fente de plaque de l'adaptateur avec les vis desserrées de la plaque du moteur, permettant que le connecteur femelle du carter moteur de passer par le trou se trouvant au milieu de la plaque de l'adaptateur. Tournez plaque d'adaptateur pour le verrouiller. Insérez à nouveau la vis retirée et serrez bien les 3 vis à l'aide d'un tournevis cruciforme. [Voir **Schéma 1**.]

Retirez 1 vis du bord extérieur de la plaque d'adaptateur du kit d'éclairage et desserrez partiellement les 2 autres vis.

Si vous souhaitez utiliser le ventilateur avec kit d'éclairage, raccordez la prise mâle du carter moteur à la prise femelle de la plaque d'adaptateur du kit d'éclairage, en veillant à respecter la correspondance entre les couleurs de la prise mâle et celles de la prise femelle pour un branchement correct. Assurez-vous que les prises sont correctement enfoncées.

[REMARQUE : NE connectez PAS les connexions moxex pour le kit d'éclairage LED si vous NE SOUHAITEZ PAS utiliser la lumière.] Disposez soigneusement les fils dans le kit d'éclairage. Alignez les trous oblongs du kit d'éclairage DEL avec les vis desserrées situées sur la plaque de l'adaptateur du kit d'éclairage. Tournez le kit d'éclairage DEL pour le verrouiller. Réinsérez la vis précédemment retirée, puis serrez fermement les trois vis. [Voir **Schéma 2**.]

Repérez les rainures de l'abat-jour et alignez avec les nodules à l'intérieur du kit d'éclairage DEL. Poussez doucement sur l'abat-jour. Tournez l'abat-jour vers la DROITE (sens des aiguilles d'une montre) jusqu'à ce que l'abat-jour soit verrouillé. [Voir **Schéma 3**.]

Si vous souhaitez utiliser le ventilateur SANS kit d'éclairage, repérez les rainures du couvercle métallique et alignez les nodules à l'intérieur le kit d'éclairage DEL avec ces rainures. Poussez doucement sur le couvercle métallique et tournez le couvercle métallique vers la DROITE (sens des aiguilles d'une montre) jusqu'à ce que le couvercle métallique soit verrouillé. [Voir **Schéma 4**.]

AVERTISSEMENT : NE connectez PAS le kit d'éclairage LED si vous NE SOUHAITEZ PAS utiliser la lumière.

AVERTISSEMENT : Le couvercle métallique sera CHAUD si la lumière est restée allumée.

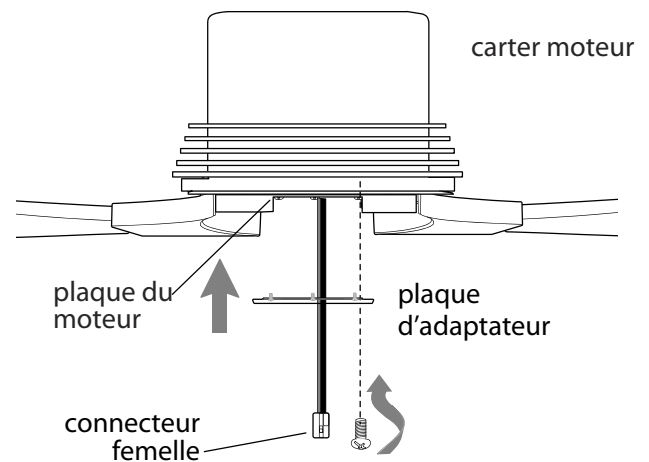


Schéma 1

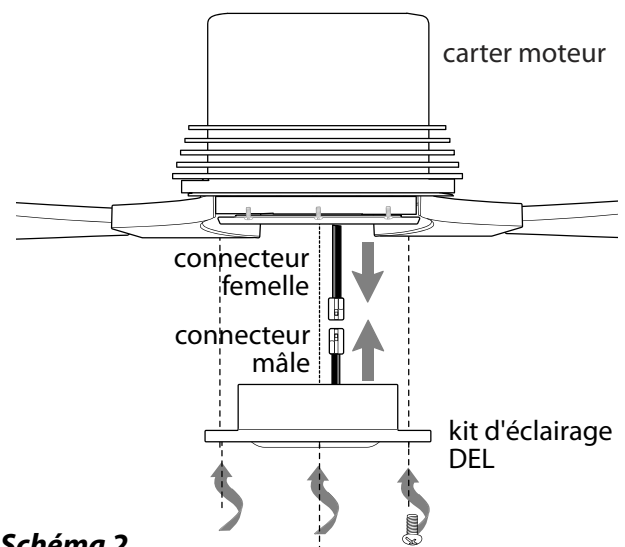


Schéma 2

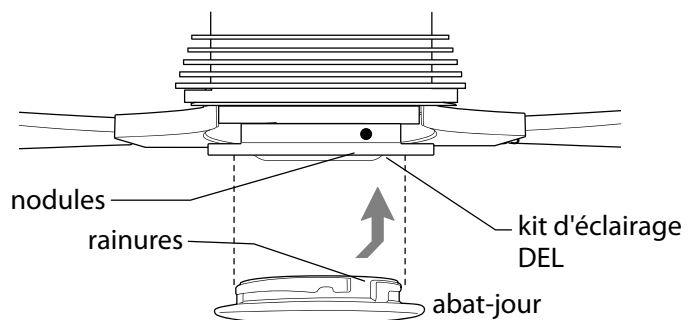


Schéma 3

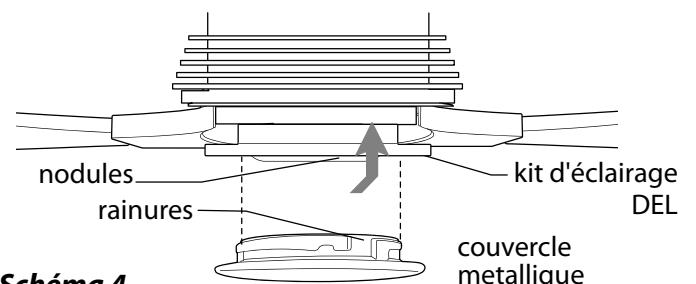


Schéma 4

10. Assemblage du module de commande à distance portatif.

AFIN D'UTILISER LE MODULE DE TÉLÉCOMMANDE, VEUILLEZ PASSER À LA SECTION 10 pour les instructions d'assemblage de la télécommande. Si vous avez déjà installé la commande murale mais **ne** souhaitez **pas** utiliser le module de télécommande, veuillez passer à la Section 11.

Tirez avec précaution sur le couvercle de commande à distance pour séparer les parties supérieure et inférieure. [Voir schéma 1.]

Afin d'utiliser la commande murale comme module de télécommande, coupez chaque fil de la commande murale (qui n'a pas été précédemment utilisé) -- à l'aide d'une pince coupante coupez chaque fil aussi près de la commande murale que possible. [Voir schéma 2.]

Installez une batterie 12 Volt (incluse) dans la commande murale. [Voir schéma 2.]

AVERTISSEMENT : La pile N'est PAS rechargeable. N'essayez pas de recharger des piles non rechargeables. Insérez les piles en respectant la polarité

L'interrupteur variateur (marqué **ON** et **D**) a été pré-réglé sur la position "**ON**" (Marche). Si vous préférez ne pas activer la fonction variateur, veuillez amener l'interrupteur en position "OFF" (Arrêt) (**D**). [Voir schéma 2.]

Alignez les trous de la commande murale sur les tenons situés à l'intérieur de la partie SUPÉRIEURE du couvercle de la commande à distance et compressez fermement. Placez la commande murale dans la partie INFÉRIEURE du couvercle de la commande à distance, en veillant à aligner les tenons situés dans la partie supérieure du couvercle de la commande à distance avec les trous prévus à cet effet dans la partie inférieure. [Voir schéma 3.]

(REMARQUE : Assurez-vous d'aligner les extrémités plus étroites du couvercle de la commande à distance avant de refermer.) Serrez les parties supérieure et inférieure du couvercle de la commande à distance l'une contre l'autre jusqu'à ce que vous entendiez un déclic à chaque extrémité, indiquant que le couvercle de la commande à distance est en place et verrouillé.

IMPORTANT : Entrez la commande à distance portable à l'abri de l'humidité et de sources de chaleur intense. Pour éviter d'endommager la commande à distance portable, retirez la batterie si la commande à distance portable n'est pas utilisée pendant de longues périodes.

REMARQUE : Veuillez retirer et vous débarrasser de manière adéquate de la pile lorsqu'elle est faible ou déchargée.

ATTENTION : NE PAS JETER LES PILES AU FEU; CELA PRÉSENTE UN RISQUE D'EXPLOSION OU DE FUITE. Lors de la mise au rebut des piles alcalines domestiques, il est recommandé de vérifier auprès des coordonnateurs des autorités locales et nationales chargés du recyclage des déchets domestiques dangereux pour les détails du programme dans votre région. Vous pouvez également trouver un centre de recyclage en composant le 1 888 224-9764 ou 1 877 2-RECYCLE (1 877 273-2925) ou visiter le site www.call2recycle.org pour plus d'informations.

AVERTISSEMENT : **Risque d'étouffement** – Petites pièces. Gardez les piles hors de la portée des enfants.

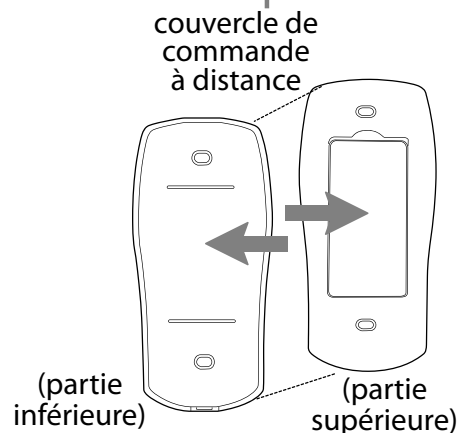


schéma 1

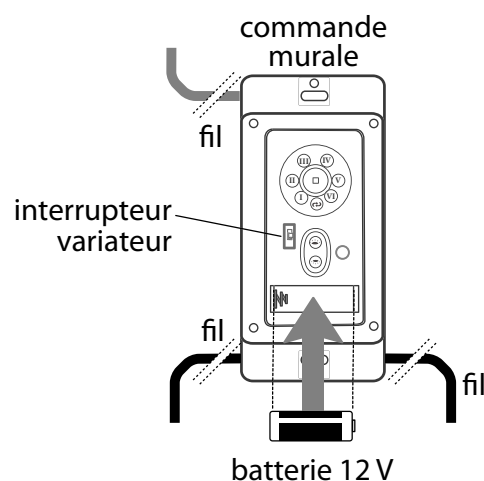
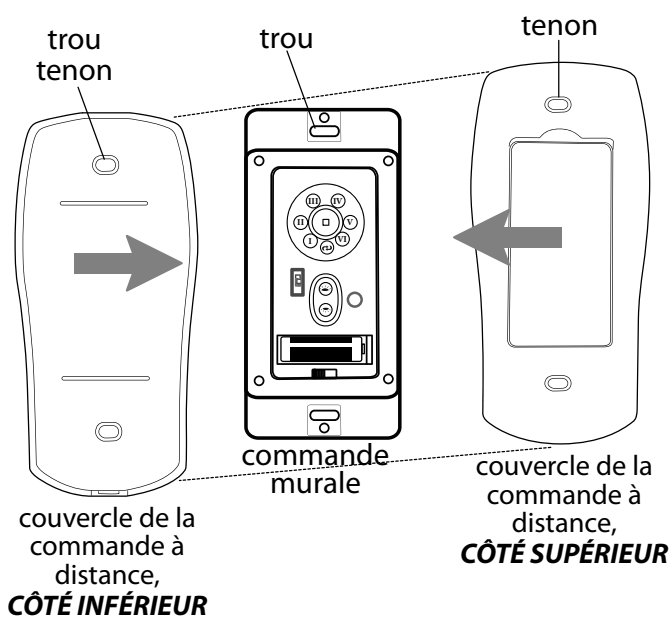


schéma 2



11. Processus d'apprentissage automatisé / Activation du code.

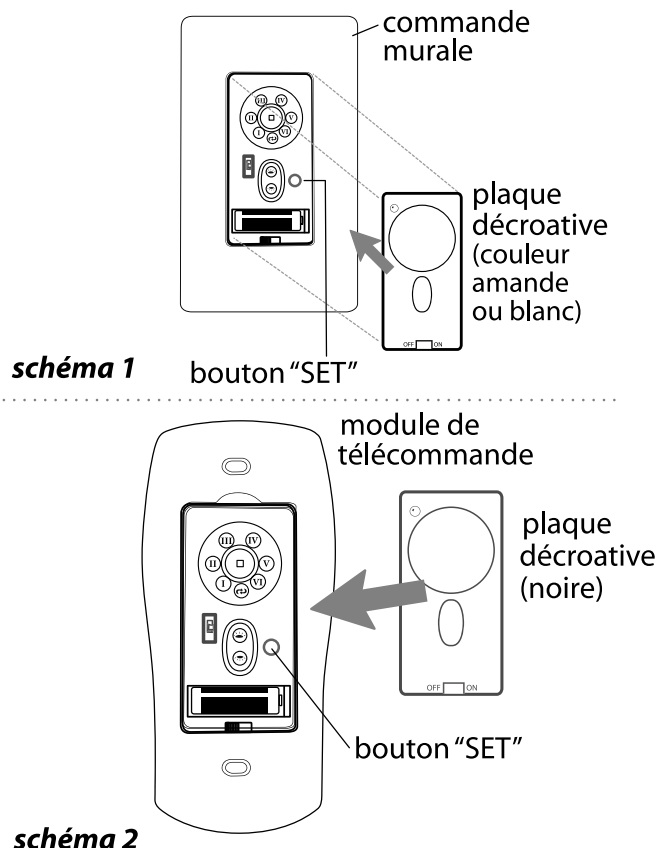
ATTENTION : La commande murale et/ou le module de télécommande peuvent être programmé(s) de telle sorte qu'ils/elle contrôle(nt) plusieurs récepteurs ou ventilateurs. Si vous ne souhaitez pas programmer d'autres récepteurs ou ventilateurs programmables, mettez l'interrupteur mural de ceux-ci en position arrêt.

Rétablissez l'alimentation électrique puis, si vous utilisez la commande murale, amenez le commutateur à glissière de la commande murale en position ON (MARCHE). Dans les 60 secondes suivant la mise en marche de la commande murale, appuyez et maintenez enfoncé le bouton **SET** situé sur la commande murale pendant 5 secondes ou jusqu'à ce que la lumière clignote deux fois.

Testez les fonctions de l'éclairage et du ventilateur pour vous assurer que le processus d'apprentissage soit terminé - voir Section 13.

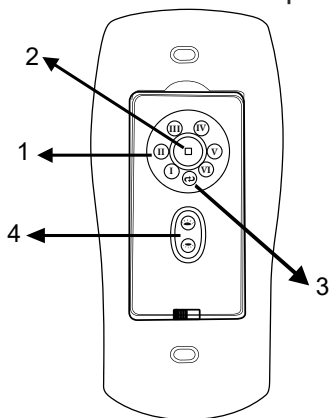
Choisissez une plaque décorative (couleur amande ou blanc) et montez celle-ci en la pressant fermement sur la face avant de la commande murale précédemment installée à la boîte de sortie du mur [Voir **schéma 1**.]

Fixez la plaque décorative noire sur la face avant de la commande murale ; appuyez fermement. [Voir **schéma 2**.]



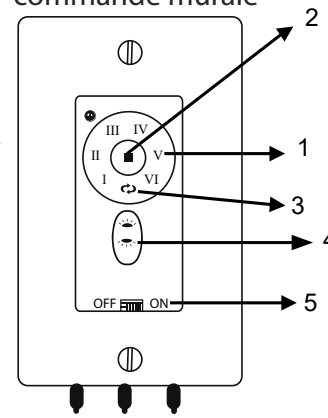
12. Utilisation de la commande à distance / murale.

commande à distance portative



IMPORTANT :
Les commandes à distance portative et murale doivent être **SYNCHRONISÉES** avec le ventilateur afin de fonctionner correctement.

commande murale






Boutons de commande de la **VITESSE** du ventilateur -- 1 :
Bouton "**OFF**" (**ARRÊT**) du ventilateur -- 2 :
Bouton fonction **INVERSION** du ventilateur -- 3 :
Bouton **ÉCLAIRAGE** -- 4 :
Commutateur à glissière **ON/OFF** -- 5 :

Utilisés pour contrôler la vitesse du ventilateur de 1 à 6
Utilisé pour arrêter le ventilateur
Utilisé pour contrôler le sens de rotation du ventilateur
Utilisé pour baisser ou monter l'intensité de l'éclairage (le cas échéant)
[s'applique à la commande murale uniquement] Utilisé pour la mise en marche ON ou l'arrêt OFF au niveau de la commande murale

IMPORTANT : Le processus d'apprentissage automatisé prend **approximativement 5 minutes**. Veuillez **laisser le ventilateur en position "MARCHE"** pour la durée des 5 minutes de programmation et **N'utilisez PAS la commande à distance et ne coupez pas l'alimentation** pendant ce temps. Le ventilateur effectuera un cycle en passant par **TOUTES LES SIX (6) vitesses en marche avant puis en sens inverse**, et **s'arrêtera automatiquement** une fois le processus d'apprentissage terminé.

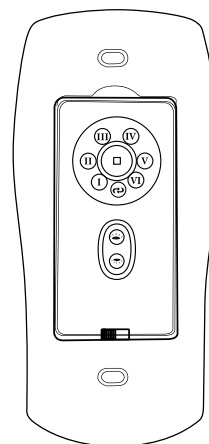
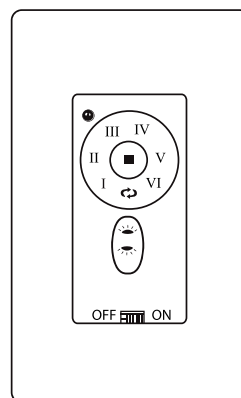
13. Comment tester votre ventilateur.

Il est recommandé de tester le ventilateur avant de mettre la dernière main à votre installation. Rétablir l'alimentation électrique au niveau de la boîte à fusibles et de l'interrupteur mural (le cas échéant). Testez la commande murale (installation facultative en localisant l'interrupteur coulissant ON/OFF (Marche/Arrêt) sur la commande murale puis amenez le en position ON (Marche). Testez la fonction lumière et variateur puis les vitesses du ventilateur. Trouvez ensuite le module télécommande. Testez les vitesses du ventilateur avec les différents boutons du module de télécommande. Testez la fonction MARCHÉ/ARRÊT de la lumière à l'aide du bouton  ; testez la fonction variateur en appuyant et en maintenant le bouton  enfoncé pendant 1 second. Si toutes les fonctions ventilateur de la commande murale/du module de télécommande sont opérationnelles, la batterie a été installée correctement. Si la commande murale et/ou le module de télécommande ne permet(tent) pas de contrôler toutes les fonctions du ventilateur, veuillez consulter la section "Dépannage" pour résoudre toute question avant de contacter le Service Clientèle.

La vitesse du ventilateur *doit être* sur la vitesse LENTE avant d'utiliser "LOW" (vitesse la moins élevée), avant d'utiliser le bouton fonction d'inversion de la direction des pales du ventilateur. Utilisez le bouton  pour le recyclage/brassage d'air selon la saison. Un ventilateur de plafond vous permettra de régler votre thermostat sur une température plus élevée en été et moins élevée en hiver sans que cela n'affecte votre confort.

REMARQUE : Si la commande murale/le module de télécommande interfère avec d'autres appareils, activez un nouveau code pour la commande murale/le module de télécommande en ***coupant l'alimentation électrique d'abord***. Référez vous aux instructions en ce qui concerne le bouton SET figurant la Section 11 (page 11).

IMPORTANT : Les commandes à distance et murale doivent être synchronisées avec le ventilateur afin de fonctionner correctement.



Dépannage

AVERTISSEMENT : *Le fait de ne pas débrancher l'alimentation électrique avant toute recherche de panne ou diagnostic de problèmes au niveau du câblage peut entraîner des blessures graves.*

Problème : Le ventilateur ne fonctionne pas.

Solutions :

1. Vérifiez l'interrupteur mural de la commande à distance.
2. Vérifiez si le ventilateur est correctement câblé.
3. Il est possible que le processus d'apprentissage entre le ventilateur et le module de télécommande/murale ait échoué et que le code n'ait pas été activé. Coupez l'alimentation et répétez les instructions de la Section 11 (page 11) en ce qui concerne le bouton SET.
4. Vérifiez que le voyant rouge sur l'émetteur de la commande à distance s'allume lorsqu'un bouton est enfoncé, indiquant que la batterie est en bon état.
5. Vérifiez que les prises mâle et femelle sont correctement branchées dans la plaque de l'adaptateur.

Problème : Kit d'éclairage ne s'allume pas.

Solutions :

1. Vérifiez l'interrupteur mural de la commande à distance.
2. Vérifiez si les fils se trouvant dans la garniture sont raccordés correctement.
3. Vérifiez que les connexions mâle et femelle du kit d'éclairage a DEL sont raccordées correctement.
4. Il est possible que le processus d'apprentissage entre le ventilateur et le module de télécommande/murale ait échoué et que le code n'ait pas été activé. Coupez l'alimentation et répétez les instructions de la Section 11 (page 13) en ce qui concerne le bouton SET.

Problème : Le ventilateur fonctionne mais le kit d'éclairage ne fonctionne pas.

Solutions :

1. Vérifiez si les fils se trouvant dans la garniture sont raccordés correctement.
2. Vérifiez que les connexions mâle et femelle du kit d'éclairage a DEL sont raccordées correctement.

Problème : Le ventilateur et la lumière ne fonctionnent pas avec le module de télécommande.

Solutions :

1. Vérifiez la batterie du module de télécommande.
2. Il est possible que le processus d'apprentissage entre le ventilateur et le module de télécommande/murale ait échoué et que le code n'ait pas été activé. Coupez l'alimentation et répétez les instructions de la Section 11 (page 11) en ce qui concerne le bouton SET.

Problème : Le ventilateur oscille.

Solutions :

1. Vérifiez et assurez-vous que la (les) vis de fixation sur l'étrier du carter moteur est (sont) fermement serré(s).

Garantie.

GARANTIE LIMITÉE À VIE CRAFTMADE™ :

CRAFTMADE garantit ce ventilateur au ménage acheteur d'origine pour une utilisation en intérieur selon les dispositions et aux conditions suivantes :

GARANTIE DE 1 AN : CRAFTMADE remplacera ou procédera à la réparation de tout ventilateur au fonctionnement défectueux en raison d'un défaut de pièce ou de main d'œuvre. Contactez le Service Clientèle de Craftmade au **1 800 486-4892** pour convenir des dispositions à prendre pour renvoyer le ventilateur. Renvoyez le ventilateur, port payé, à Craftmade. Nous procéderons à la réparation ou vous enverrons un ventilateur de remplacement et prendrons en charge les frais d'envoi pour le retour.

GARANTIE QUINQUÉNALE : CRAFTMADE procédera à la réparation ou au remplacement, sans frais pour le consommateur initial, de tout moteur de ventilateur qui ne fonctionne pas de façon satisfaisante, lorsque cette défaillance résulte d'une utilisation normale.

RENOYER LE MOTEUR DU VENTILATEUR UNIQUEMENT en port payé à Craftmade. Nous procéderons à la réparation ou enverrons au consommateur un moteur de remplacement et Craftmade prendra en charge les frais d'envoi pour le retour.

GARANTIE LIMITÉE de 6 ANS à VIE : CRAFTMADE procédera à la réparation du ventilateur, sans frais de main d'œuvre uniquement pour le consommateur initial, si le moteur ne fonctionne pas de façon satisfaisante, et lorsque cette défaillance résulte d'une utilisation normale. Les pièces utilisées pour la réparation seront facturées au consommateur aux tarifs en vigueur au moment de la réparation.

Tous les frais encourus pour la dépose, la réinstallation et l'envoi des produits à réparer seront à la charge du consommateur.

Cette garantie devient caduque lorsque la défaillance est le résultat d'une mauvaise utilisation mécanique, physique, électrique ou provient de dégâts des eaux. Il est spécifiquement entendu que la détérioration des finitions ou d'autres parties en raison du temps ou de l'exposition prolongée à l'air marin n'est pas couverte par la présente garantie.

Craftmade ni le fabricant n'assumeront une quelconque responsabilité résultant d'une mauvaise installation ou utilisation de ce produit. En aucun cas la société ne saura-t-elle être tenue pour responsable quant à de quelconques dommages connexes par suite de la rupture explicite ou implicite de la présente ou de toute autre garantie. Ces restrictions concernant les dommages connexes ne s'appliquent pas dans les états où elles sont interdites.

Pièces de rechange.

Pour les pièces et informations, veuillez consulter la « Liste des pièces » en page 3.

Service clientèle Craftmade:

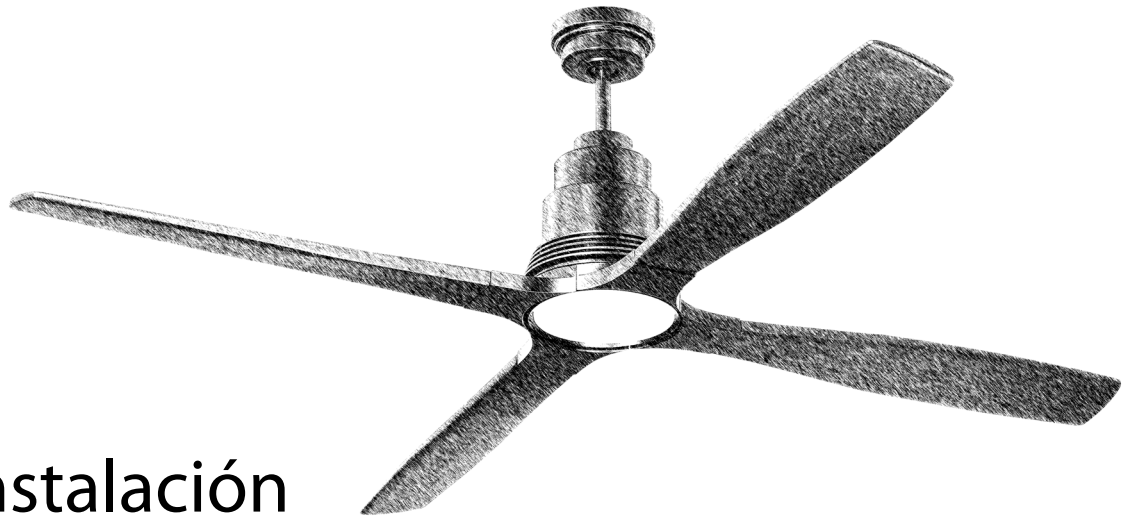
1 800 486-4892

www.craftmade.com

CRAFTMADE™

CRAFTMADE™

LEER ESTAS INSTRUCCIONES Y
GUARDARLAS PARA UTILIZACIÓN FUTURA



Ricasso

Guía de instalación

Para modelo:

RIC60

Índice de materias:

Sugerencias de seguridad. Pág. 2

Desempaquetado del ventilador. Pág. 3

Inventario de piezas. Pág. 3

Preparación para la instalación. Pág. 4

Instalación del soporte de montaje. Pág. 4

Ensamblaje del ventilador. Págs. 5 - 6

Instalación eléctrica. Pág. 7

Colocación de la cubierta decorativa. Pág. 8

Colocación de las aspas. Pág. 8

Instalación del juego de luz LED. Pág. 9

Ensamblaje del control remoto de mano. Pág. 10

Proceso de aprendizaje automático./

Activar el código. Pág. 11

Funcionamiento del control remoto/

de pared. Pág. 11

Verificación del funcionamiento del

ventilador. Pág. 12

Localización de fallas. Pág. 13

Garantía. Pág. 13

Piezas de repuesto. Pág. 13



peso neto del ventilador: 8 kg (17,64 lb)

SUGERENCIAS DE SEGURIDAD.

ADVERTENCIA: para evitar la posibilidad de una descarga eléctrica, desconectar la corriente en la caja de fusibles principal o el interruptor protector antes de iniciar la instalación del ventilador o antes de repararlo o instalar accesorios.

1. LEER TODAS LAS INSTRUCCIONES E INFORMACIÓN DE SEGURIDAD CUIDADOSAMENTE ANTES DE INSTALAR SU VENTILADOR Y GUARDAR ESTAS INSTRUCCIONES.

PRECAUCIÓN: para reducir el riesgo de daño corporal, es posible que sea necesario usar guantes al manejar las piezas del ventilador que tengan bordes afilados.

2. Asegurarse de que todas las conexiones eléctricas cumplan con los Códigos o las Ordenanzas Locales, el Código Nacional Eléctrico y ANSI/NFPA 70-1999. Si usted no está familiarizado con el alambrado eléctrico o los cables de la casa/el edificio son de colores diferentes a los cuales se refieren en las instrucciones, favor de buscar un electricista calificado.
3. Asegurarse de que haya localizado una ubicación para su ventilador que permite el espacio necesario para la rotación de las aspas, y por lo menos 2,13 metros (7 pies) de espacio libre entre el piso y las puntas de las aspas. Debe instalar el ventilador para que las puntas de las aspas queden a una distancia de por lo menos 76 centímetros (30 pulgadas) de las paredes y otras estructuras verticales.
4. La caja de salida eléctrica debe estar bien sujeta a la viga de soporte del techo y deben ser capaces de sostener por lo menos 16 kilogramos (35 libras). La caja de salida debe tener apoyo directo de la estructura del edificio. Sólo usar cajas de salida registradas con CUL (Canadá) o UL (EEUU) que indican que "sirven para ventilador" ("FOR FAN SUPPORT" en inglés).

ADVERTENCIA: para reducir el riesgo de incendio, descarga eléctrica o daño corporal, instalar en la caja de salida marcada "Aceptable para sostener ventilador de 15,9 kg (35 lb) o menos" ["Acceptable for Fan Support of 15.9 kg (35 lb) or less"] y utilizar los tornillos proporcionados con la caja de salida. La mayoría de las cajas de salida que normalmente se usan para sostener los aparatos de alumbrado no siempre son apropiadas para sostener ventiladores y es posible que las tenga que reemplazar. En caso de duda, consultar con un electricista calificado.

ADVERTENCIA: para reducir el riesgo de incendio, descarga eléctrica o daño corporal, los conectores para cable provistos con este ventilador son diseñados para aceptar sólo un cable de calibre 12 de la casa y dos cables principales del ventilador. Si el calibre del cable de la casa es superior al 12 o hay más de un cable de la casa para conectar a los cables principales del ventilador al cual corresponda cada uno, consultar con un electricista para informarse sobre el tamaño correcto de conectores para cable que se debe usar.

5. Los diagramas eléctricos son únicamente para referencia.
6. Después de haber terminado la instalación, asegurarse de que todas las conexiones estén totalmente seguras.
7. Después de haber terminado todas las conexiones eléctricas, los conductores empalmados deben ser volteados para arriba y colocados cuidadosamente dentro de la caja de salida. Los alambres se deben de separar con el conductor a tierra a un lado y el conductor a tierra del equipo al lado opuesto.

ADVERTENCIA: para reducir el riesgo de lesiones corporales graves, NO utilizar herramientas eléctricas para ensamblar las piezas del ventilador, incluso las aspas.

ADVERTENCIA: para reducir el riesgo de incendio o una descarga eléctrica, no usar el ventilador con ningún control de velocidad de estado sólido ni controlar la velocidad del ventilador con un interruptor con reductor de luz de gama completa. [El usar un interruptor con reductor de luz de gama completa para controlar la velocidad del ventilador causará un zumbido recio del ventilador.]

8. No utilizar el interruptor de reversa hasta que el ventilador se haya parado completamente. **[Nota:** Si se usa un control remoto con capacidad de reversa, cambiar la dirección de las aspas sólo cuando el ventilador esté en velocidad BAJA.]

ADVERTENCIA: para reducir el riesgo de daño corporal, no insertar objetos entre las aspas mientras estén rotando.

ADVERTENCIA: para reducir el riesgo de daño corporal o algún daño al ventilador, tener cuidado al estar trabajando alrededor del ventilador o limpiándolo.

9. No utilizar agua ni detergentes para limpiar el ventilador ni las aspas. Usar un trapo seco o ligeramente húmedo para su limpieza general.

ADVERTENCIA: para reducir el riesgo de daño corporal, usar **sólo** las piezas provistas con este ventilador. **Al usar piezas DISTINTAS a las provistas con este ventilador se invalidará la garantía.**

ADVERTENCIA: este ventilador DEBE instalarse con el cable de seguridad provisto. Si no se utiliza el cable de seguridad provisto, se pueden producir lesiones personales, daños al ventilador o a otras propiedades.

PRECAUCIÓN: la cubierta de metal que es para uso sin el juego de luz se CALENTARÁ si la luz se queda prendida. Para reducir el riesgo de daño corporal, el juego de luz debe estar APAGADO. Si piensa instalar la cubierta de metal, NO usar los botones de la luz en el control remoto.

PRECAUCIÓN: NO manipular ni intentar reparar el componente LED de la lámpara. La fuente de luz está diseñada para esta aplicación específica y el mantenimiento no debe estar a cargo de personal sin capacitación. Si necesita algún tipo de mantenimiento, llamar a nuestro departamento de Servicio al cliente.

10. El juego de luz LED se puede regular al 10% con reguladores seleccionados.

Las modificaciones no aprobadas por la parte responsable de la conformidad podrían invalidar la autorización del usuario para manejar el equipo. [El equipo se refiere al control remoto y/o el control de pared y/o el juego de luz LED.]

NOTA: se han hecho pruebas en este equipo y se ha comprobado que cumple con los límites para un aparato digital de clase B, de acuerdo con la Parte 15 de las Reglas de la FCC. Se concibieron estos límites para proveer protección razonable contra la interferencia adversa en una instalación residencial. Este equipo produce, usa y puede radiar energía de radiofrecuencia y, si no se instala y no se usa según las instrucciones, puede causar interferencia adversa en la radiocomunicación. Sin embargo, no hay ninguna garantía de que no habrá interferencia en una instalación en particular. Si este equipo sí causa interferencia adversa en la recepción de radio o televisión, que se puede determinar apagando y prendiendo el equipo, se le urge al usuario a intentar rectificar la interferencia tomando una o más de las medidas que siguen:

- * Orientar la antena de nuevo o localizarla en otro sitio.
- * Aumentar la separación entre el equipo y el receptor.
- * Conectar el equipo a un tomacorriente en un circuito distinto al cual está conectado el receptor.

Solicitar ayuda del distribuidor o un técnico de radio/televisión.

El juego de luz LED cumple con la sección 15 de las reglas de la FCC. Se sujeta el funcionamiento a las dos condiciones siguientes: (1) este juego de luz LED no puede causar una interferencia perjudicial, (2) este juego de luz LED tiene que aceptar cualquier interferencia recibida, inclusive interferencia que puede producir un funcionamiento indeseado.

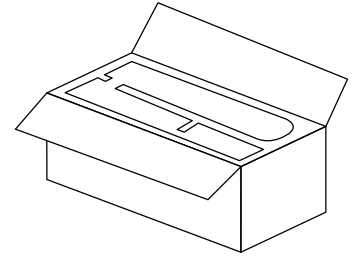
Distribuido por: Craftmade, 3901 S. 20th Avenue, DFW Airport, TX 75261; 1-800-486-4892

NOTA: no se debe concluir que las precauciones de seguridad importantes e instrucciones en este manual van a abarcar todas las condiciones y situaciones posibles que puedan ocurrir. Se debe entender que el sentido común y la precaución son factores necesarios en la instalación y la operación de este ventilador.

1. Desempaquetado del ventilador.

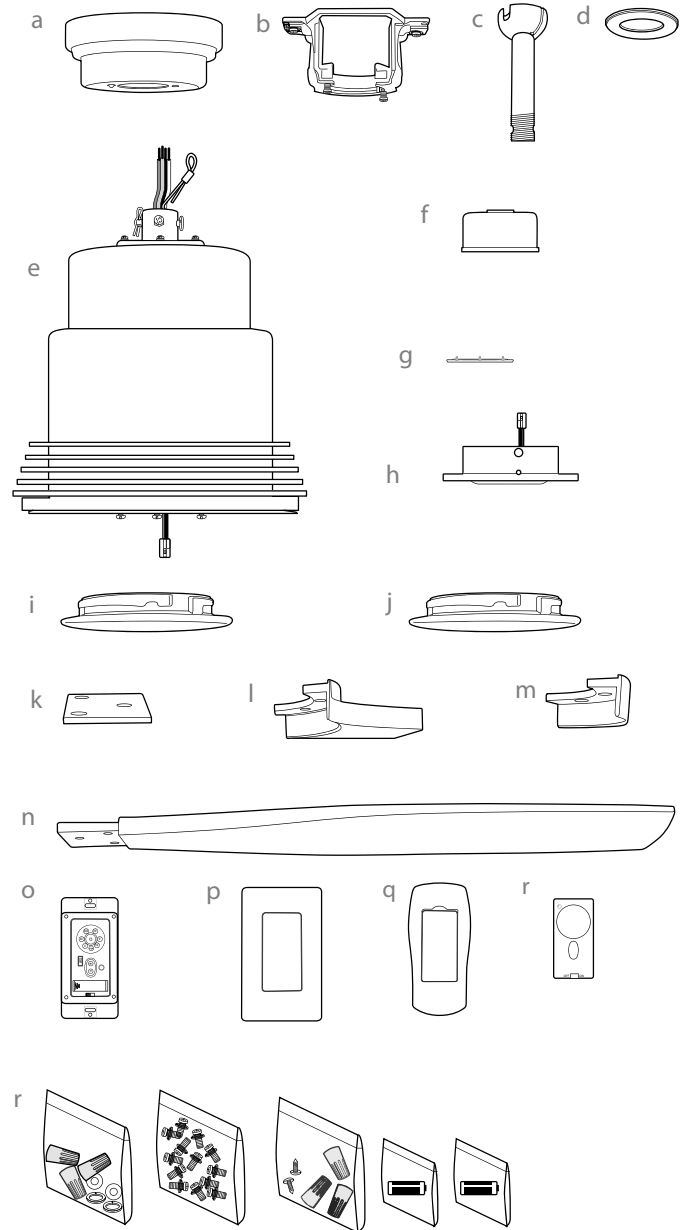
Abrir el empaque cuidadosamente. Sacar los artículos del embalaje. Sacar el motor y ponerlo en una alfombra o en el embalaje para evitar rayar el acabado. Guardar la caja de cartón o el empaquetamiento original en caso de que tenga que mandar el ventilador para alguna reparación.

Comprobar las piezas del ventilador con el inventario de piezas y verificar que se incluyeron todas.



2. Inventario de piezas.

- a.** cubierta decorativa. 1 unidad
- b.** soporte de montaje. 1 unidad
- c.** tubo y bola que sirve para colgar. 1 unidad
- d.** tapa de la cubierta decorativa. 1 unidad
- e.** bastidor del motor. 1 unidad
- f.** cubierta del cuello. 1 unidad
- g.** placa de conexión. 1 unidad
- h.** juego de luz LED. 1 unidad
- i.** pantalla. 1 unidad
- j.** cubierta de metal. 1 unidad
- k.** placa del aspa. 4 unidades
- l.** brazo para el aspa. 4 unidades
- m.** pared del brazo para el aspa. 2 unidades
- n.** aspa. 4 unidades
- o.** control de pared. 2 unidades
- p.** placa. 1 unidad
- q.** cubierta del control remoto. 1 unidad
- r.** tapa. 3 unidades
- s.** paquetes de artículos de ferretería



⚠ RECORDATORIO IMPORTANTE:
Se tienen que utilizar las piezas provistas con este ventilador para una instalación adecuada y su seguridad. **⚠**

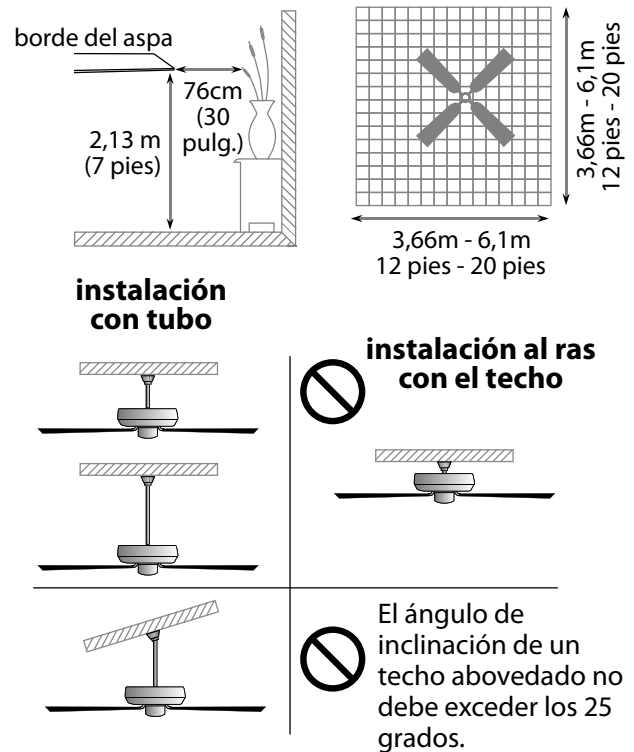
3. Preparación para la instalación.

Para prevenir daño corporal y otros daños, estar seguro de que el lugar en donde va a colgar el ventilador le permite un espacio libre de 2,13m (7 pies) entre las puntas de las aspas y el piso y 76cm (30 pulg.) entre las aspas y cualquier pared u otra obstrucción. Este ventilador es adecuado para habitaciones hasta 37,2 metros cuadrados (400 pies cuadrados).

Se puede colgar este ventilador **con el tubo** en un techo regular (sin inclinación) o abovedado. La longitud colgante se puede extender comprando un tubo más largo (con diámetro de 1,27cm/0,5 pulg.). No hay ningún otro tipo de instalación, como **al ras con el techo**, disponible para este ventilador.

Se necesitan las herramientas siguientes para la instalación:

destornillador de estrella Phillips, destornillador de paleta (plano), alicates ajustables o llave de tuercas, escalera de tijera, cortaalambres y cinta aisladora.



4. Instalación del soporte de montaje.

Apagar los cortacircuitos en el panel de electricidad que suplen corriente a la caja de salida y asegurarse de que el interruptor de luz esté APAGADO.

ADVERTENCIA: el no desconectar el suministro de fuerza antes de la instalación puede tener por resultado lesiones graves.

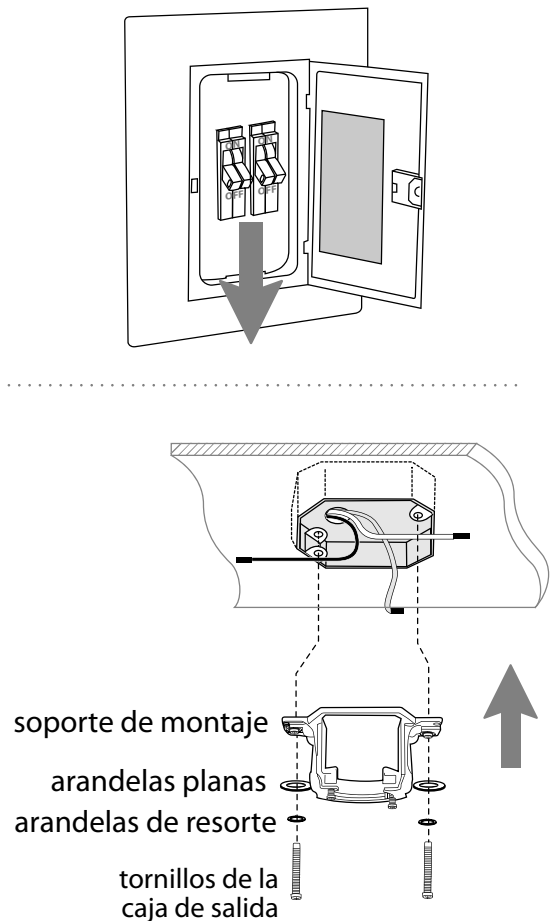
Quitar el aparato existente.

ADVERTENCIA: si utiliza una caja de salida existente, asegurarse de que la caja de salida esté firmemente conectada a la estructura del edificio y que sea capaz de sostener el peso total del ventilador. Asegurarse de que la caja indique claramente que "Sirve para ventilador" (FOR FAN SUPPORT); si no, se debe reemplazar con una caja de salida aprobada. El no hacer el cambio si es necesario puede resultar en lesiones graves.

PRECAUCIÓN: asegurarse de que la caja de salida esté conectada a tierra correctamente y que haya un conductor a tierra (cable VERDE o pelado).

Instalar el soporte de montaje utilizando los tornillos originales, las arandelas de resorte y las arandelas planas de su nueva o existente caja de salida.* Si hace la instalación en un techo abovedado, colocar el soporte de montaje con la abertura dirigida hacia la parte alta del techo. Arreglar el alambrado eléctrico (los cables) en la parte de atrás del soporte y lejos de la abertura del soporte.

***Nota:** es muy importante usar los artículos de ferretería correctos al instalar el soporte de montaje puesto que sirve para sostener el ventilador.



5. Ensamblaje del ventilador.

Quitar la bola que sirve para colgar del tubo provisto aflojando el tornillo de fijación de la bola que sirve para colgar. Bajar la bola que sirve para colgar y sacar el perno de tope y luego quitar la bola que sirve para colgar deslizando. [Referirse al **diagrama 1**].

Aflojar los tornillos de fijación del cuello y las tuercas en la parte superior del bastidor del motor. Quitar el perno y la clavija del cuello del bastidor del motor. [Referirse al **diagrama 2**].

Sugerencia: para preparar los cables para pasarlos por el tubo, poner un pedacito de cinta aisladora en la punta de los cables--esto mantendrá los cables juntos al pasarlos por el tubo. [Referirse al **diagrama 2**].

Determinar el largo del tubo que desea usar. Pasar los cables del ventilador y el cable de seguridad a través del extremo del tubo que tenga rosca y con cuidado jalar el cableado en exceso por la parte de arriba del tubo. [Referirse al **diagrama 2**].

Enroscar el tubo en el cuello del bastidor del motor hasta alinearse los agujeros para el perno y la clavija en el tubo con los del cuello—asegurarse de que no se tuerzan los cables. Volver a introducir el perno y la clavija que se quitaron anteriormente. Apretar los tornillos de fijación del cuello y la tuerca completamente. [Referirse al **diagrama 2**].

Deslizar la cubierta del cuello, la tapa de la cubierta decorativa y la cubierta decorativa por el tubo. [Referirse al **diagrama 3**]. (**Nota:** se debe voltear la tapa de la cubierta decorativa para que el lado brillante dé al bastidor del motor).

Pasar los cables y el cable de seguridad por la bola que sirve para colgar y luego deslizar la bola que sirve para colgar sobre el tubo--la parte de arriba del tubo debe tener el agujero para el tornillo de fijación en ese extremo; usar ese agujero al colocar el tornillo de fijación. Introducir el perno de tope en la parte de arriba del tubo y subir la bola que sirve para colgar. Asegurarse de que el perno de tope se ponga en línea con las ranuras dentro de la bola que sirve para colgar. Apretar bien el tornillo de fijación. [Referirse al **diagrama 4**].

ADVERTENCIA: si no se aprieta bien el tornillo de fijación (en la bola que sirve para colgar) es posible que se afloje el ventilador y que se caiga.

[El "Ensamblaje del ventilador" continúa en la página siguiente].

NOTA: no se debe concluir que las precauciones de seguridad importantes e instrucciones en este manual van a abarcar todas las condiciones y situaciones posibles que puedan ocurrir. Se debe entender que el sentido común y la precaución son factores necesarios en la instalación y la operación de este ventilador.

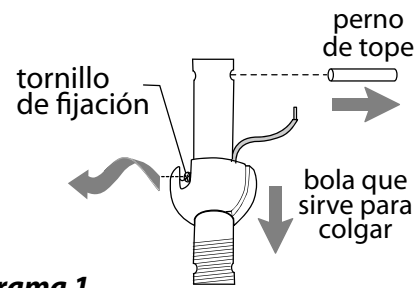


diagrama 1

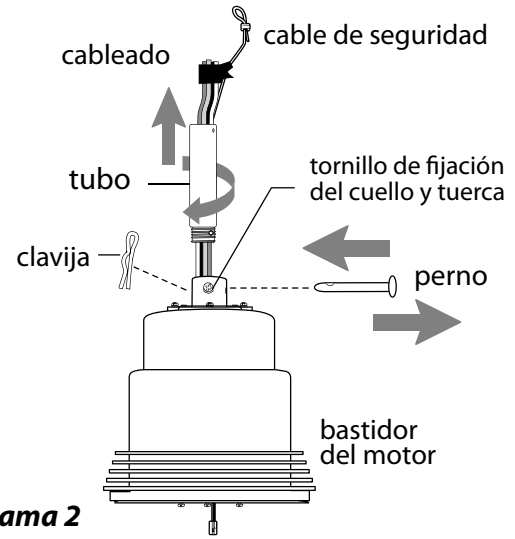


diagrama 2

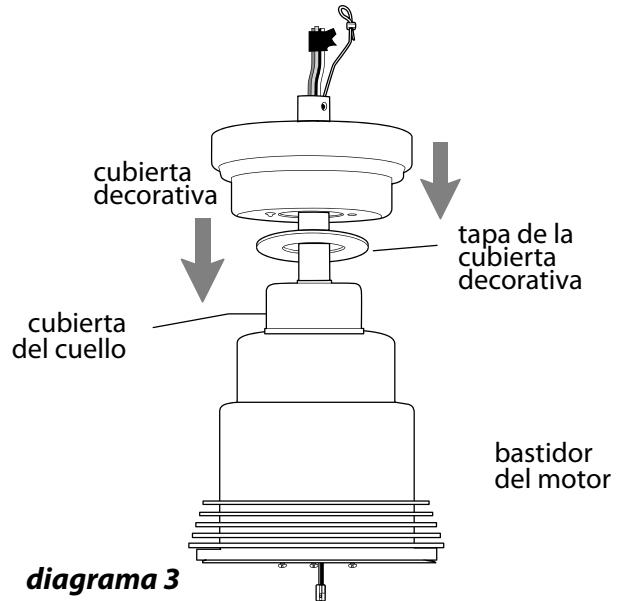


diagrama 3

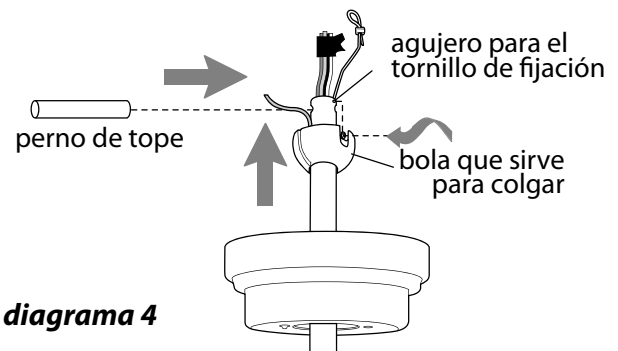


diagrama 4

5. Ensamblaje del ventilador. (cont.)

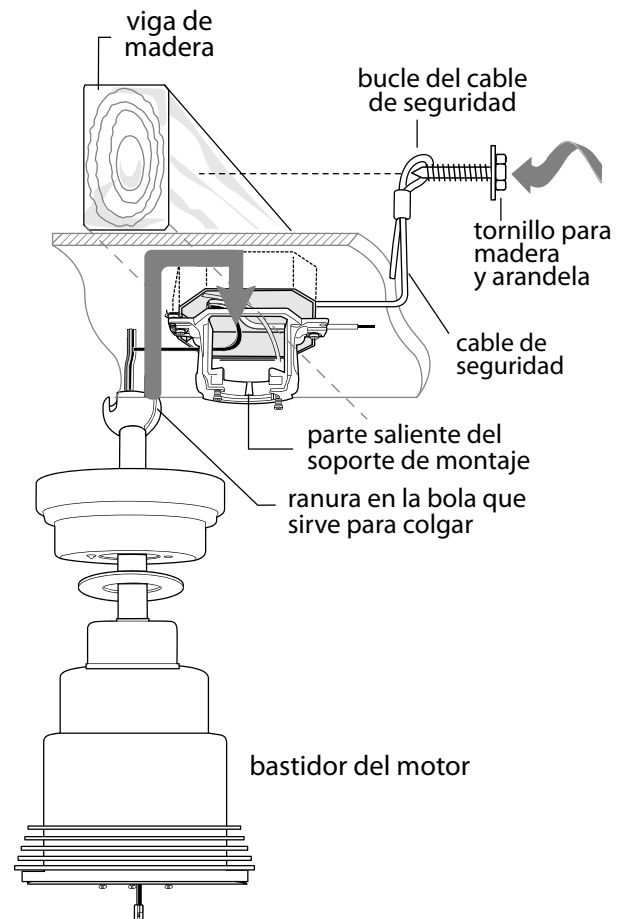
Ya que esté sujeto el soporte de montaje a la caja de salida y capaz de apoyar el ventilador, usted está listo para colgar el ventilador. Agarrar el ventilador firmemente con las dos manos. Deslizar el tubo por la abertura del soporte de montaje y dejar que se detenga la bola en el soporte de montaje. Girar la bola que sirve para colgar hasta que la ranura de la bola se alinee con la parte saliente del soporte de montaje.

ADVERTENCIA: el no alinear la ranura en la bola que sirve para colgar con la parte saliente del soporte de montaje puede causar lesiones graves o la muerte.

Sugerencia: solicitar ayuda de otra persona para mantener sujeta la escalera y para que le suba el ventilador cuando usted ya esté listo en la escalera para colgarlo.

Encontrar un punto de acoplamiento seguro (se recomienda la viga de madera en el techo) y asegurar el cable de seguridad. Utilizar tornillo para madera para trabajos pesados, arandela y arandela de seguridad (no provistos) en el bucle del cable de seguridad. Si es necesario, ajuste el bucle en el extremo del cable de seguridad. El bucle en el extremo del cable de seguridad debe ser de tal tamaño que pase justo sobre la punta de la parte roscada del tornillo para madera.

Poner el cable a prueba, jalando con un alicate la parte suelta en la punta del cable. Si el cable se desliza o se reduce el bucle del cable por donde pasa el tornillo, hay que ajustar el bucle de nuevo. Se puede poner el cable en exceso en el área del techo.



6. Instalación eléctrica.

ADVERTENCIA: apagar los cortacircuitos en el panel de electricidad que suplen corriente a la caja de salida y asegurarse de que el interruptor de luz esté APAGADO.

PRECAUCIÓN: asegurarse de que la caja de salida esté conectada a tierra como es debido y que exista un conductor a tierra (**VERDE** o pelado).

Asegurarse de que toda conexión eléctrica cumpla con los Códigos o las Ordenanzas Locales y el Código Nacional Eléctrico. Si usted no está familiarizado con la instalación eléctrica o los cables de la casa/el edificio son de colores diferentes a los cuales se refieren a continuación, favor de buscar un electricista calificado.

Nota: si la longitud del alambrado que sale del ventilador es demasiado, se puede cortarlo al largo deseado y luego pelarlo.

Una vez que el ventilador esté bien sujeto en el soporte de montaje, se puede hacer la instalación eléctrica como sigue:

Conectar los cables **NEGRO** del ventilador al cable **NEGRO** del techo con un conector para cable provisto. Conectar el cable **BLANCO** del ventilador al cable **BLANCO** del techo con un conector para cable provisto. Conectar todos los **CONDUCTORES A TIERRA (VERDES)** del ventilador a los **PELADOS/VERDES** del techo con un conector para cable provisto.

* Como una medida de seguridad adicional, envolver cada conector para cable por separado con cinta aisladora.

[**FAVOR DE DARSE CUENTA:** hay que utilizar el control de pared y/o el control remoto de mano para que funcione el ventilador. Si **no** desea utilizar el control de pared, favor de pasar a la sección 7 a continuación para seguir con la instalación del ventilador.]

Para instalar el control de pared, quitar el interruptor de pared existente. Alambrar uno de los controles de pared con los conectores para cable provistos así como se muestra en el diagrama al lado.

* Como una medida de seguridad adicional, envolver cada conector para cable con cinta aisladora. Delicadamente meter los cables y los conectores para cable que tienen cinta dentro de la caja de salida.

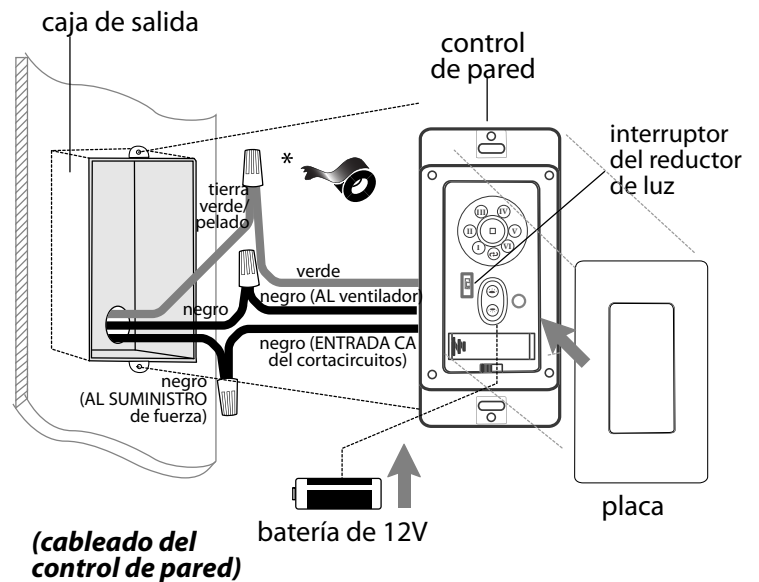
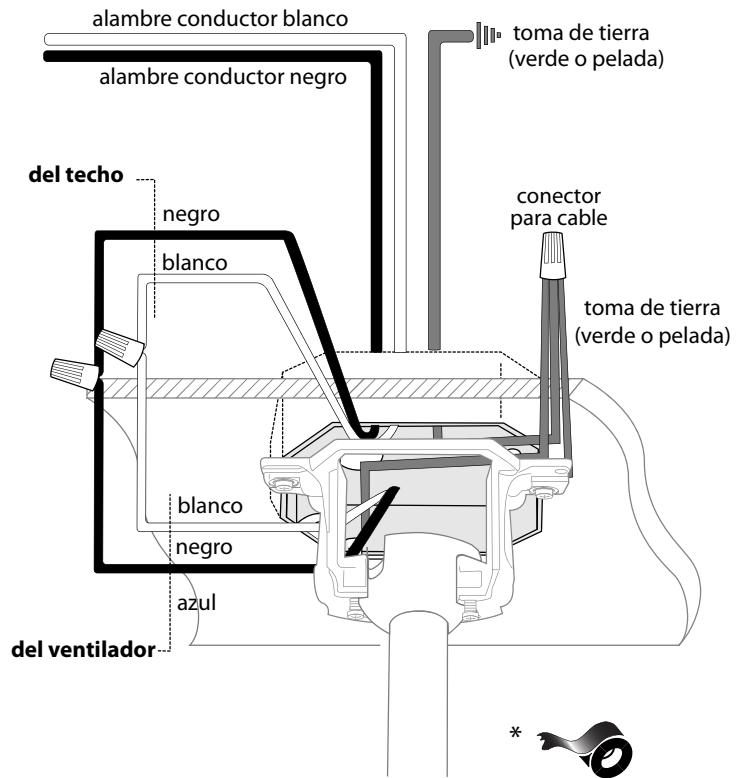
Instalar 1 batería de 12 voltios (incluida) en el control de pared.

IMPORTANTE: el control de pared no funcionará sin que se instale la batería.

ADVERTENCIA: la batería se debe introducir en la polaridad correcta.

Ya que este ventilador viene con un juego de luz LED, el interruptor del reductor de luz (etiquetado **ON** y **D**) está programado de antemano en posición de "ENCENDIDO" (**ON**). Si no desea tener la capacidad de bajar la luz, favor de mover el interruptor a la posición de "APAGADO" (**D**).

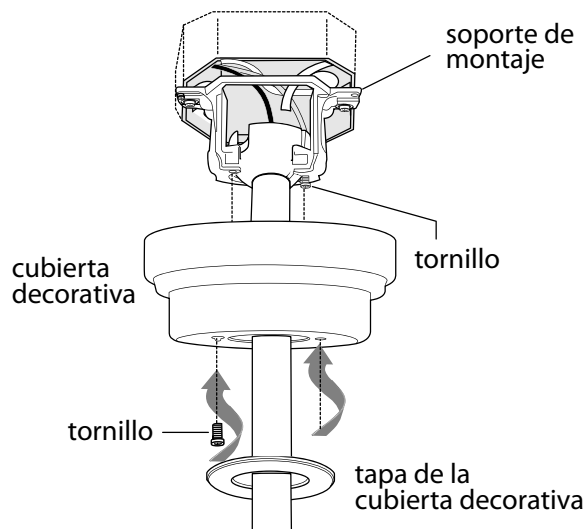
Sujetar el control de pared a la caja de salida y asegurarlo con los tornillos del interruptor de pared original. Sujetar la placa (incluida) al control de pared usando los 2 tornillos provistos con el control de pared.



7. Colocación de la cubierta decorativa.

Localizar los 2 tornillos en la parte inferior del soporte de montaje y quitar el tornillo que está localizado más cerca del extremo abierto del soporte de montaje. Aflojar parcialmente el otro tornillo. Elevar la cubierta decorativa hasta el soporte de montaje. Poner la parte redondeada del agujero con ranura en la cubierta decorativa encima del tornillo aflojado en el soporte de montaje y empujar hacia arriba. Girar la cubierta decorativa para cerrarla. Volver a introducir el tornillo que se quitó y luego apretar bien ambos tornillos.

Subir la tapa de la cubierta decorativa hasta la cubierta decorativa, alineando la parte redondeada de los agujeros con ranura en la tapa de la cubierta decorativa con las cabezas de tornillo en el fondo de la cubierta decorativa. Girar la tapa de la cubierta decorativa a la derecha (en el sentido de las agujas del reloj) hasta que ya no gire.



8. Colocación de las aspas.

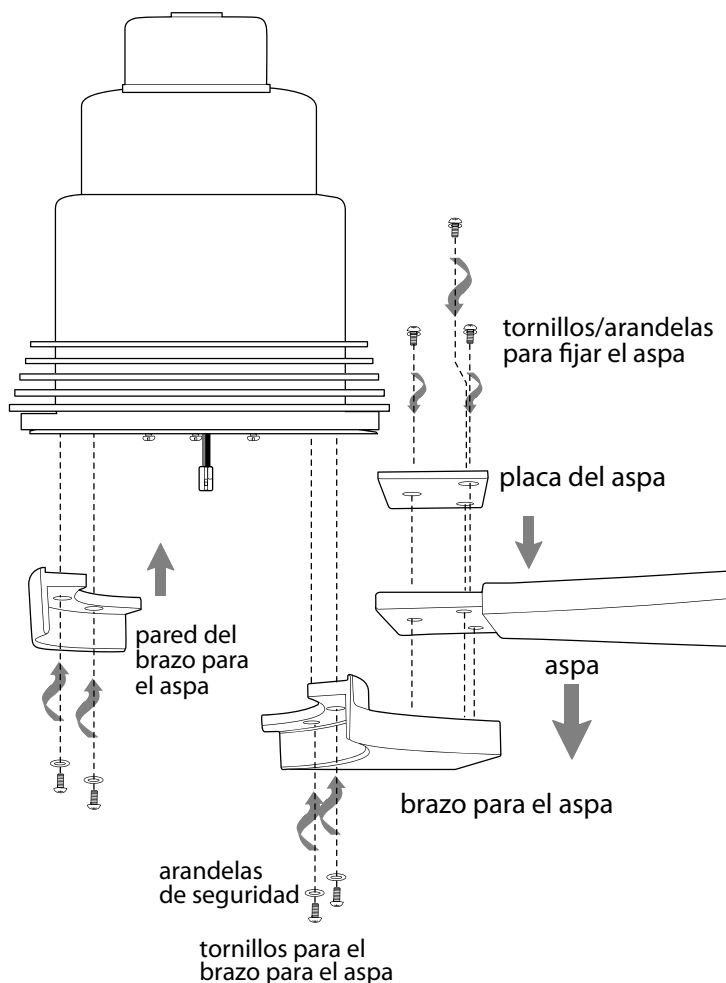
OPCIONES DE ASPAS: Se puede usar este ventilador con DOS o CUATRO aspas. **Si escoge la opción de DOS aspas**, instalar las paredes del brazo para el aspa en lados opuestos, utilizando los tornillos para los brazos para el aspa y las arandelas mencionados en el tercer párrafo más abajo.

ADVERTENCIA: para reducir el riesgo de lesiones corporales graves, NO utilice herramientas eléctricas para ensamblar las aspas. Si aprieta demasiado las aspas, estas podrían agrietarse y quebrarse.

Localizar los tornillos/arandelas para fijar las aspas en uno de los paquetes de artículos de ferretería. Agarrar uno de los brazos para las aspas y juntarlo con una de las aspas y alinear los agujeros. Colocar la placa del aspa sobre el aspa, alineando los postes en la placa para el aspa con los agujeros en el aspa, como se muestra e introducir tres tornillos/arandelas para fijar las aspas, con los dedos primero y luego apretarlos bien con un destornillador de estrella Phillips. Repetir el procedimiento con las demás aspas.

Sacar los tornillos para los brazos para el aspa y las arandelas de seguridad del lado inferior del motor. Alinear los agujeros de uno de los brazos para las aspas con los agujeros para los tornillos en el motor y fijar el brazo para el aspa con arandelas de seguridad y tornillos para el brazo para el aspa. Antes de apretar los tornillos bien, repetir el mismo procedimiento con los demás brazos para las aspas. Apretar bien todos los tornillos.

Nota: apretar los tornillos para los brazos para las aspas dos veces al año.



9. Instalación del juego de luz.

Quitar 1 tornillo de la placa del motor en el lado inferior del motor y parcialmente aflojar los otros 2 tornillos. Alinear los agujeros con ranura en la placa de conexión con los tornillos aflojados en la placa del motor, dejando que el enchufe hembra del bastidor del motor pase por el agujero de en medio de la placa de conexión. Girar la placa de conexión para cerrarla. Volver a introducir el tornillo que se quitó anteriormente y apretar bien los 3 tornillos con un destornillador de estrella Phillips. [Referirse al **diagrama 1**].

Quitar 1 tornillo del poste localizado en la parte inferior de la placa de conexión y parcialmente aflojar los otros 2 tornillos.

Si desea UTILIZAR el juego de luz, conectar el enchufe hembra del bastidor del motor al enchufe macho del juego de luz LED, haciendo combinar los colores del enchufe macho con los del enchufe hembra para un ajuste correcto. Asegurarse de que se conecten bien los enchufes. [NOTA: si no va a utilizar el juego de luz, NO conectar los enchufes]. Cuidadosamente arregle los cables dentro del juego de luz LED. Alinear los agujeros con ranura en el conector para el juego de luz con los tornillos aflojados en la placa de conexión. Girar el conector para el juego de luz para cerrarlo. Volver a introducir el tornillo que se quitó anteriormente y apretar bien los 3 tornillos. [Referirse al **diagrama 2**].

Localizar las ranuras en la pantalla y alinear con los nódulos dentro del juego de luz LED. Empujar la pantalla suavemente hacia arriba y girar la pantalla hacia la DERECHA (en sentido de las agujas del reloj) hasta que se quede encajada. [Referirse al **diagrama 3**].

Si NO desea utilizar el juego de luz, localizar las ranuras en la cubierta de metal y alinear con los nódulos dentro del juego de luz LED. Empujar la cubierta de metal suavemente hacia arriba y girarla hacia la DERECHA (en sentido de las agujas del reloj) hasta que se quede encajada. [Referirse al **diagrama 4**].

PRECAUCIÓN: no conectar el juego de luz LED si NO desea usar la luz.

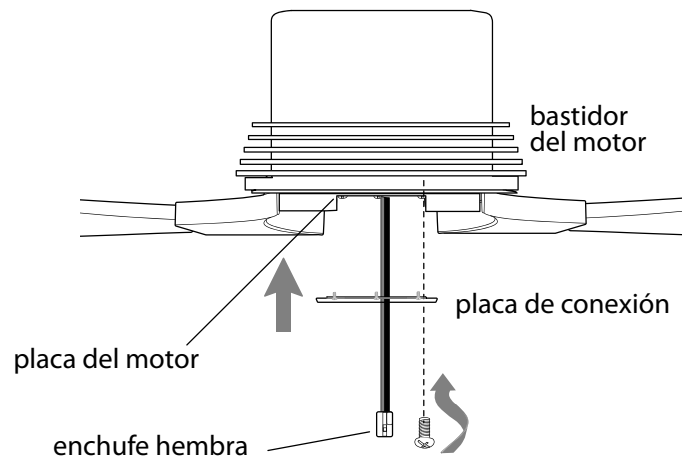


diagrama 1

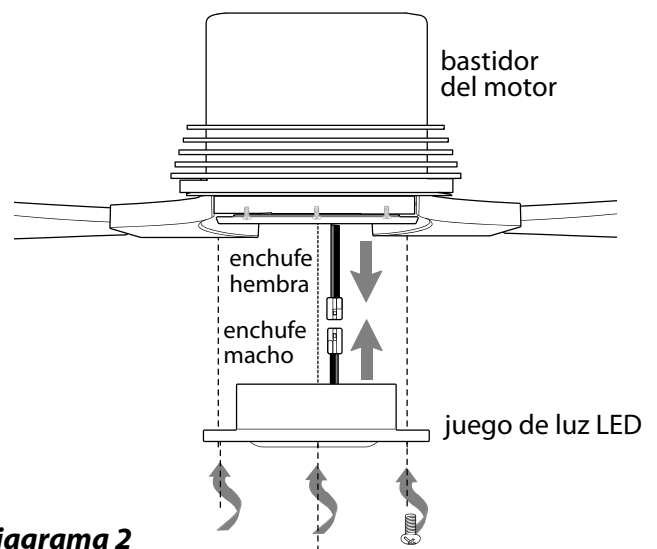


diagrama 2

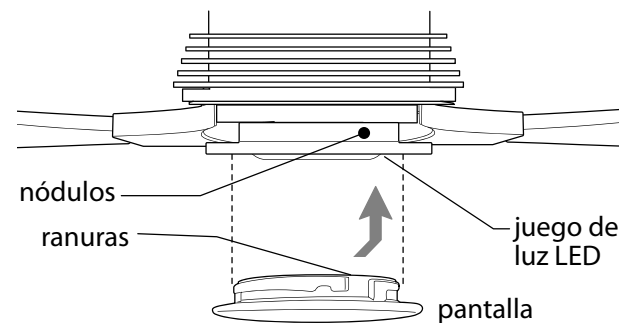


diagrama 3

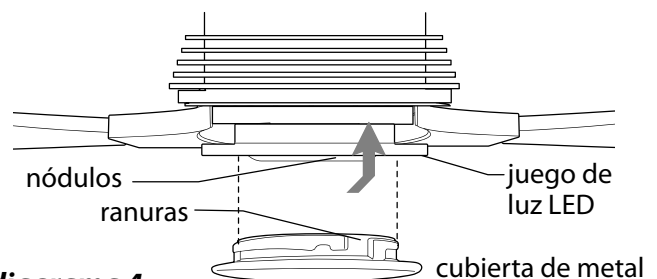


diagrama 4

10. Ensamblaje del control remoto de mano.

PARA PODER UTILIZAR EL CONTROL REMOTO DE MANO, FAVOR DE SEGUIR CON LA SECCIÓN 10 para armar el control remoto. Si ya se instaló el control de pared pero **no** desea utilizar el control remoto de mano, favor de pasar a la sección 11.

Con cuidado separar la cubierta del control remoto, despegando la parte superior de la inferior. [Referirse al **diagrama 1**.]

Para utilizar el control de pared como control remoto de mano, cortar cada cable en el control de pared (que no se usó anteriormente)—usar cortaalambres para cortar cada cable para que quede tan corto como sea posible. [Referirse al **diagrama 2**.]

Instalar 1 batería de 12 voltios (incluida) en el control de pared. [Referirse al **diagrama 2**.]

ADVERTENCIA: la batería no es recargable. Una batería que no es recargable no deben recargarse. La batería se debe introducir en la polaridad correcta

El interruptor del reductor de luz (etiquetado **ON** y **D**) está programado de antemano en posición "ENCENDIDO" (**ON**). Si no desea tener la capacidad de bajar la luz, favor de mover el interruptor a la posición "APAGADO" (**D**). [Referirse al **diagrama 2**.]

Alinear los agujeros en el control de pared con los postes que se encuentran *adentro* de la parte SUPERIOR de la cubierta del control remoto y apretar fijamente. Colocar el control de pared dentro de la parte INFERIOR de la cubierta del control remoto, alineando los postes en la parte superior de la cubierta del control remoto con los agujeros para los postes en la parte inferior. [Referirse al **diagrama 3**.]

(**NOTA:** asegurarse de alinear los extremos más angostos de la cubierta del control remoto antes de cerrarla.) Apretar la parte superior e inferior de la cubierta del control remoto hasta que se oiga un "clic" en cada extremo, lo cual indicará que se ha cerrado completamente la cubierta del control remoto.

IMPORTANTE: guardar el control remoto de mano lejos del calor excesivo o la humedad. Para prevenir daño al control remoto de mano, sacar la batería si no se va a utilizar el control remoto por un tiempo extendido.

NOTA: Sacar la batería si está descargada o tiene poca carga y desecharla de manera apropiada.

PRECAUCIÓN: "NO ARROJAR LAS BATERÍAS AL FUEGO, PUEDEN EXPLOTAR O CHORREAR" - Antes de desechar baterías alcalinas domésticas, se recomienda consultar a los coordinadores de residuos domésticos peligrosos o de reciclaje locales y estatales para solicitarles información específica sobre el programa vigente en su zona. A su vez, puede localizar un centro de reciclaje llamando al 1-800-8-BATTERY o el 1-877-2-RECYCLE, o visitando la página www.epa.gov/epawaste/index.htm o www.earth911.org para obtener más información.

ADVERTENCIA: Peligro de asfixia - Piezas pequeñas. Mantener las baterías fuera del alcance de los niños.

cubierta del control remoto

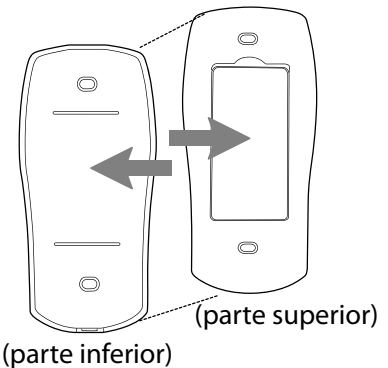


diagrama 1

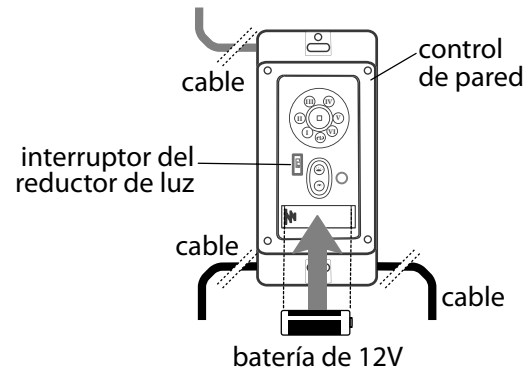


diagrama 2

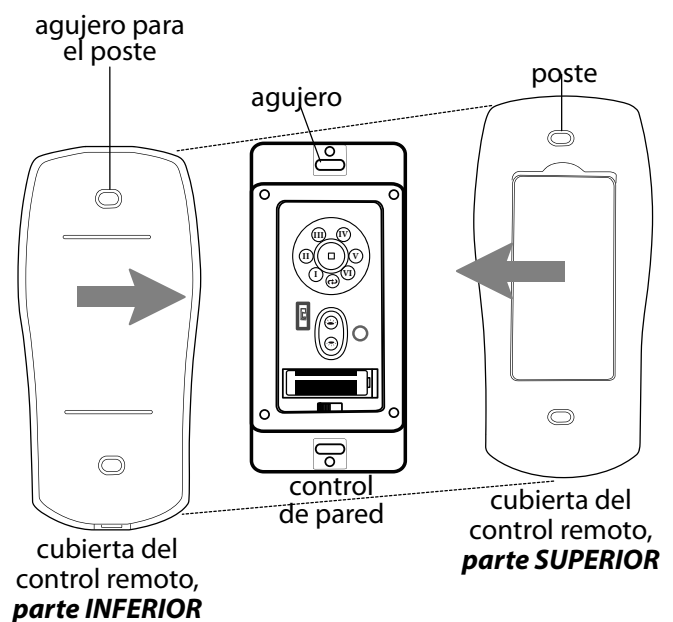


diagrama 3

11. Proceso de aprendizaje automático./El activar el código.

PRECAUCIÓN: se puede programar el control de pared/control remoto de mano para usar con varios receptores o ventiladores. Si no desea hacer esto, apagar el interruptor de cualquier otro receptor o ventilador programable.

Conectar la electricidad y luego, si se instaló el control de pared, poner el interruptor corredero en el control de pared en posición ON (encendido). Dentro de 60 segundos de haber prendido el control de pared, oprimir el botón **SET** en el control de pared por 5 segundos (o hasta que la luz parpadee dos veces o las aspas del ventilador se pongan a girar).

Cortar la corriente de nuevo por 5 segundos como mínimo y luego volver a conectar la electricidad. Dentro de 60 segundos de haber conectado la electricidad, oprimir el botón **SET** en el control remoto de mano por 5 segundos o hasta que la luz parpadee dos veces.

Poner a prueba las funciones de luz y ventilador para confirmar que se haya terminado el proceso de aprendizaje--ver la sección 13.

Escoger una tapa (color almendra o blanco) y apretarla firmemente en la parte delantera del control de pared que se instaló anteriormente en la caja de salida de la pared. [Referirse al **diagrama 1**.]

Fijar la **tapa negra** a la parte delantera del control remoto de mano; apretar la tapa fijamente. [Referirse al **diagrama 2**.]

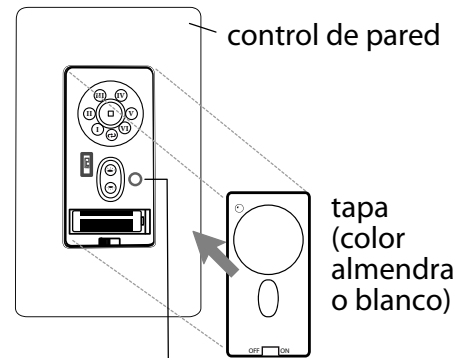


diagrama 1 botón "SET"

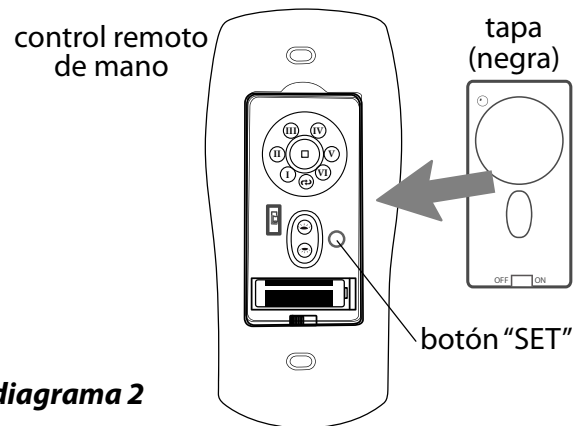
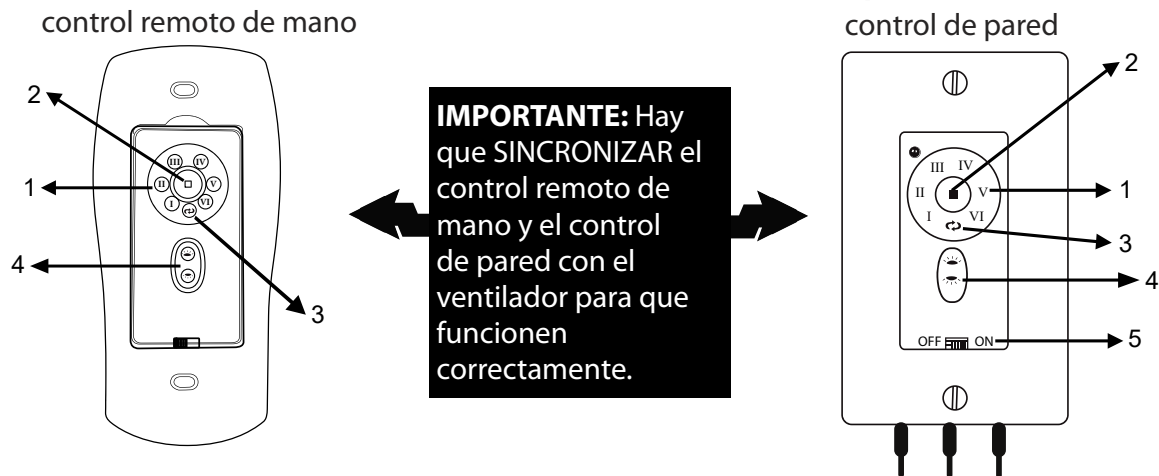


diagrama 2

12. Funcionamiento del control remoto/de pared.






Botones de **VELOCIDAD** del ventilador--1:
 Botón de **APAGADO**--2:
 Botón de **REVERSA**--3:
 Botón de **ILUMINACION**--4:
 Interruptor corredero **ON/OFF**--5:

Usar para controlar la velocidad del ventilador de 1- 6
 Usar para apagar el ventilador
 Usar para controlar la dirección del ventilador
 Usar para controlar la luz superior y/o la luz inferior (si se aplica)
 [control de pared solamente] Usar para PRENDER o APAGAR el control de pared

IMPORTANTE: el Proceso de aprendizaje automático tardará 5 minutos en completarse. Por favor **dejar el ventilador "ENCENDIDO"** durante estos 5 minutos que demora la programación y **NO proceder a usar el control remoto ni a cortar el suministro de fuerza eléctrica** durante este tiempo. El ventilador **entrará en un ciclo de marcha de avance y marcha atrás, pasando por LAS SEIS (6) velocidades, y luego se detendrá automáticamente** después de haberse terminado el proceso de aprendizaje.

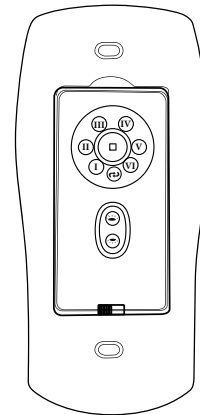
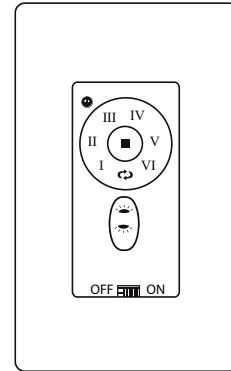
13. Verificación del funcionamiento del ventilador.

Se le recomienda poner el ventilador a prueba antes de terminar la instalación. Regresar la corriente de electricidad en el cortacircuitos y el interruptor de pared (si se aplica). Poner a prueba el control de pared (instalación opcional) localizando el interruptor corredero de APAGADO y ENCENDIDO en el control de pared, luego ponerlo en posición de ENCENDIDO (ON). Poner a prueba la luz y la función del reductor de luz y después las velocidades del ventilador. Luego, localizar el control remoto de mano. Verificar las velocidades del ventilador con los diferentes botones de velocidad (I - VI) en el control remoto de mano. Poner a prueba la función de luz de APAGADO y ENCENDIDO con el botón  ; poner a prueba el funcionamiento del reductor de luz oprimiendo el botón  por hasta 5 segundos. Si el control de pared/control remoto de mano maneja todas las funciones de ventilador, se ha(n) instalado bien la(s) batería(s). Si el control de pared y/o el control remoto de mano no controla(n) todas las funciones del ventilador, favor de referirse a la sección "Localización de fallas" para resolver cualquier asunto antes de comunicarse con el Servicio al cliente.

Hay que poner el ventilador en posición BAJA antes de poner el ventilador en reversa. Usar el botón  para que circule bien el aire dependiendo de las estaciones del año. Un ventilador de techo le permitirá subir el termostato en verano y bajarlo en invierno sin notar una diferencia en su comodidad.

NOTA: si el control de pared/control remoto de mano interfiere con otros aparatos, activar un código nuevo en el control de pared/control remoto de mano **cortando la corriente primero**. Repetir las instrucciones que se refieren al botón "SET" de la sección 11 (página 11).

IMPORTANTE: hay que sincronizar el control remoto de mano y el control de pared con el ventilador para que funcionen correctamente.



Localización de fallas.

ADVERTENCIA: *el no desconectar el suministro de fuerza eléctrica antes de hacer localización de fallas para cualquier problema de instalación eléctrica puede causar lesiones graves.*

Problema: el ventilador no funciona.

Soluciones:

1. Inspeccionar el interruptor de pared del ventilador/control de pared.
2. Verificar la instalación eléctrica del control de pared (uso opcional).
3. Verificar la instalación eléctrica del ventilador.
4. Es posible que no tuvo éxito el proceso de aprendizaje entre el ventilador, el control remoto de mano y, si se aplica, el control de pared y que no se activó el código. Apagar la corriente y repetir las instrucciones de la sección 11 (página 11) que tienen que ver con el botón SET.
5. Averiguar que la luz roja se prende en el control remoto de mano cuando se oprima un botón, lo cual significa que sirve la batería.

Problema: el juego de luz no se ilumina.

Soluciones:

1. Inspeccionar el interruptor de pared del ventilador/control de pared.
2. Verificar que se hizo correctamente la conexión de cables en la cubierta decorativa.
3. Verificar que se conectaron bien los enchufes macho y hembra en el juego de luz LED.
4. Es posible que no tuvo éxito el proceso de aprendizaje entre el ventilador, el control remoto de mano y, si se aplica, el control de pared y que no se activó el código. Apagar la corriente y repetir las instrucciones de la sección 11 (página 11) que tienen que ver con el botón SET.

Problema: el ventilador funciona pero la luz no.

Soluciones:

1. Verificar que se hizo correctamente la conexión de cables en la cubierta decorativa.
2. Verificar que se conectaron bien los enchufes macho y hembra en el juego de luz LED.

Problema: no funcionan el ventilador ni la luz con el control remoto de mano y/o el control de pared.

Soluciones:

1. Averiguar la carga de la batería en el control remoto de mano y/o el control de pared.
2. Es posible que no tuvo éxito el proceso de aprendizaje entre el ventilador, el control remoto de mano y, si se aplica, el control de pared y que no se activó el código. Apagar la corriente y repetir las instrucciones de la sección 11 (página 10) que tienen que ver con el botón SET.
3. Si está usando el control de pared opcional, verificar si aún sirve la batería en el control de pared.

Problema: el ventilador se tambalea.

Soluciones:

1. Averiguar que se apretó (apretaron) bien el (los) tornillo(s) de fijación en el cuello del bastidor del motor.

Garantía.

GARANTIA LIMITADA DE POR VIDA DE CRAFTMADE™: CRAFTMADE garantiza este ventilador al comprador original de grupo familiar para uso interior con las siguientes condiciones:

GARANTIA DE 1 AÑO: CRAFTMADE reemplazará o reparará cualquier ventilador que tenga funcionamiento deficiente debido a defectos en los materiales o trabajo manual. Comunicarse con el Servicio al cliente de CRAFTMADE al **1-800-486-4892** para acordar el reenvío del ventilador. Devolver el ventilador, con los gastos de envío prepagados, a Craftmade. Nosotros repararemos o reemplazaremos el ventilador y pagaremos los gastos de envío de regreso.

GARANTIA DE 5 AÑOS: CRAFTMADE reemplazará o reparará sin costo al comprador original, cualquier motor de ventilador que no funcione de manera satisfactoria a causa de uso normal.

DEVOLVER EL MOTOR SOLAMENTE, los gastos de envío prepagados, a Craftmade. Nosotros repararemos el motor al comprador o le enviaremos uno de reemplazo y Craftmade pagará los gastos de envío de regreso.

GARANTIA LIMITADA DE 6 AÑOS hasta DE POR VIDA: CRAFTMADE reparará el ventilador, sin costo al comprador original por el coste laboral, si el motor del ventilador no funciona satisfactoriamente a causa del uso normal. Las piezas que se utilizan en hacer la reparación serán facturadas al comprador a los precios prevalentes en el momento de la reparación.

El comprador original será responsable de todos los gastos incurridos en sacar, reinstalar y enviar el producto para reparación.

Esta garantía no se aplica cuando el ventilador tenga daños por abuso mecánico, físico, eléctrico o por agua resultando en su mal funcionamiento. Se exenta específicamente el deterioro en el acabado u otras partes debido al tiempo o exposición al aire marino bajo esta garantía.

Ni Craftmade ni el fabricante se harán responsables por lo que pasa por una instalación inadecuada o el uso impropio de este producto. La compañía no se hará responsable en ningún caso de ningún daño emergente por incumplimiento de esta o cualquier otra garantía expresada o implicada en absoluto. Esta limitación de daños emergentes no se aplicará en estados donde es prohibido.

Piezas de repuesto.

Para piezas o información, referirse al "Inventario de piezas" en la página 3.

Servicio al cliente de Craftmade:

1-800-486-4892

www.craftmade.com

CRAFTMADE™