

Augusta Installation Guide

For Model: **AUG60-LED**

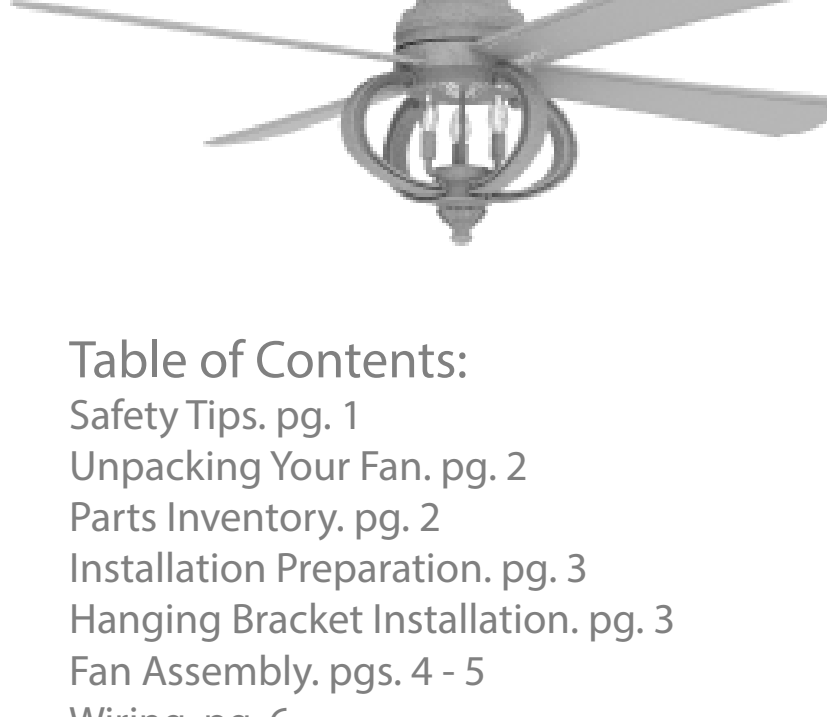
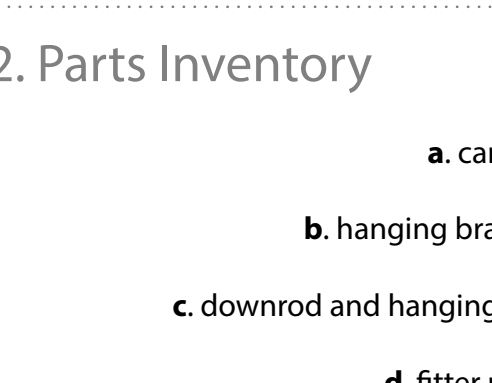


Table of Contents:

- Safety Tips, pg. 1
- Unpacking Your Fan, pg. 2
- Parts Inventory, pg. 2
- Installation Preparation, pg. 3
- Hanging Bracket Installation, pg. 3
- Fan Assembly, pgs. 4 - 5
- Wiring, pg. 6
- Canopy Assembly, pg. 7
- Blade Assembly, pg. 7
- Light Kit Assembly, pg. 8
- Handheld Remote Control Assembly, pg. 9
- Automated Learning Process / Activating Code, pg. 10
- Remote/Wall Control Operation, pg. 11
- Testing Your Fan, pg. 11
- Troubleshooting, pg. 12
- Warranty, pg. 12
- Parts Replacement, pg. 12

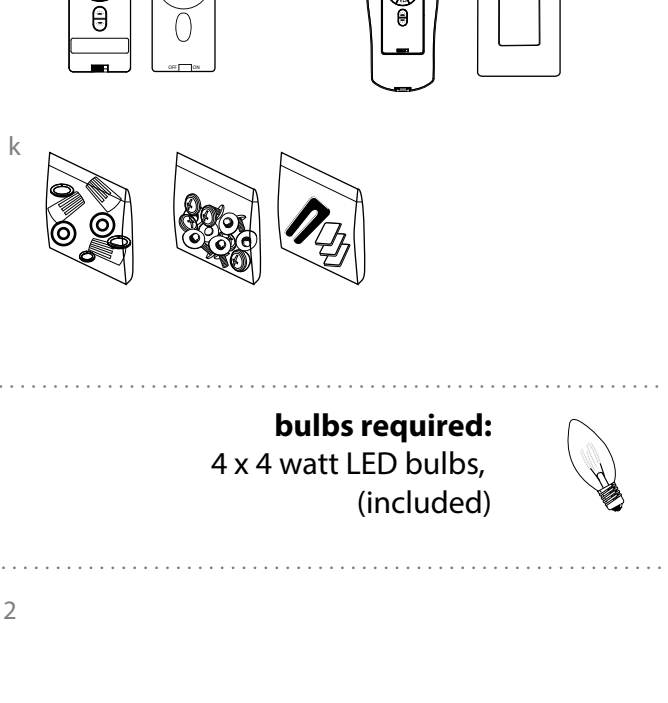
WARNING: DC Motor will not operate until blades are installed



PRINTED IN CHINA

1. Unpacking Your Fan

Carefully open the packaging. Remove items from Styrofoam inserts. Remove motor housing and place on carpet or Styrofoam to avoid damage to finish. Do not discard fan carton or Styrofoam inserts should this fan need to be returned for repairs. Check against parts inventory that all parts have been included.



2. Parts Inventory

a. canopy, 1 piece

b. hanging bracket, 1 piece

c. downrod and hanging ball, 1 piece

d. fitter plate, 1 piece

e. motor housing, 2 piece

f. yoke cover, 1 piece

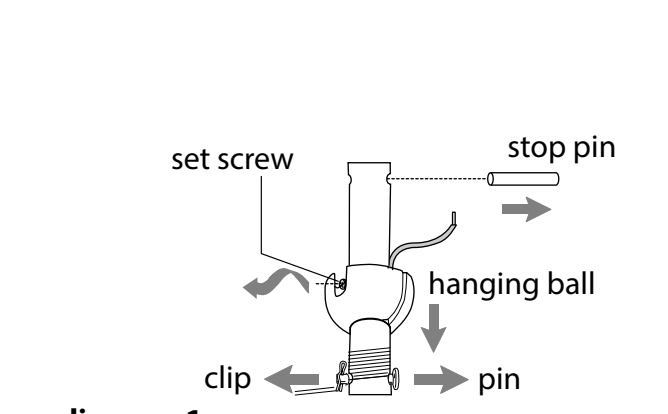
g. blade, 4 pieces

h. canopy cover (in hardware pack), 1 piece

i. wall control, 2 pieces

j. remote control, 2 pieces

k. hardware packs



bulbs required:
4 x 4 watt LED bulbs (included)

IMPORTANT REMINDER: You must use the parts provided with this fan for proper installation and safety.

page 2

5. Fan Assembly

Remove hanging ball from downrod provided by loosening set screw on hanging ball. Remove pin and clip. Lower hanging ball and remove stop pin. Then slide hanging ball off downrod. [Refer to diagram 1]

Remove vice from safety cable by loosening the screw and nut on the vice. Loosen yoke set screws and nuts at top of motor housing. [Refer to diagram 2]

Tip: To prepare for threading electrical wires through downrod, apply a small piece of electrical tape to the ends of the electrical wires—this will keep the wires together when threading them through the downrod. [Refer to diagram 2]

Determine the length of downrod you need to use. Thread safety cable and electrical wires through threaded end of downrod and extra wire slack from the upper end of the downrod. [Refer to diagram 2]

Thread downrod into the motor housing yoke until holes for pin and clip in downrod align with holes in yoke—make sure wires do not get twisted. Re-insert pin and clip previously removed. Tighten yoke set screws and nuts securely. [Refer to diagram 2]

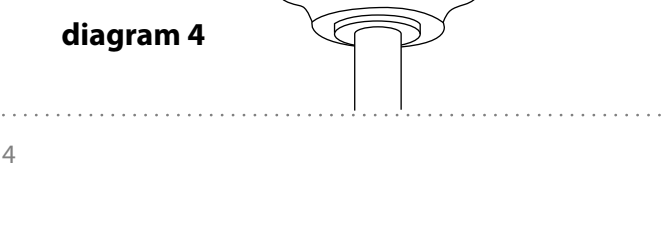
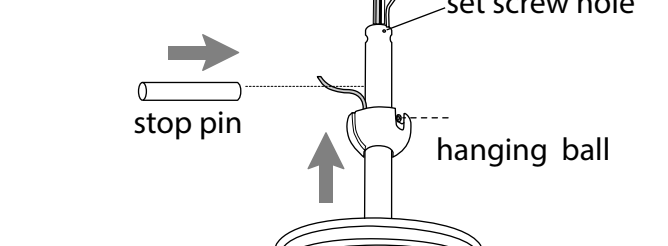
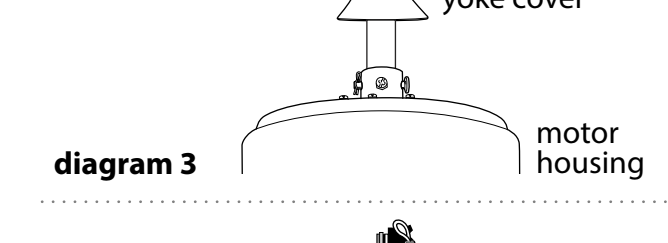
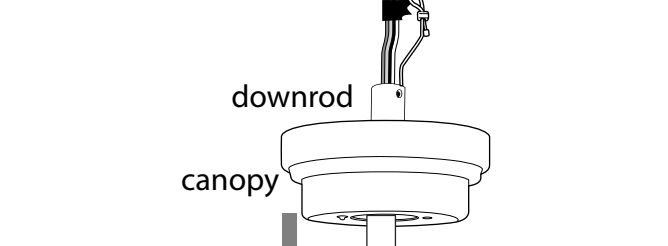
Slide yoke cover and canopy over downrod. [Refer to diagram 3]

Thread safety cable and wires through hanging ball and then slide hanging ball over downrod—the top of the downrod should be noted as having a set screw hole; use this hole when setting the set screw. Insert stop pin into top of downrod and raise hanging ball. Be sure stop pin aligns with slots on the inside of the hanging ball. Tighten set screw securely. [Refer to diagram 4]

WARNING: Failure to tighten set screw (on hanging ball) completely could result in the fan becoming loose and possibly falling.

[*Fan Assembly* continued on next page.]

NOTE: The important safety precautions and instructions appearing in the manual are not meant to cover all possible conditions and situations that may exist at the time of installation. Common sense and caution are necessary factors in the installation and operation of this fan.



page 4

6. Wiring

WARNING: Turn off circuit breakers to current fixture from breaker panel and be sure switch is turned to the OFF position.

CAUTION: Be sure outlet box is properly grounded or ground wire (GREEN or Bare) is present.

Make sure all electrical connections comply with Local Codes or Ordinances and the National Electrical Code. If you are unfamiliar with electrical wiring or if the house/building wires are different colors than those referred to below, please use a qualified electrician.

Note: Excess lead wire length from the fan can be cut to the desired length and then stripped.

When fan is secured in place on the hanging bracket, electrical wiring can be made as follows: Connect **BLACK** wire from fan to **BLACK** wire from ceiling with wire connector provided. Connect **WHITE** wire from fan to **WHITE** wire from ceiling with wire connector provided.

Connect **GROUND (GREEN or Bare)** wire from fan to **BARE/GREEN** wire from ceiling with wire connector provided. Wrap each wire connector separately with electrical tape as an extra safety measure.

[PLEASE NOTE: Wall and/or handheld remote control can be programmed to multiple receivers or fans. If this is not desired, turn wall switch off to any other programmable receiver or fan.

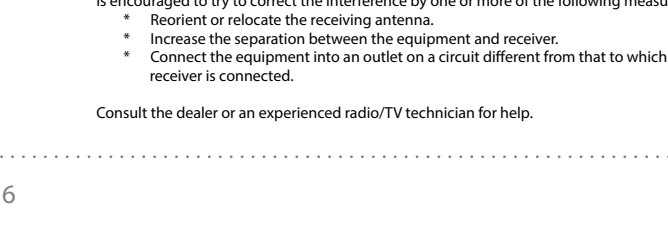
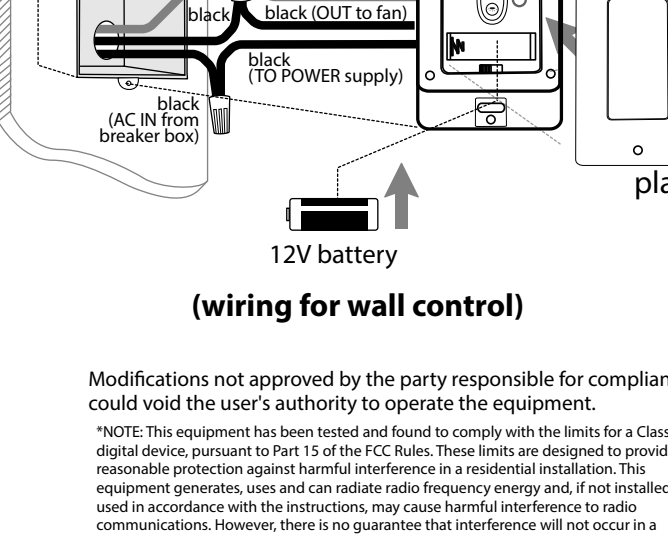
Restore electrical power and then, if using wall control, set slider switch on wall control to the ON position. Press 60 seconds of turning on the wall control. Press and hold the fan SET button on the wall control for 5 seconds or until light blinks twice.

Turn power off again for at least 5 seconds and then turn power back on. With 60 seconds of restoring the power, press and hold the fan SET button on the handheld remote control for 5 seconds or until light blinks twice.

Test the lighting and fan functions to confirm the learning process is complete.

Select a faceplate (almond or white) and press firmly onto front of wall control that was previously installed to the outlet box on the wall. [Refer to diagram 1.]

Attach black faceplate to front of handheld remote control; press down firmly. [Refer to diagram 2]



(wiring for wall control)

Modifications not approved by the party responsible for compliance could void the user's warranty on the equipment.

NOTE: This equipment has been tested and found to comply with the limits for a Class B digital device. This equipment may cause interference with other radio communications. However, there is no guarantee that interference will not occur in a particular installation. If interference is experienced, the user may be able to correct the problem by reorienting the antenna or by increasing the separation between the equipment and the receiver.

CAUTION: Do not attempt to repair or disassemble this unit. Contact the manufacturer for repair or replacement.

Contact the dealer or an approved radio-TV technician for help.

page 6

9. Light Kit Assembly.

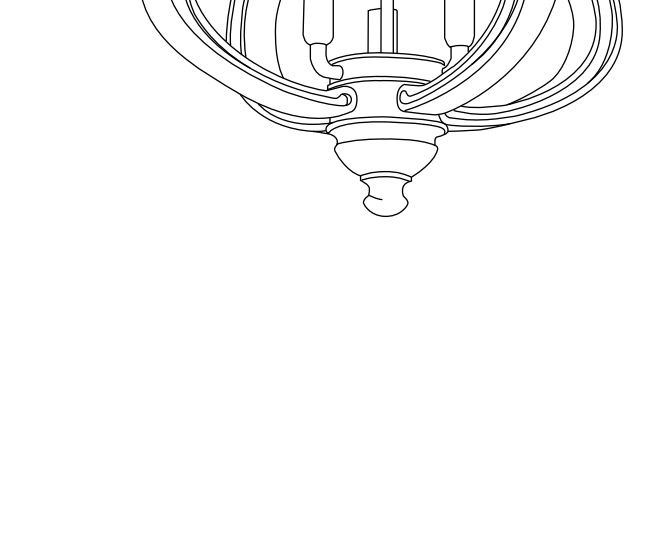
Remove 1 screw from motor plate and partially loosen the other 2 screws.

Connect **WHITE** wire from motor housing to **WHITE** wire from light kit fitter. Connect **BLACK** wire from motor housing to **BLACK** wire from light kit fitter. Be sure motor connections snap together securely.

Align slotted holes in motor plate. Twist light kit fitter to lock. Re-insert screw that was previously removed and securely tighten all 3 screws with Phillips screwdriver. **[Note:** It may be necessary to use a short head screwdriver or an offset screwdriver to securely tighten these screws.]

Remove 2 screws from small posts located on underside of cover to holes in light kit fitter. Raise decorative cover to posts and align holes in decorative cover with the 2 screws that were just removed.

Install four 4 watt LED bulbs (included). **Important:** When replacing bulbs, please allow bulb(s) and light kit fitter to cool down before touching them.



page 8

11. Automated Learning Process/Activating Code

CAUTION: The wall and/or handheld remote control can be programmed to multiple receivers or fans. If this is not desired, turn wall switch off to any other programmable receiver or fan.

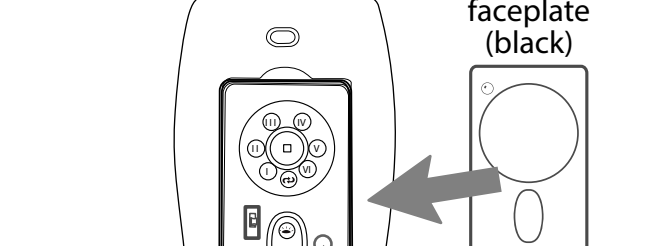
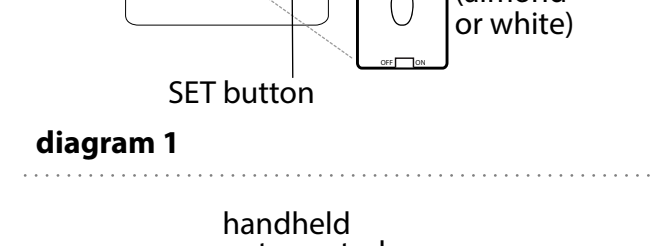
Restore electrical power and then, if using wall control, set slider switch on wall control to the ON position. Press 60 seconds of turning on the wall control. Press and hold the fan SET button on the wall control for 5 seconds or until light blinks twice.

Turn power off again for at least 5 seconds and then turn power back on. With 60 seconds of restoring the power, press and hold the fan SET button on the handheld remote control for 5 seconds or until light blinks twice.

Test the lighting and fan functions to confirm the learning process is complete.

Select a faceplate (almond or white) and press firmly onto front of wall control that was previously installed to the outlet box on the wall. [Refer to diagram 1.]

Attach black faceplate to front of handheld remote control; press down firmly. [Refer to diagram 2]



page 10

Troubleshooting

WARNING: Failure to disconnect power supply prior to troubleshooting any wiring issues may result in serious injury.

Problem: Fan fails to operate. **Solutions:** 1. Check power to wall switch/wall control. 2. Verify that wall control (optional use) is wired properly. 3. Check to be sure fan is wired properly. 4. Learning process between fan, handheld remote control and, if applicable, wall control may not have been successful and code was not activated. Turn off power and repeat instructions for SET button in Section 11 (page 10). 5. Check that red light on handheld remote control turns on when a button is pressed indicating that the battery is good.

Problem: Light kit not lighting. **Solutions:** 1. Check bulb is installed correctly. 2. Check wall switch to fan/wall control. 3. Check to be sure wires in canopy are wired properly. 4. Learning process between fan, handheld remote control and, if applicable, wall control may not have been successful and code was not activated. Turn off power and repeat instructions for SET button in Section 11 (page 10). 5. If using optional wall control, check that push wires in wall control is still good.

Problem: Fan wobbles. **Solutions:** 1. Use the balancing kit provided in one of the hardware packs. If no blade balancing kit is provided, please call Customer Support, 1-800-486-4892, to request one. 2. Check to be sure set screws on motor housing yoke is (are) tightened securely. 3. Check to be sure set screw on hanging ball is tightened securely.

Warranty

CRAFTMADE LIFETIME LIMITED WARRANTY: CRAFTMADE warrants this fan to the original household purchaser for indoor use under the following provisions: 1-YEAR WARRANTY: CRAFTMADE will replace or repair any fan which has faulty performance due to a defect in material or workmanship. Contact Craftmade Customer Service at 1-800-486-4892 to arrange for return of fan. Return fan, shipping prepaid, to Craftmade. We will repair or ship you a replacement fan, and we will pay the return shipping cost. 5-YEAR WARRANTY: CRAFTMADE will repair or replace, at no charge to the original purchaser, any fan motor that fails to operate satisfactorily when failure results from normal use. RETURN FAN MOTOR ONLY, shipping prepaid, to Craftmade Industries. We will repair or ship purchaser a replacement motor and Craftmade will pay the repair or replacement cost. 6-YEAR TO LIFETIME LIMITED WARRANTY: CRAFTMADE will repair the fan, at no charge for labor only to the original purchaser, if the fan motor fails to operate satisfactorily when failure results from normal use. Parts used in the repair will be billed to the purchaser at prevailing prices at time of repair.

This warranty does not apply when damage from mechanical, physical, electrical or water abuse results in causing the malfunction. Determination of finishes or other parts due to time or exposure to salt air is specifically exempted under this warranty. Neither Craftmade nor the manufacturer will assume any liability resulting from improper installation or use of this product. In no case shall the company be liable for any consequential damages for breach of this, or any other warranty expressed or implied whatsoever. This limitation as to consequential damages shall not apply in states where prohibited.

Parts Replacement

For parts and information, please refer to "Parts Inventory" on page 2. **Craftmade Customer Support: 1-800-486-4892 www.craftmade.com**

page 12

SAFETY TIPS.

WARNING: To reduce the risk of electrical shock, turn off the electricity to the fan at the main fuse box or circuit panel before you begin the fan installation or before servicing the fan accessories.

1. READ ALL INSTRUCTIONS AND SAFETY INFORMATION CAREFULLY BEFORE INSTALLING YOUR FAN AND THESE INSTRUCTIONS.

CAUTION: To avoid personal injury, the use of gloves may be necessary while handling fan parts with sharp edges.

- Make sure all electrical connections comply with Local Codes or Ordinances, the National Electrical Code, and ANSI/NFPA 70-1999. If you are unfamiliar with electrical wiring or if the house/building wires are different colors than those referred to in the instructions, please use a qualified electrician.
- Make sure you have a location selected for your fan that allows clear space for the blades to rotate, and at least seven (7) feet (2.13 meters) between the floor and the fan blade tips. The fan should be mounted so that the tips of the blades are at least thirty (30) inches (76 centimeters) from walls or other upright structures.
- The outlet box and ceiling support post used must be securely mounted and capable of supporting at least 35 pounds (16 kilograms). The outlet box must be supported directly by the building structure. Use only CETL or CUL in Canada or ETL or UL in USA listed outlet boxes marked "FOR FAN SUPPORT".

WARNING: To reduce the risk of fire, electrical shock, or personal injury, mount to the outlet box marked "Acceptable for Fan Support of 15.9 kg (35 lb) or less," and use the mounting screws provided with the outlet box. Most outlet boxes commonly used for the support of lighting fixtures are not acceptable for fan support and may need to be replaced. Consult a qualified electrician if in doubt.

WARNING: To reduce the risk of fire, electrical shock, or personal injury, wire connectors provided with this fan are designed to accept only one 12 gauge house wire and two lead wires from the fan. If your house wire is larger than 12 gauge or there is more than one house wire to connect to the corresponding fan lead wires, consult an electrician for the proper size wire connectors to use.

- Electrical diagrams are for reference only. Light kits that are not packed with the fan must be CETL or CUL in Canada or ETL or UL in USA listed and marked suitable for use with the model fan you are installing. Switches must be CETL or CUL in Canada or ETL or UL in USA general use switches. Refer to the instructions packaged with the light kits and switches for proper assembly.
- After installation is complete, check that all connections are absolutely secure.
- After making electrical connections, spliced conductors should be turned upward and pushed carefully up into the outlet box. The wires should be spread apart with the grounded conductor and the equipment grounding conductor on opposite sides of the outlet box.

WARNING: To reduce the risk of fire or electrical shock, do not use this fan with any solid state speed control device or control fan speed with a full range dimmer switch. (Using a full range dimmer switch to control fan speed will cause a loud humming noise from fan.)

8. Do not operate the reverse switch until fan has come to a complete stop.

WARNING: To avoid the risk of personal injury, do not bend the blade arms during assembly or after installation. Do not insert objects into the path of the blade.

WARNING: To avoid personal injury or damage to the fan and other items, be cautious when working around or cleaning the fan.

WARNING: To reduce the risk of personal injury, use only parts provided with this fan. The use of parts OTHER than those provided with this fan will void the warranty.

WARNING: This fan MUST be installed with the safety cable provided with the fan. Failure to use the safety cable provided may result in personal injury, damage to the fan or damage to other property.

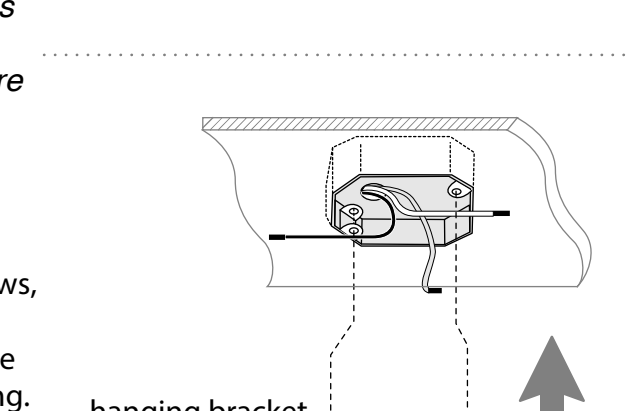
NOTE: The important safety precautions and instructions appearing in the manual are not meant to cover all possible conditions and situations that may exist at the time of installation. Common sense and caution are necessary factors in the installation and operation of this fan.

3 Installation Preparation

To prevent personal injury and damage, ensure that the hanging location allows the blades a clearance of 7 feet (2.13m) from the floor and 30in. (76cm) from any wall or obstruction. This fan is suitable for room sizes up to 400 square feet (37.2 square meters).

This fan can be mounted with a downrod on a regular (no-slope) or vaulted ceiling. The hanging length can be extended by purchasing a longer downrod (0.5in./1.27cm diameter). Other installation, such as flushmount, is not available for this fan.

Installation requires these tools: Phillips screwdriver, flathead screwdriver, short head screwdriver, offset screwdriver, adjustable pliers or wrench, stapler, wire cutters, and rated electrical tape



4. Hanging Bracket Installation

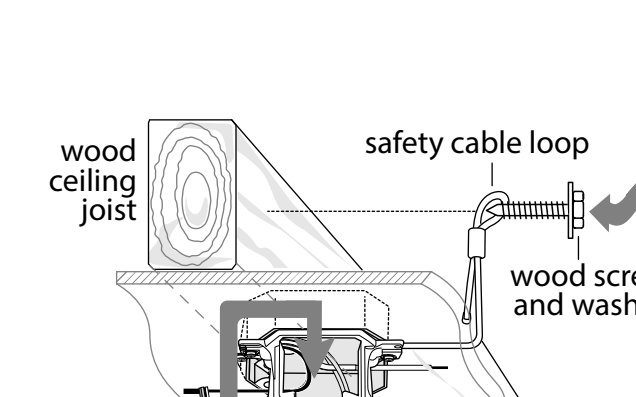
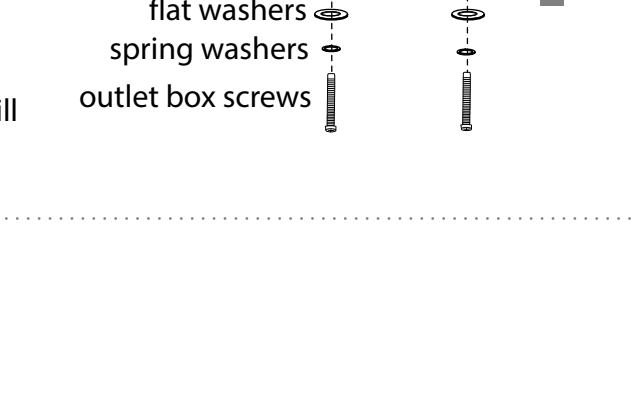
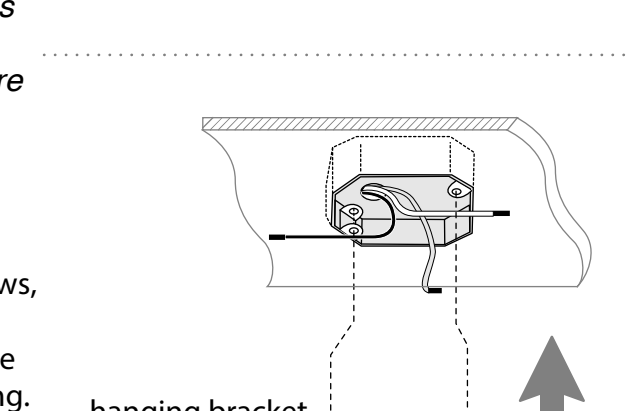
Turn off circuit breakers to current fixture from breaker panel and be sure operating light switch is turned to the OFF position. **WARNING:** Failure to disconnect power supply prior to installation may result in serious injury.

Remove existing fixture. **WARNING:** When using an existing outlet box, be sure the box is securely attached to the building structure and can support the full weight of the fan. Ensure it is clearly marked "Suitable for Fan Support." If not, it must be replaced with an approved outlet box. Failure to do so can result in serious injury.

CAUTION: Be sure outlet box is grounded and that a ground wire (GREEN or bare) is present.

Install hanging bracket to outlet box using original screws, spring washers and flat washers provided with new or original outlet box.* If installing on a vaulted ceiling, face opening of hanging bracket towards high point of ceiling. Arrange electrical wiring around the back of the hanging bracket and away from the bracket opening.

*Note: It is very important that you use the proper hardware when installing the hanging bracket as this will support the fan.



page 3

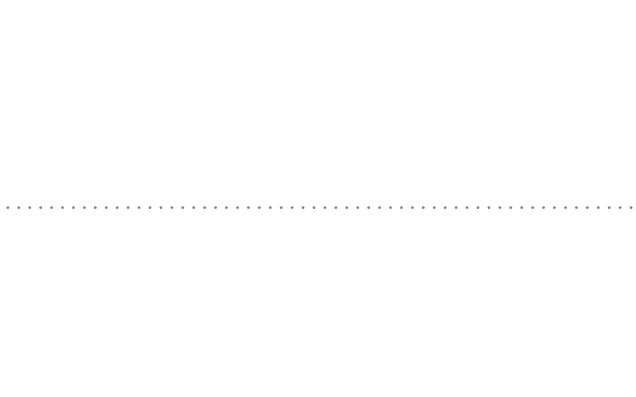
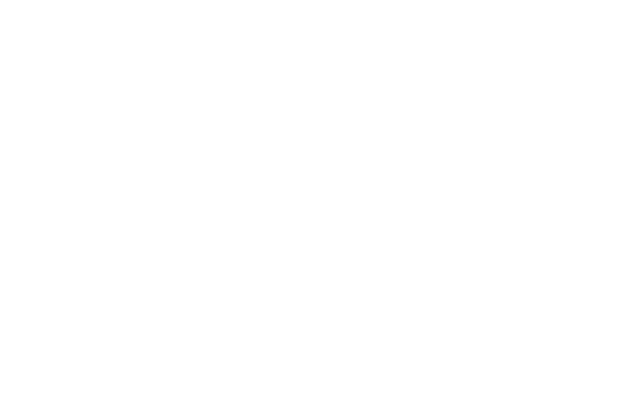
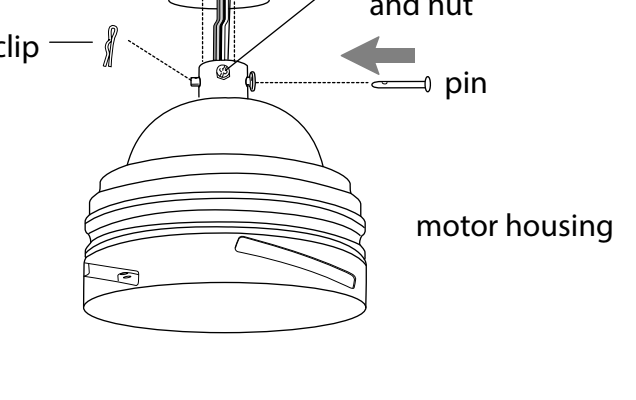
5. Fan Assembly (cont.)

With the hanging bracket secured to the outlet box and able to support the fan, you are now ready to hang your fan. Grab the fan firmly with two hands. Slide downrod through opening in hanging bracket and let hanging ball rest on the hanging bracket. Turn the hanging ball slot until it lines up with the hanging bracket tab.

WARNING: Failure to align slot in hanging ball with tab in hanging bracket may result in serious injury or death.

TIP: Seek the help of another person to hold the stapler in place and to help lift the fan up to you once you are set on the ladder.

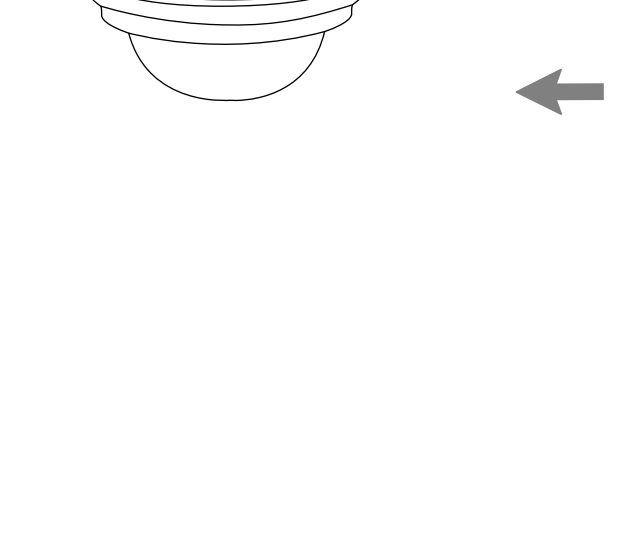
Find a secure attachment point (wood ceiling joist highly recommended) and secure safety cable. It will be necessary to use a heavy duty wood screw, washer and lock washer (not supplied) with the safety cable loop. If necessary, adjust the loop at the end of the safety cable. The loop at the end of the safety cable should just fit over the threads on the wood screw. Extra cable slack can be left in ceiling area.



page 5

7. Canopy Assembly

Locate 2 screws on underside of hanging bracket and remove screw closest to the open end of the hanging bracket. Partially loosen the other screw. Lift canopy to hanging bracket. Place rounded part of slotted hole in canopy over loosened screw in hanging bracket and push up. Twist canopy to lock. Re-insert screw that was removed, and then tighten both screws securely. Slide canopy cover up to canopy, aligning rounded part of slotted holes in canopy cover with screw heads in bottom of canopy. Turn cover to the right (clockwise) until it stops.

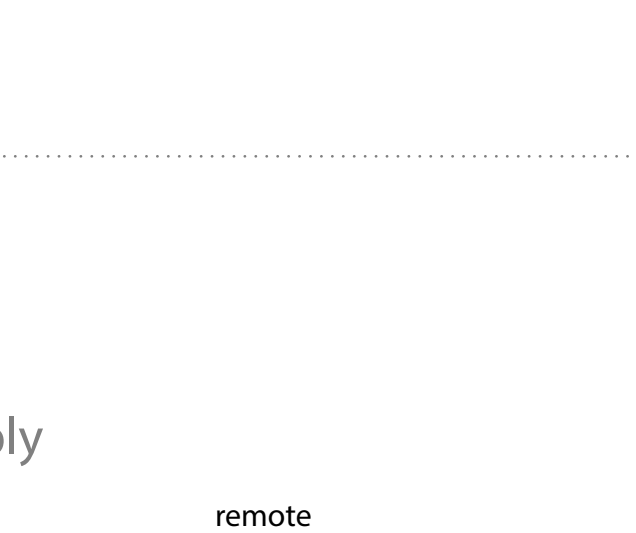


8. Blade Assembly

Time Saver: Washers for blade screws can be set on each blade screw prior to installing blades.

Locate 15 blade attachment screws and washers in hardware pack. Slide blade through one of the narrow, rectangular openings on motor housing, aligning holes in blade with holes in blade arm (located on the top side of the motor housing)—refer to drawing at right. Insert 3 blade attachment screws (along with washers) and tighten screws securely with a Phillips screwdriver. Repeat procedure for each remaining blade.

Note: Tighten blade arm screws twice a year.



10. Handheld Remote Control Assembly

IN ORDER TO USE THE HANDHELD REMOTE CONTROL, PLEASE CONTINUE WITH SECTION 11 for remote control assembly instructions. If you have already installed the wall control but do not wish to use the handheld remote control, please proceed to Section 10.

Gently pull on remote control cover to separate top and bottom parts. [Refer to diagram 1]

In order to use wall control as a handheld remote control, cut each wire on wall control (that was not previously used)—use wire cutters to cut off each wire as close to the wall control as possible. [Refer to diagram 2]

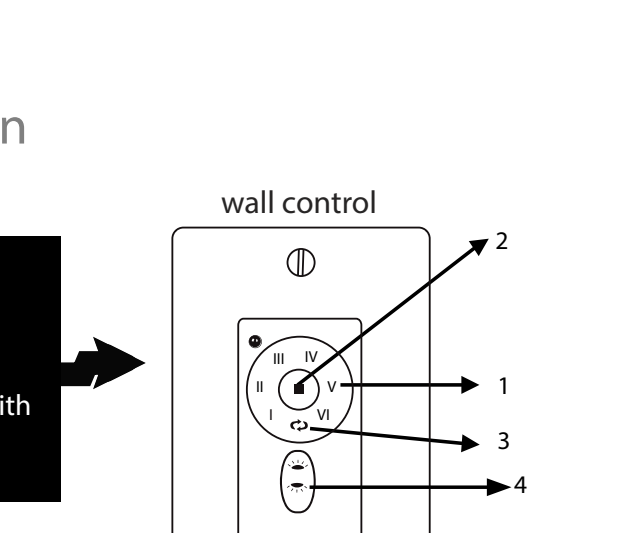
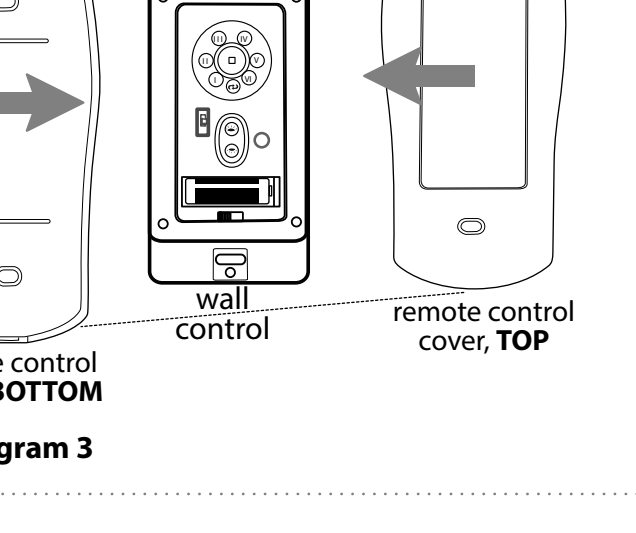
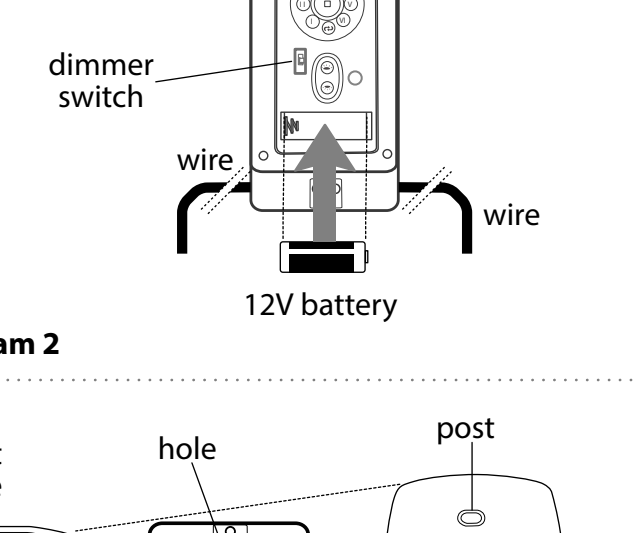
Install one 12-volt battery (included) in wall control. [Refer to diagram 2]

The dimmer switch (labeled ON and D) has been pre-set to the "ON" position (ON). If you do not wish to have dimming capability, please move the switch to the "OFF" position (D).

Align holes in wall control with posts located on inside of TOP part of remote control cover and press together firmly. Place wall control into BOTTOM part of remote control cover, aligning posts in top of remote control cover with post holes in the bottom. [Refer to diagram 3.]

NOTE: Make sure to align narrow end of remote control cover before closing.) Squeeze top and bottom of remote control cover together until you hear a click at each end, indicating that the remote control cover has closed completely.

IMPORTANT: Store the handheld remote control away from excess heat or humidity. To prevent damage to handheld remote control, remove the battery if remote control will not be used for long periods.



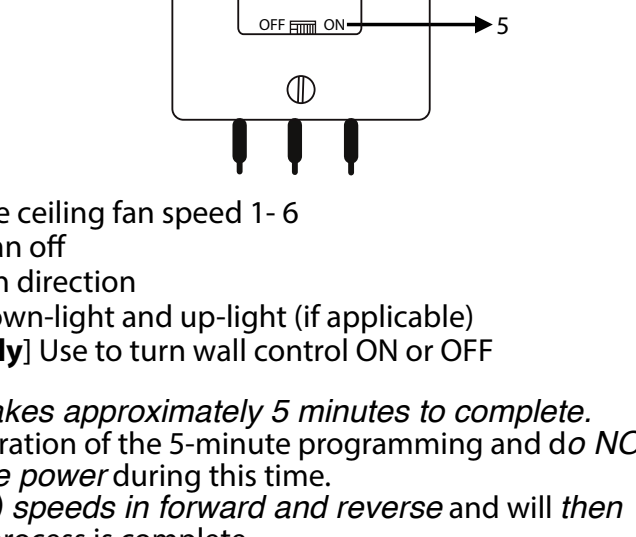
page 9

12. Remote/Wall Control Operation

IMPORTANT: Handheld remote control and wall control must be SYNCHRONIZED with fan in order to properly function.

Fan OFF control—1: Use to turn the ceiling fan speed 1-6
Fan SPEED button—2: Use to control fan direction
REVERSE function button—3: Use to control fan light and up-light (if applicable)
LIGHTING button—4: Use to turn wall control ON or OFF
ON/OFF slider switch—5:

IMPORTANT: The Automated Learning Process takes approximately 5 minutes to complete, and the fan will cycle through ALL SIX (6) speeds in forward and reverse and will then stop automatically after the learning process is complete.



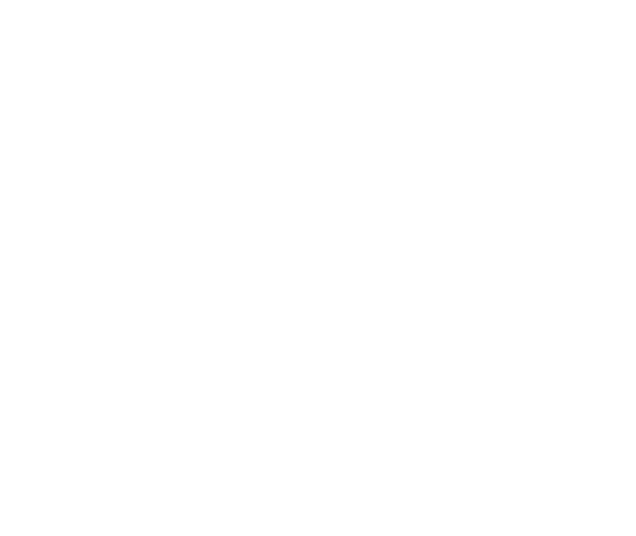
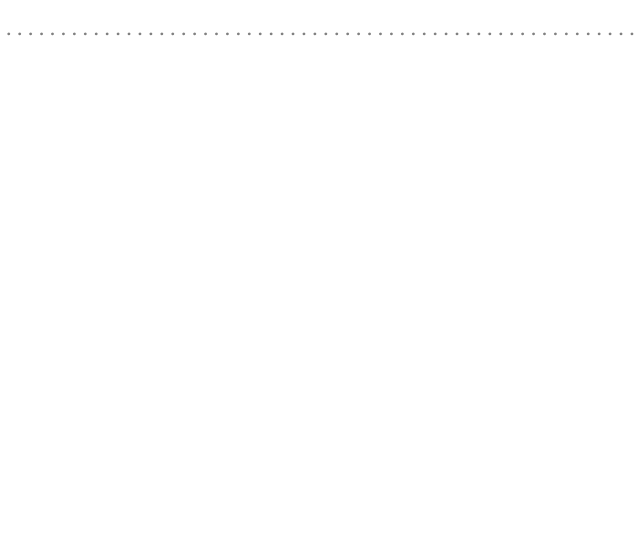
13. Testing Your Fan

It is recommended that you test fan before finalizing installation. Restore power from circuit box and light switch (if applicable). Test wall control (optional installation) by locating ON/OFF slider switch on wall control, then set to the ON position. Test light and dimmer function and then test fan speeds. Next, locate handheld remote control. Test fan speeds with the different fan speed buttons (1-6) on handheld remote control. Test the light ON/OFF function (by pressing the button; test the dimmer function by pressing the button and holding it down for 1 second. If the remote control operates all of the functions of the fan, battery has been installed correctly. If the wall and/or remote controls do (does) not operate all of the fan functions, refer to "Troubleshooting" section to solve any issues before contacting Customer Service.

Fan must be on LOW before setting the fan in reverse. Use button to recirculate air depending on the season. A ceiling fan will allow you to raise your thermostat setting in summer and lower your thermostat setting in winter without feeling a difference in your comfort.

NOTE: If the wall control/handheld remote control interferes with other appliances, activate the fan on the wall control/handheld remote control by turning the power off first. Go back to the instructions for the SET button in Section 11 (page 10).

IMPORTANT: Handheld remote control and wall control must be synchronized with fan in order to properly function.



page 11