

Model 14 Berkeley Advantage 3.2 Series

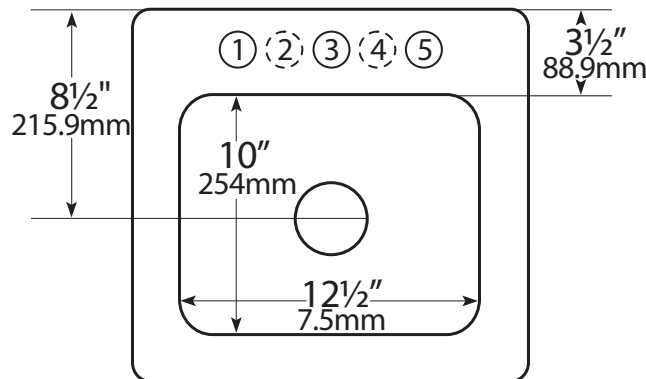


- Social/Prep Sink
- Self-Rim
- 1, 2, & 3 Hole
- 4" or 8" Centers

16½" x 15½" x 7"

419.1mm x 393.7mm x 177.8mm

Cutout dimensions: 14½" x 13½"
with 1" radius corners.



Drains not included.



Certified by: National Association of Homebuilders
(NAHB) Research Center and CSA International

Meets or Exceeds:

CSA B45.0-02 ANSI Z 124.3 - 1995
CSA B45.5-02 ANSI Z 124.6 - 1997

All designs and specifications
subject to change without notice
All dimensions are ± 1/4" (6.35 mm)

United States Patents US437,035, US441,853, US442,679, US453,554, US457,944 and other Patents Pending may apply.

900051 © 2009 CorStone, Inc.