

Model 28 Cumberland

Advantage 3.2 Series

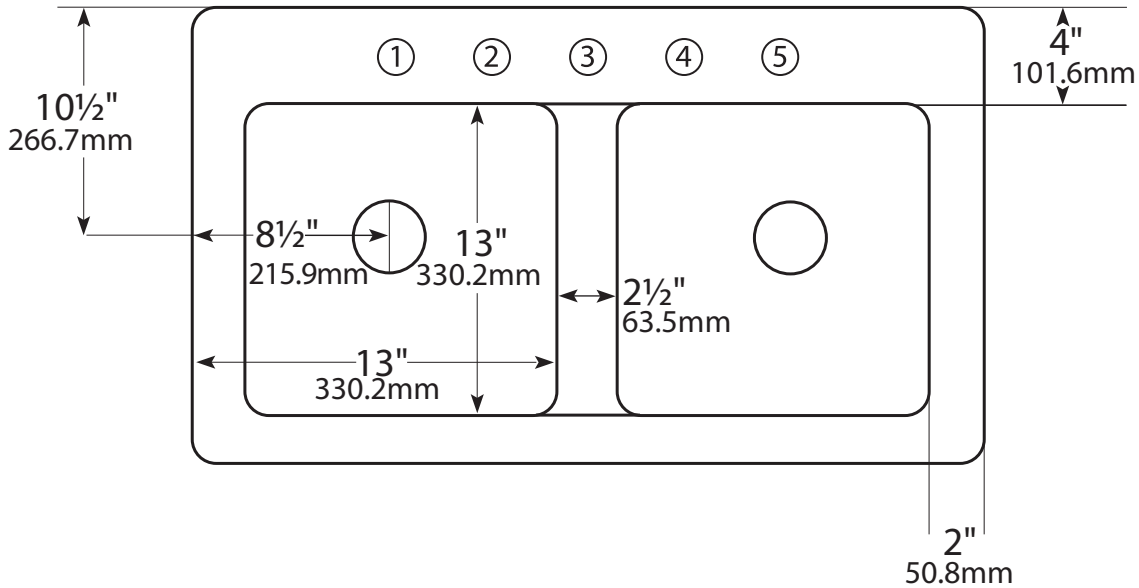


- Double Bowl Kitchen
- Self-Rim
- 1, 2, 3, 4, & 5 Hole
- 50/50 for Manufactured Homes

33" x 19" x 8½"

838.2mm x 482.6mm x 215.9mm

Cutout dimensions: 31" x 17" with 1" radius corners.



Drains not included.



Certified by: National Association of Homebuilders
 (NAHB) Research Center and CSA International

Meets or Exceeds:

CSA B45.0-02 ANSI Z 124.3 - 1995
 CSA B45.5-02 ANSI Z 124.6 - 1997

All designs and specifications
 subject to change without notice
 All dimensions are ± 1/4" (6.35 mm)

United States Patents US437,035, US441,853, US442,679, US453,554, US457,944 and other Patents Pending may apply.

900051 © 2009 CorStone, Inc.