

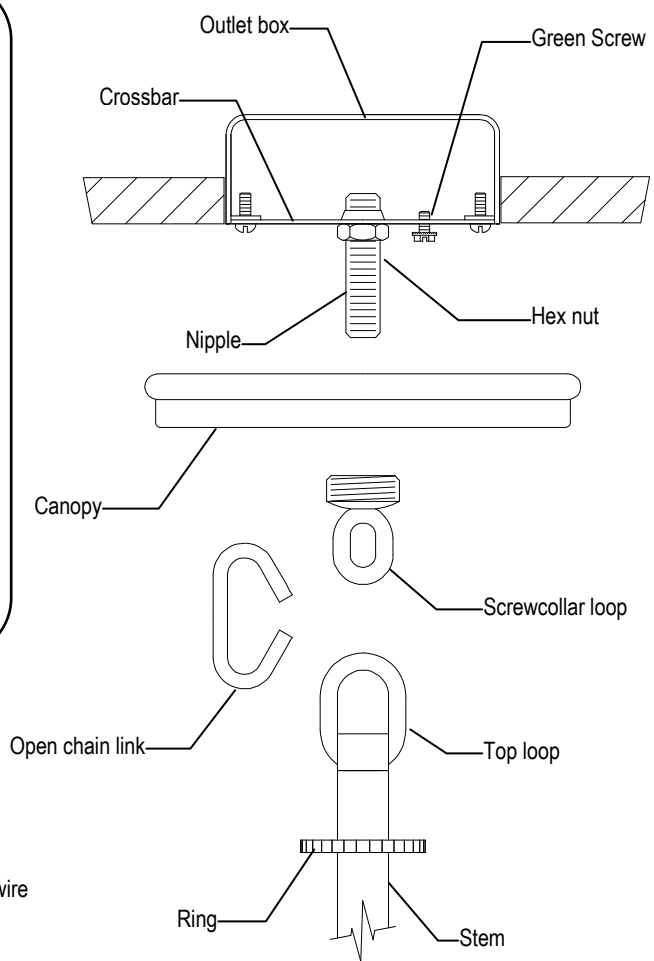
⚠ WARNING
DISCONNECT POWER BEFORE RELAMPING OR WIRING THE FIXTURE.
READ ALL INSTRUCTIONS COMPLETELY BEFORE STARTING INSTALLATION.

⚠ CAUTION

- TO AVOID THE RISK OF FIRE OR SHOCK, FIXTURE MUST BE INSTALLED IN COMPLIANCE WITH ALL APPLICABLE NATIONAL AND LOCAL ELECTRICAL/BUILDING CODES.
- INSTALLATION AND MAINTENANCE OF THIS UNIT REQUIRES AN ELECTRICIAN OR CERTIFIED FACTORY TRAINED TECHNICIAN.
- If an existing fixture is being replaced, remove it and note to which of the wires in the outlet box the fixture was attached. **DO NOT SEPARATE ANY OTHER WIRES THAT MAY BE IN THE BOX. DO NOT DAMAGE THE INSULATION OF OLDER WIRING.** In regular circumstances the **BLACK** wire will be the “Hot” lead and the **WHITE** wire will be the “Neutral” or “Common” lead. A **GREEN** or **BARE COPPER** wire is the “Ground”. In older buildings, it is always good practice to reconfirm the polarity of the wiring.

NOTICE

- The important safeguards and instructions outlined on this sheet cannot cover all possible conditions and situations that may occur. It must be understood that common sense, caution and care are factors that cannot be built into any product. Caution and care must be supplied by the person(s) installing, operating and caring for this lighting fixture.
- This fixture is designed to be mounted on a correctly installed standard round or octagon box or a through wiring box with a plaster frame. The box must be securely mounted to the structure of the building. The crossbar and hardware supplied should be used. Directly mounting the fixture to the outlet box may make it impossible to correctly align the fixture.
- This fixture is supplied with a 4-piece stem. There is one 6" section, 2 12" sections and one 18" section. This feature allows the fixture to be mounted with a stem up to 48" in length in 6" increments.
- This fixture is supplied with a double loop. This allows the fixture to hang straight even when mounted to an angled ceiling.



FIXTURE PREPARATION

1. Remove the fixture and parts bag(s) from the carton.

NOTICE:
Before discarding the carton, double check the contents to make certain that all parts are found.

2. Determine the overall desired length of the fixture. Thread the leads and ground wire through each stem section and the loop at the top as they are assembled.
3. Measure 6" of lead wire beyond the top of the screw collar loop. Cut off the excess wire. Strip the insulation off the ends of the leads exposing approximately 1/2" of wire. Twist the strands of wire together.

FIXTURE INSTALLATION

1. Thread the nipple into the crossbar and the nut onto the nipple. Attach the crossbar to the outlet box. (The green screw should face the floor.)
2. Adjust the nipple so that it extends 1/4" beyond the canopy. Lock the hex nut against the crossbar. Thread the screw collar loop onto the nipple.

- Place the canopy over the screw collar loop. Using the screw collar ring, temporarily secure the canopy in place.
- Using the open link of the chain, hang the fixture on the screw collar loop. Using the chain pliers, close the chain link.



WARNING

The use of chain pliers for opening and closing links of chain is required. The use of tools other than chain pliers may damage the chain link resulting in a failure which can cause harm to the fixture, property, and/or person(s). TIP: If using regular pliers to close the link, place a cloth around the link or wrap the jaws of the pliers with tape to minimize damage to the finish.

- Unscrew the ring from the screw collar loop. Let the ring from the screw collar loop. Let the ring and canopy slide down the stem.
- Feed the leads and ground wire up through the screw collar loop and the nipple and into the outlet box.
- Fasten the ground wire to the green or bare copper wire in the outlet box or the green screw on the crossbar.



WARNING

Never fasten the ground wire to the black or "hot" wire! Failure to follow this instruction could result in serious injury or death!

- Fasten the white fixture lead to the white wire in the outlet box. Fasten the wires together with an approved fastener (wire nut). Starting about 1" below the fastener, tightly wrap the connection with electrical tape so that the tape seals the end of the fastener.



WARNING

Make sure that there is no exposed wire or strands that could cause a dangerous short circuit!

- Connect the black fixture lead to the black wire in the outlet box. Fasten the joined wires as in step 8
- Lift the canopy and screw collar loop to the ceiling. Tighten the ring to hold the canopy in place.
- Using the small Allen ("L") wrench supplied, loosen the grub screw on the ring at the bottom of the fixture. Turn the ring counterclockwise to unlatch it from the bottom of the fixture.
- Remove the ring, lens and cylinder.
- Install the lamps (light bulbs). NOTE: This fixture is rated for 60 watt type A lamps.



WARNING

DO NOT EXCEED RECOMMENDED WATTAGE! To save energy, 13 watt spiral fluorescent lamps may be used.

- Reinstall the cylinder, lens and ring. Tighten the grub screw.
- Restore power to circuit at breaker or fuse box.

