

## ! WARNING

**DISCONNECT POWER BEFORE RE-LAMPING OR WIRING THE FIXTURE  
READ ALL INSTRUCTIONS COMPLETELY BEFORE STARTING INSTALLATION.**

## ! CAUTION

- TO AVOID THE RISK OF FIRE OR SHOCK, FIXTURE MUST BE INSTALLED IN COMPLIANCE WITH ALL APPLICABLE NATIONAL AND LOCAL ELECTRICAL/BUILDING CODES.
- INSTALLATION AND MAINTENANCE OF THIS UNIT REQUIRES AN ELECTRICIAN OR CERTIFIED FACTORY TRAINED TECHNICIAN.
- If an existing fixture is being replaced, remove it and note to which of the wires in the outlet box the fixture was attached. DO NOT SEPARATE ANY OTHER WIRES THAT MAY BE IN THE BOX. DO NOT DAMAGE THE INSULATION OF OLDER WIRING. In regular circumstances the BLACK wire will be the "Hot" lead and the WHITE wire will be the "Neutral" or "Common" lead. A GREEN or BARE COPPER wire is the "Ground". In older buildings it is always good practice to reconfirm the polarity of the wiring.

## NOTICE

- The important safeguards and instructions outlined on this sheet cannot cover all possible conditions and situations that may occur. It must be understood that common sense, caution and care factors that cannot be built into any product. Caution and care must be supplied by the person(s) installing, operating and caring of this lighting fixture.
- This fixture is designed to be mounted on a correctly installed standard round or octagon box or a through wiring box with a plaster frame. The box must be securely mounted to the structure of the building. The crossbar and hardware supplied should be used. Directly mounting the fixture to the outlet box may make it impossible to correctly align the fixture.
- This fixture is supplied with a 4-pcs. stem. There is one 6" section, two 12" section and one 18" section. This feature allows the fixture to be mounted with a stem up to 48" in length in 6" increments (see figure-2)
- This fixture is supplied with a swivel. By rotating the canopy the fixture may be mounted to angled ceiling.

### FIXTURE PREPARATION

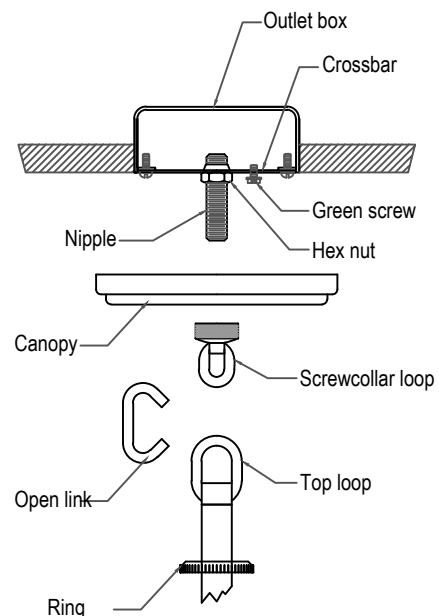
1. Remove the fixture, shade and parts bag(s) from the carton.

#### NOTICE:

**Before discarding the carton, double check to make certain that all parts are found.**

### FIXTURE INSTALLATION

1. Thread the nipple into the crossbar and the nut onto the nipple. Attach the crossbar to the outlet box. (The green screw should face the floor).
2. Adjust the nipple so that it extends  $\frac{1}{4}$ " beyond the canopy. Look the hex nut against the crossbar.
3. Thread the screwcollar loop onto the nipple.
4. Place the canopy over the screwcollar loop. Using the screwcollar ring, temporarily secure the canopy in place.



- Using the open link of chain, hang the fixture on the screwcollar loop.  
Using the chain pliers, close the chain link.



### WARNING

The use of chain pliers for opening and closing chain is required. The use of tools other than the chain pliers may damage the chain link resulting in a failure which can cause harm to the fixture, property and/or person(s)!

- Unscrew the ring from the screwcollar loop.  
Let the ring and canopy slide down the stem.
- Feed the leads and ground wire up through the screwcollar loop and the nipple and into the outlet box.
- Fasten the ground wire to the green or bare copper wire in the outlet box or the green screw on the mounting ring .



### WARNING

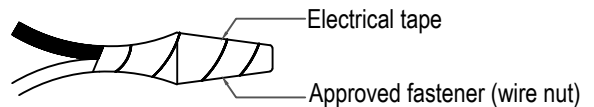
Never fasten the ground wire to the black or "hot" wire! Failure to follow this instruction could result in serious injury or death!

- Fasten the fixture lead with the ridge(s) to the white wire in the outlet box. Fasten the wires together with an approved fastener (wire nut). Starting about 1" below the fastener, tightly wrap the connection with electrical tape so that the connections seals the end of the fastener.



### WARNING

Make sure that there is no exposed wire or strands that could cause a dangerous short circuit!



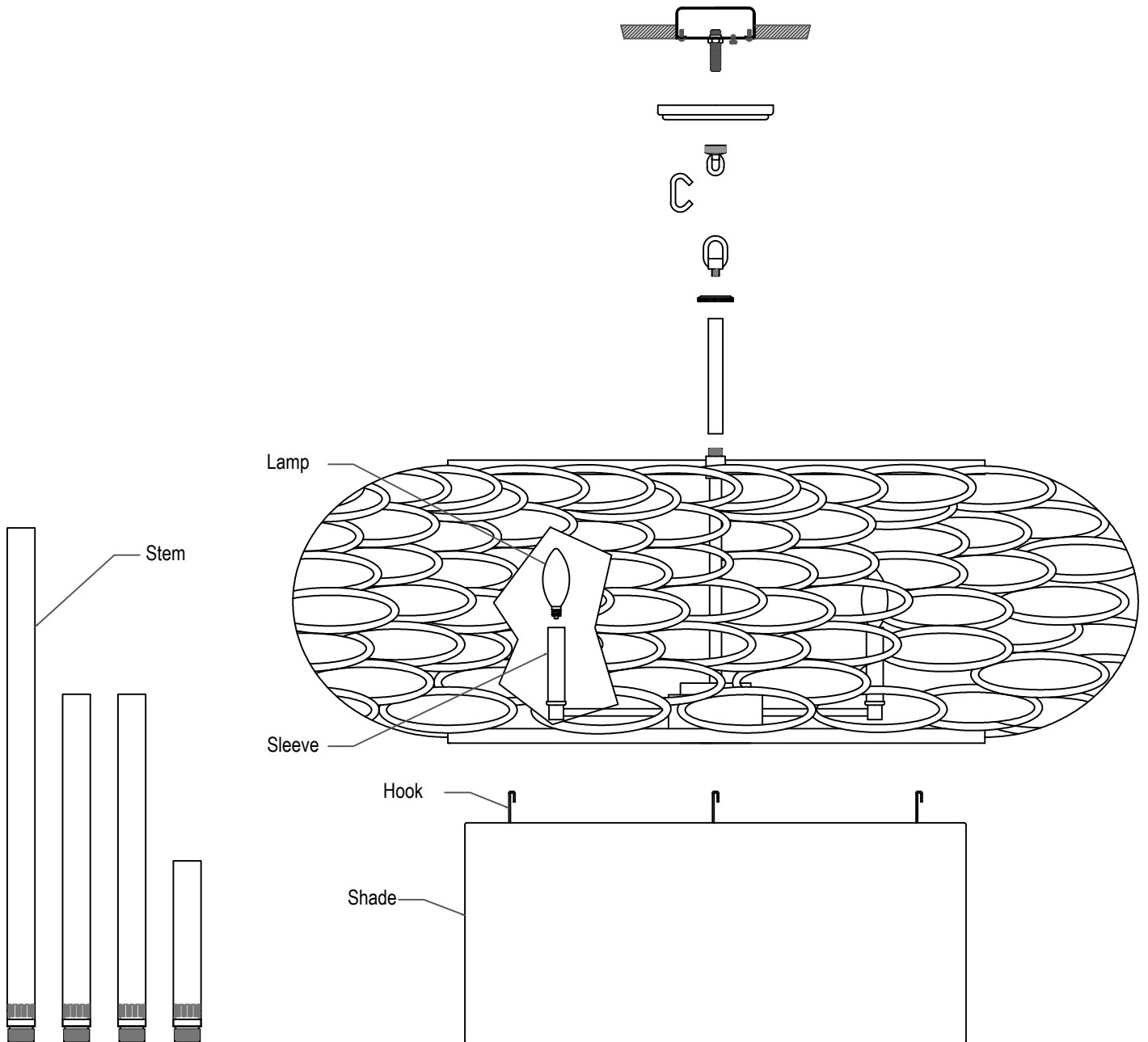
- Connect the smooth fixture lead to the black wire in the outlet box.  
Fasten the joined wires as in step 9.
- Lift the canopy and screwcollar loop and ring to the ceiling  
Tighten the screwcollar ring to hold the canopy in place.
- Place the sleeves over the sockets.
- Lift the shade up into position.  
Rotate the shade to engage the hooks with the support.  
Lower the shade onto the support.
- Install the lamp ( light bulbs). NOTE: This fixture is rated for candelabra based, 60 watt type B, BA, C, or CA lamps.



### WARNING

DO NOT EXCEED RECOMMENDED WATTAGE!

- Restore power to circuit at breaker or fuse box.



**ADJUSTABLE STEM**