



# Copper Creek Hardware DB2400 Series ANSI/BHMA Grade-3 Std. Duty Residential Deadbolt Specifications

**DB2405**  
1/2 bore - 1 Sided  
Deadbolt



**DB2410**  
Sgl. Cylinder  
Deadbolt



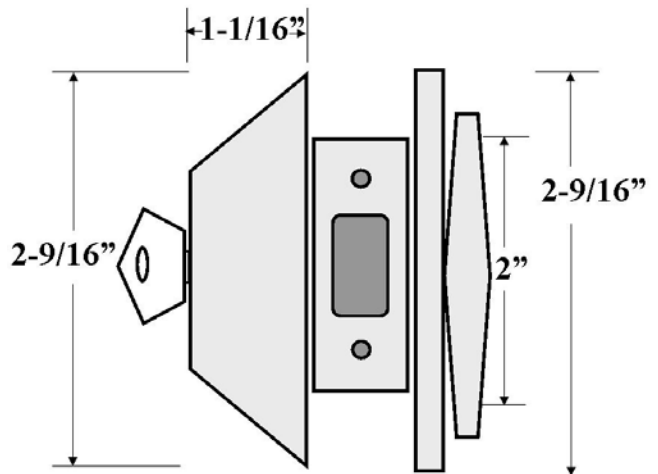
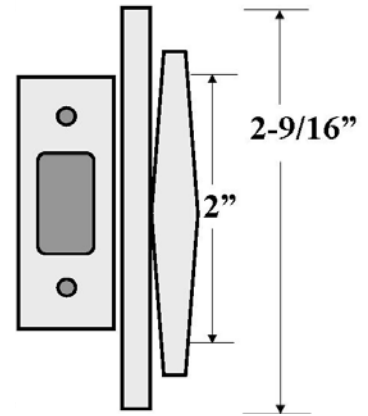
**DB2420**  
Dbl. Cylinder  
Deadbolt



Meets ADA  
Regulations



Available UL  
LISTED



Deadbolt Specifications & Options	
ANSI / BHMA	ANSI 156.2 Grade-3, 200,000 cycles.
Cylinder	Solid Brass KW1 5-pin std "C" optional.
Keying	As specified: Available Master keyed, Builder keyed, KD, KA.
Latch	Adjustable backset, 1" round corner narrow faceplate std. Square corner or drive-in adjustable optional.
Strike	PT-DS16 and PT-DS26: Round corner strikes std. Others available.
Door Prep	Edge bore 1", latch mortise 1"x 2-1/4", cross bore 2-1/8", backset standard 2-3/8", optional 2-3/4".
Door Thickness	Min 1-3/8", Max 1-3/4".
Handing	Non-handed.
UL Labeled	Available 90-minute UL Labeled.
Warranty	Lifetime mechanical, 5 year finish.

SKU #	Available Finishes							Case Qty
	SS	TB	AB	AN	BC	PB	PS	Units
<b>DB2405</b>	x							12
<b>DB2410</b>	x	x	x	x	x	x	x	12
<b>DB2420</b>	x	x	x	x	x	x	x	12

Function	Operation
2405-1/2 Bore One Sided Deadbolt	Inside turn-piece throws or retracts 1" deadbolt latch.
2410 Single Cylinder Deadbolt	Inside turn-piece and exterior key throws or retracts the 1" deadbolt latch.
2420 Double Cylinder Deadbolt	Outside and inside keyed cylinders throw or retract 1" deadbolt latch.