



Copper Creek Hardware E-Series ANSI/BHMA Grade-3 Std. Duty Residential Deadbolt Specifications

DB2405
1/2 bore - 1 Sided
Deadbolt



DB2410
Sgl. Cylinder
Deadbolt



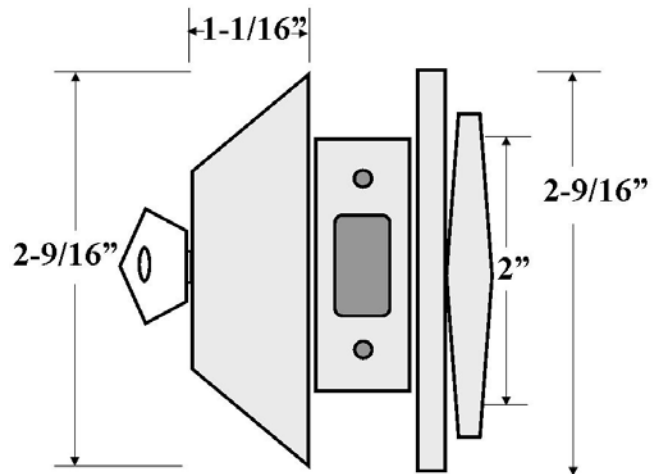
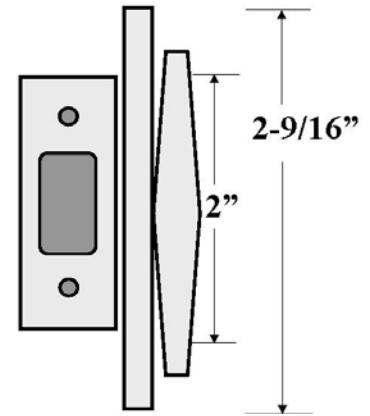
DB2420
Dbl. Cylinder
Deadbolt



Meets ADA
Regulations



Available
UL LISTED



Deadbolt Specifications & Options	
ANSI / BHMA	ANSI 156.2 Grade-3.
Cylinder	5 pin KW1 std., 5 pin "C" optional.
Keying	As specified: Available Master keyed, Builder keyed, KD, KA.
Latch	Adjustable backset, 1" round corner narrow faceplate std. Square corner or drive-in adjustable optional.
Strike	PT-DS16 and PT-DS26: Round corner strikes std. Others available.
Door Prep	1" edge bore, 1"x 2-1/4" latch mortise, 2-1/8" cross bore, 2-3/8" backset standard, 2-3/4" optional.
Door Thickness	Min 1-3/8", Max 1-3/4".
Handing	All E-Series deadbolts are non-handed.
U.L. Labeled	Available 90-minute UL Labeled.
Warranty	Lifetime mechanical, 10 year finish.

SKU #	Available Finishes								Case Qty
	SS	TB	AB	AN	BC	PB	PS	PW	Units
DB2405	x	x							12
DB2410	x	x	x	x	x	x	x	x	12
DB2420	x	x	x	x	x	x	x	x	12

Function	Operation
2405-1/2 Bore One Sided Deadbolt	Inside turn-piece throws or retracts 1" deadbolt latch.
2410 Single Cylinder Deadbolt	Inside turn-piece and exterior key throws or retracts the 1" deadbolt latch.
2420 Double Cylinder Deadbolt	Outside and inside keyed cylinders throw or retract 1" deadbolt latch.