



Bulldog Commercial Hardware 8202/8203 - ANSI/BHMA Grade-2 Light Duty Door Closer Specifications

Applications

- Standard-duty surface mounted door closer suitable for light duty traffic, & standard door applications.
- Dual for standard & top jamb installation.
- Interior Door widths to 36 inches.
- Exterior Door widths to 36 inches (8203 only).
- Door Weights to 99 lbs.

Certifications

- ANSI/BHMA Grade-2.
- UL Listed - Compliant for positive pressure.

Warranty

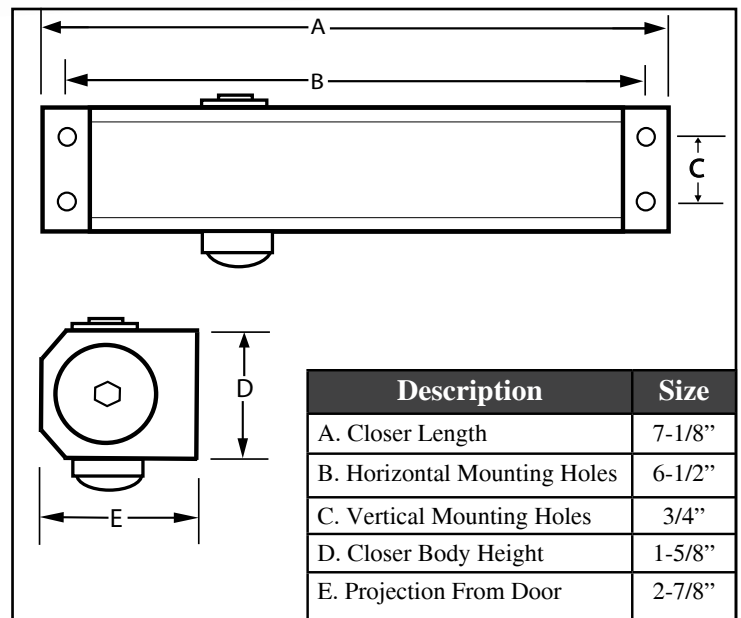
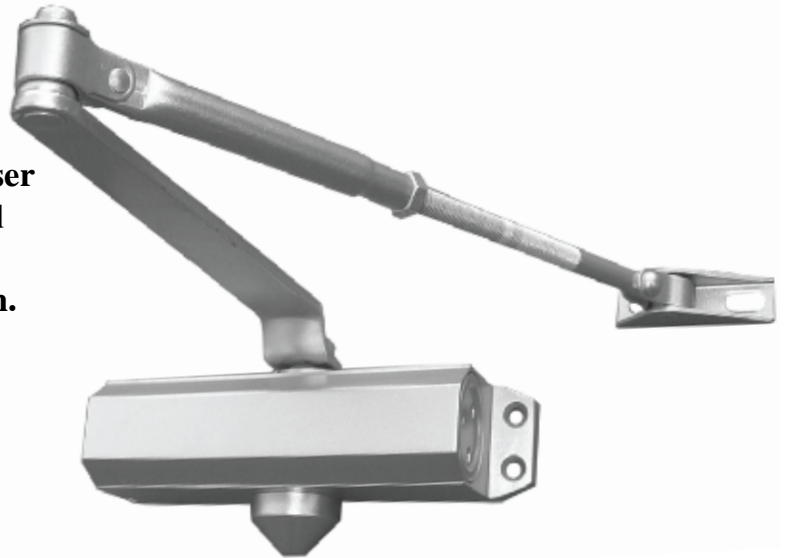
- 10 Year Mechanical Warranty.
- Two Year Finish Warranty.

Closer Functions

- 8202 fixed size 2, 8203 fixed size 3.
- Standard Sweep and Latching.

Closer Features

- Cast aluminum body.
- Cast steel arm.
- Stick-on mounting templates optional.
- Parallel arm bracket optional.
- Thru-bolts optional.
- Non-handed.
- Aluminum (AL) and Duro-Bronze (DB) finishes.



UL LISTED

Bulldog Competitor Cross References

Bulldog	Cal-Royal	K2	LCN	Norton	Pamex	Russwin	Sargent	Yale
CL8202/8203	700	-	1050	1600	800	2800	-	50