



## DAMPERS

*better AIRFLOW  
by DESIGN™*



### **BDD BACKDRAFT DAMPERS**

- Low air leakage design
- Aluminum butterfly damper blades
- Stainless steel collar available - consult factory
- Heavy gauge steel housing
- Suitable for supply or exhaust applications
- Designed for vertical or horizontal mount
- Spring loaded dampers in 4", 5", 6", 8", 10" & 12"
- Gravity operated dampers in 7", 14" & 16"

# BDD BACKDRAFT DAMPERS

## SPRING LOADED DAMPERS

- Neoprene damper seal to minimize air leakage
- Steel housing, aluminum butterfly damper blades
- Gasket designed to withstand temperatures from -22 F to 180 F
- Requires from 0.04 to 0.08 in. wg pressure to open
- Simple installation in any position - entire assembly inserts into duct
- Exterior foam gasket assures a tight seal against duct
- 4", 5", 6" & 8" sizes include stamped metal sleeve with center pin / post designs
- 10" & 12" sizes include rolled metal sleeve with center post design



## GRAVITY OPERATED DAMPERS

- Low air leakage design
- Galvanized steel housing, aluminum butterfly damper blades
- Gravity operated closure
- Install in horizontal or vertical (upblast only) position
- Suitable for supply or exhaust applications
- Available in 7", 14" & 16" sizes

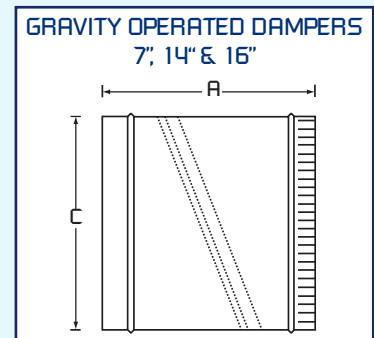
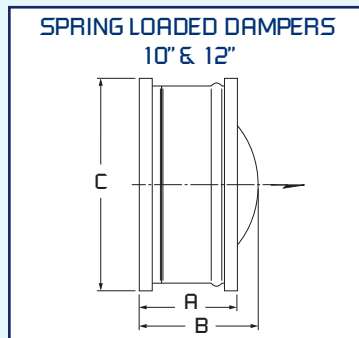
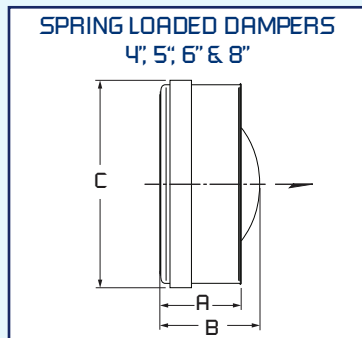
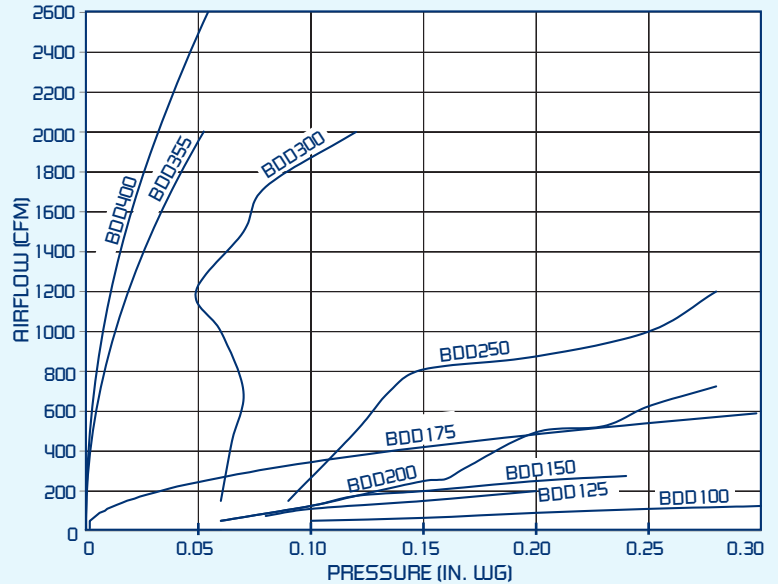


Note: BDD backdraft dampers are not recommended for clothes dryer exhaust.

MODEL	DIMENSIONS IN INCHES*			
	A	B	C (Nominal)	Gauge
<b>SPRING LOADED DAMPERS</b>				
BDD100	1.8	2.0	4	20
BDD125	2.0	2.5	5	20
BDD150	2.5	3.0	6	20
BDD200	2.8	3.8	8	20
BDD250	4.8	6.0	10	20
BDD300	6.3	6.8	12	20
<b>GRAVITY OPERATED DAMPERS</b>				
BDD175	7.0	-	7	28
BDD355	12.0	-	14	24
BDD400	14.0	-	16	22

\*Specifications may change without notice.

AIRFLOW CHARACTERISTICS



[www.continentalfan.com](http://www.continentalfan.com)

—better AIRFLOW by DESIGN™

**USA - Continental Fan Manufacturing Inc.**  
203 Eggert Road, Buffalo, NY 14215  
T: 716-842-0670 • 800-779-4021 • F: 716-842-0611

**Canada - Continental Fan Canada Inc.**  
12-205 Matheson Blvd E, Mississauga, ON L4Z 3E3  
T: 905-890-6192 • 800-779-4021 • F: 905-890-6193

# BDD BACKDRAFT DAMPERS

