

FEATURES

- Clear acrylic prismatic diffuser. Hinges from either side. Flat bottom and vertical sides
- Linear side prisms control visual brightness and direct light onto adjacent ceiling area
- Injection molded decorative glow ends on diffuser baskets.
- Heavy gauge steel housing, die embossed for maximum rigidity
- Heat sink embossments and levelling projections allow direct mounting of HPF fixtures on combustible low density cellulose fiberboard ceilings
- Also available with 2 and 4 lamps, see WCW24

PROJECT INFORMATION

Project Name _____

Type _____

Catalog No. _____

Date _____

FINISH

All parts pre-painted with high gloss baked white enamel, minimum reflectance 86%, applied over iron phosphate pre-treatment for maximum adhesion and rust resistance.

BALLASTS

Energy efficient, thermally protected, automatic resetting, Class P, high power factor, sound rated A, unless otherwise specified. CEE NEMA Premium compliant.

ELECTRICAL

Standard class "P", thermally protected, auto-resetting HPF ballast, sound rated A. CEE NEMA Premium compliant. All ballast leads extend a minimum of 6" through access location. NEC/CEC-compliant ballast disconnect is standard.

SHIELDING

100% clear prismatic acrylic. 50% DR acrylic lens available as an option.

CERTIFICATION

All luminaires are built to UL 1598 standards and bear appropriate UL and cUL or CSA labels. Damp location labeling is standard. Emergency-equipped fixtures labeled UL 924.

ORDERING INFORMATION

EXAMPLE WCW4-332-3EU

| | | | | | | | | | | | |
|--|--|--|--|---|--|---|--|-------------------------|--|---|--|
| WCW | | 3 | | Blank | | E | | U | | GLR | |
| MODEL | | NO. OF LAMPS | | LENS | | BALLAST | | VOLTAGE | | OPTIONS | |
| WCW 15 ³ / ₈ " Wide Specification Grade Wraparound | | 3 Three | | Blank Clear Prismatic Acrylic DR 50% DR content, Clear Prismatic Acrylic | | E Electronic T8, Instant Start 3E 3-Lamp Electronic T8, Instant Start 24E (1) 2-Lamp and (1) 4-Lamp Electronic T8 Instant Start | | U 120V-277V 347 347V | | GLR Fast Blow Fuse EL Emergency Battery Pack PAF Paint After Fabrication NYC NYC Compliant NYCU NYC Compliant, Union Label | |
| SIZE | | LAMP TYPE | | | | EP Electronic T5, T5HO, or T8, Programmed Start 3EP 3-Lamp Electronic T5 or T8, Programmed Start 24EP (1) 2-Lamp and (1) 4-Lamp Electronic T5 or T8, Programmed Start | | | | ACCESSORIES (ORDER SEPARATELY) | |
| 4 4' 8 8' | | 28 4', T5: 28 Watt 32 4', T8: 32, 30, 28 or 25 Watt 54 4', T5HO: 54 or 51 Watt | | | | | | | | ITB4 T-Bar Hanger S18 18" Stem, Canopy (requires SB3) SS18 18" Swivel Stem - 45° Swivel (requires SB3) SB3 Stem Mounting Bracket | |

PHOTOMETRIC DATA

LUMINAIRE DATA

| | |
|--------------------------|---|
| Luminaire | WCW4-332 WCW Wraparound 15" x 48" 3-Lamp with Wraparound Acrylic Prisms Lens |
| Ballast | REL3P32SC |
| Ballast Factor | 0.86 |
| Lamp | F32T8 |
| Lumens per Lamp | 2900 |
| Watts | 82 |
| Shielding Angle | N/A |
| Spacing Criterion | 0° = 1.28 90° = 1.36 |
| Luminous Opening in Feet | Length: 3.97 Width: 1.23 Height: 0.17 |

ZONAL LUMEN SUMMARY

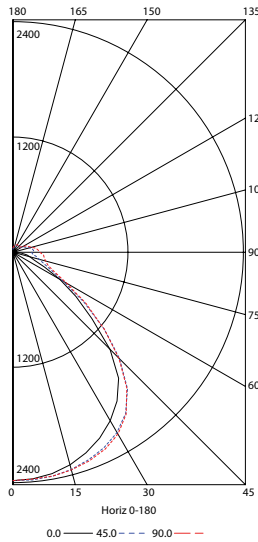
| Zone | Lumens | % Lamp | % Fixt. |
|--------|--------|--------|---------|
| 0-30 | 1904 | 21.9 | 27.9 |
| 0-40 | 3153 | 36.2 | 46.2 |
| 0-60 | 5139 | 59.1 | 75.3 |
| 0-90 | 6161 | 70.8 | 90.3 |
| 90-120 | 443 | 5.1 | 6.5 |
| 90-130 | 514 | 5.9 | 7.5 |
| 90-150 | 616 | 7.1 | 9.0 |
| 90-180 | 665 | 7.6 | 9.7 |
| 0-180 | 6826 | 78.5 | 100.0 |

Test 13335 Test Date 2/25/03

ENERGY DATA

| | |
|---|--|
| Total Luminaire Efficiency | 78.5% |
| Luminaire Efficacy Rating (LER) | 72 |
| IESNA RP-1-1993 Compliance | Non-Compliant |
| Comparative Yearly Lighting Energy Cost per 1000 Lumens | \$3.33 based on 3000 hrs. and \$0.08 per KWH |

INDOOR CANDELA PLOT



AVG. LUMINANCE (Candela/Sq. M.)

| | 0.0 | 22.5 | 45.0 | 67.5 | 90.0 |
|----|------|------|------|------|------|
| 0 | 5218 | 5218 | 5218 | 5218 | 5218 |
| 30 | 5010 | 5043 | 5115 | 5104 | 5129 |
| 40 | 4733 | 4788 | 4802 | 4747 | 4737 |
| 45 | 4260 | 4355 | 4328 | 4256 | 4253 |
| 50 | 3485 | 3691 | 3663 | 3579 | 3627 |
| 55 | 2886 | 2950 | 2908 | 2923 | 2975 |
| 60 | 2307 | 2364 | 2212 | 2367 | 2358 |
| 65 | 1725 | 2007 | 1805 | 2040 | 1951 |
| 70 | 1355 | 1835 | 1650 | 1898 | 1836 |
| 75 | 1359 | 1779 | 1648 | 1944 | 2011 |
| 80 | 1481 | 1782 | 1802 | 2236 | 2391 |
| 85 | 1426 | 1734 | 2126 | 2828 | 3177 |

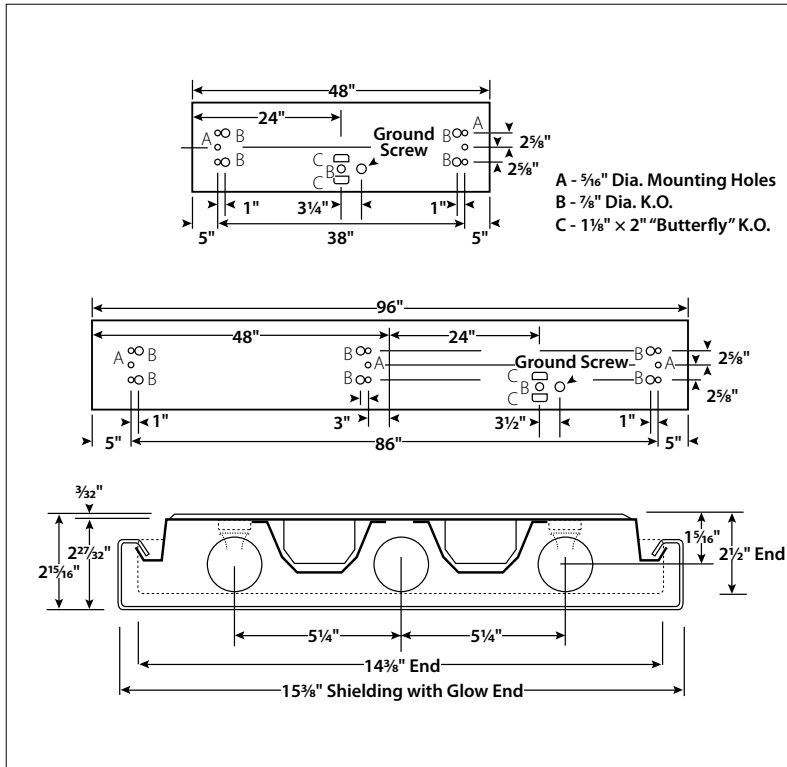
COEFFICIENTS OF UTILIZATION (%)

| RCR | RC 80 | | | | RC 70 | | | | RC 50 | | | | RC 0 | | | | |
|-----|-------|----|----|----|-------|----|----|----|-------|----|----|----|------|----|----|----|----|
| | RW | 70 | 50 | 30 | 10 | 70 | 50 | 30 | 10 | 50 | 30 | 10 | 0 | 50 | 30 | 10 | 0 |
| 1 | 84 | 80 | 77 | 74 | 81 | 78 | 75 | 72 | 73 | 70 | 68 | 60 | 60 | 64 | 61 | 57 | 51 |
| 2 | 77 | 71 | 65 | 61 | 74 | 68 | 64 | 60 | 64 | 61 | 57 | 51 | 51 | 57 | 53 | 49 | 43 |
| 3 | 70 | 63 | 57 | 52 | 68 | 61 | 55 | 51 | 57 | 53 | 49 | 43 | 43 | 49 | 45 | 41 | 35 |
| 4 | 65 | 56 | 49 | 44 | 62 | 54 | 48 | 44 | 51 | 46 | 42 | 38 | 38 | 44 | 40 | 37 | 33 |
| 5 | 60 | 50 | 44 | 39 | 58 | 49 | 43 | 38 | 46 | 41 | 37 | 33 | 33 | 39 | 35 | 31 | 27 |
| 6 | 55 | 45 | 39 | 34 | 53 | 44 | 38 | 33 | 42 | 37 | 33 | 29 | 29 | 35 | 31 | 27 | 23 |
| 7 | 51 | 41 | 35 | 30 | 50 | 40 | 34 | 30 | 38 | 33 | 29 | 26 | 26 | 32 | 28 | 24 | 20 |
| 8 | 48 | 38 | 31 | 27 | 46 | 37 | 31 | 27 | 35 | 30 | 26 | 23 | 23 | 29 | 25 | 21 | 17 |
| 9 | 45 | 35 | 28 | 24 | 43 | 34 | 28 | 24 | 32 | 27 | 24 | 21 | 21 | 26 | 22 | 18 | 14 |
| 10 | 42 | 32 | 26 | 22 | 41 | 31 | 26 | 22 | 30 | 25 | 21 | 19 | 19 | 24 | 20 | 16 | 12 |

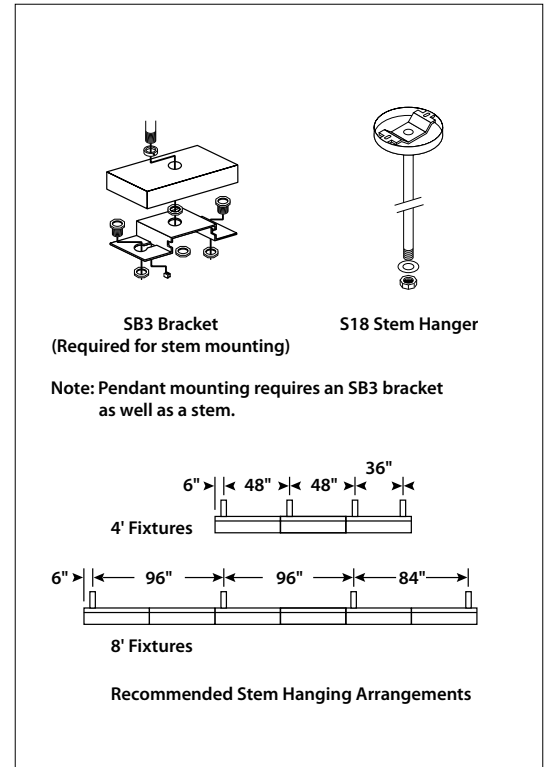
RCR = Room Cavity Ratio

RC = Effective Ceiling Cavity Reflectance RW = Wall Reflectance

DIMENSIONAL DATA



STEM/PENDANT MOUNTING



NOTE: All dimensions are in inches; dimensions and specifications are subject to change without notice. Please consult factory or check sample for verification.