

**FEATURES**

- Clear acrylic prismatic diffuser. Hinges from either side. Flat bottom and vertical sides
- Linear side prisms control visual brightness and direct light onto adjacent ceiling area
- Injection molded decorative glow ends on diffuser baskets.
- Heavy gauge steel housing, die embossed for maximum rigidity
- Heat sink embossments and levelling projections allow direct mounting of HPF fixtures on combustible low density cellulose fiberboard ceilings

**PROJECT INFORMATION**

Project Name \_\_\_\_\_

Type \_\_\_\_\_

Catalog No. \_\_\_\_\_

Date \_\_\_\_\_

**FINISH**

All parts pre-painted with high gloss baked white enamel, minimum reflectance 86%, applied over iron phosphate pre-treatment for maximum adhesion and rust resistance.

**SHIELDING**

100% clear prismatic acrylic. 50% DR acrylic lens available as an option.

**BALLASTS**

Energy efficient, thermally protected, automatic resetting, Class P, high power factor, sound rated A, unless otherwise specified. CEE NEMA Premium compliant.

**CERTIFICATION**

All luminaires are built to UL 1598 standards and bear appropriate UL and cUL or CSA labels. Damp location labeling is standard. Emergency-equipped fixtures labeled UL 924.

**ELECTRICAL**

Standard class "P", thermally protected, auto-resetting HPF ballast, sound rated A. CEE NEMA Premium compliant. All ballast leads extend a minimum of 6" through access location. NEC/CEC-compliant ballast disconnect is standard.

**ORDERING INFORMATION**

**EXAMPLE WC4-232-EU**

<b>WC</b>	-	<b>2</b>	-	-	-	-	
<b>MODEL</b>		<b>NO. OF LAMPS</b>		<b>LENS</b>		<b>VOLTAGE</b>	<b>OPTIONS</b>
<b>WC</b> 10" Wide Specification Grade Wraparound		<b>2</b> Two		<b>Blank</b> Clear Prismatic Acrylic <b>DR</b> 50% DR content, Clear Prismatic Acrylic		<b>U</b> 120V-277V <b>347</b> 347V	<b>GLR</b> Fast Blow Fuse <b>EL</b> Emergency Battery Pack <b>PAF</b> Paint After Fabrication <b>NYC</b> NYC Compliant <b>NYCU</b> NYC Compliant, Union Label
	<b>SIZE</b>		<b>LAMP TYPE</b>		<b>BALLAST</b>		<b>ACCESSORIES (ORDER SEPARATELY)</b>
	<b>2</b> 2' <b>4</b> 4' <b>8</b> 8'		<b>14</b> 2', T5: 14 Watt <b>17</b> 2', T8: 17 Watt <b>24</b> 2', T5HO: 24 Watt <b>28</b> 4', T5: 28 Watt <b>32</b> 4', T8: 32, 30, 28 or 25 Watt <b>54</b> 4', T5HO: 54 or 51 Watt		<b>E</b> Electronic T8, Instant Start <b>4E</b> 4-Lamp Electronic T8, Instant Start <b>EP</b> Electronic T5, T5HO, or T8, Programmed Start <b>4EP</b> 4-Lamp Electronic T5 or T8, Programmed Start		<b>ITB4</b> T-Bar Hanger <b>S18</b> 18" Stem, Canopy <b>SS18</b> 18" Swivel Stem - 45° Swivel

### PHOTOMETRIC DATA

#### LUMINAIRE DATA

Luminaire	<b>WC4-232</b> <b>10" x 48" White Painted Interior with Wraparound Prisms Lens</b>
Ballast	<b>B232I120RH</b>
Ballast Factor	<b>0.88</b>
Lamp	<b>FO32/31K</b>
Lumens per Lamp	<b>2900</b>
Watts	<b>59</b>
Shielding Angle	<b>N/A</b>
Spacing Criterion	<b>0° = 1.27 90° = 1.31</b>
Luminous Opening in Feet	<b>Length: 4.00</b> <b>Width: 0.82</b> <b>Height: 0.08</b>

#### ZONAL LUMEN SUMMARY

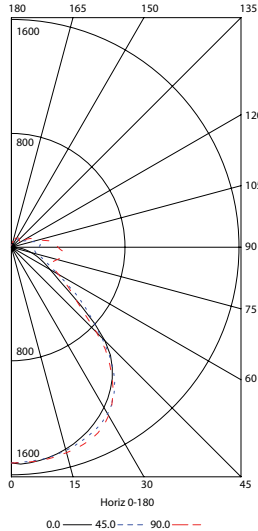
Zone	Lumens	% Lamp	% Fixt.
0-30	1208	20.8	27.1
0-40	1980	34.1	44.4
0-60	3114	53.7	69.8
0-90	3861	66.6	86.5
90-120	422	7.3	9.5
90-130	481	8.3	10.8
90-150	569	9.8	12.7
90-180	601	10.4	13.5
0-180	4463	76.9	100.0

Test L11152 Test Date 1/8/03

#### ENERGY DATA

Total Luminaire Efficiency	<b>76.9%</b>
Luminaire Efficacy Rating (LER)	<b>67</b>
IESNA RP-1-1993 Compliance	<b>Non-Compliant</b>
Comparative Yearly Lighting Energy Cost per 1000 Lumens	<b>\$3.58 based on 3000 hrs. and \$0.08 per KWH</b>

#### INDOOR CANDELA PLOT



#### AVG. LUMINANCE (Candela/Sq. M.)

	0.0	22.5	45.0	67.5	90.0
0	4975	4975	4975	4975	4975
30	4870	4824	4885	4864	4900
40	4647	4522	4441	4292	4261
45	4222	4079	3839	3623	3577
50	3186	3399	3242	2826	2790
55	2308	2814	2675	2385	2451
60	1998	2382	2157	2178	2156
65	1869	2067	1891	2099	2029
70	1764	1830	1804	2224	2323
75	1699	1679	1829	2731	3114
80	1680	1780	2158	3781	4477
85	1532	1908	3244	5672	6551

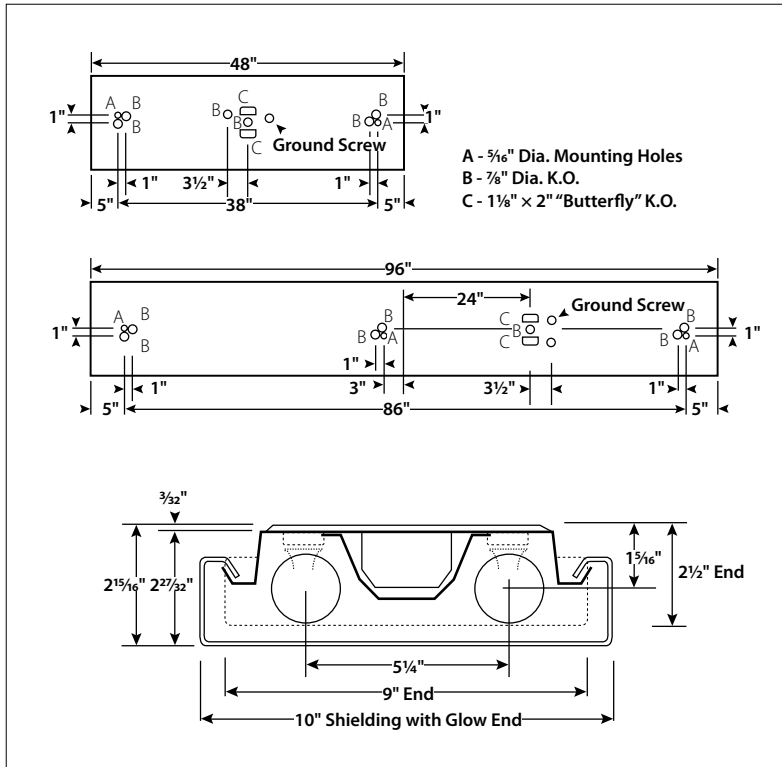
#### COEFFICIENTS OF UTILIZATION (%)

RCR	RW	80				70				50				0				
		70	50	30	10	70	50	30	10	50	30	10	0	50	30	10	0	
1	81	77	74	71	78	74	71	69	69	67	65	55						
2	74	68	63	58	71	66	61	57	61	57	54	47						
3	68	60	54	49	65	58	53	48	54	50	46	40						
4	63	54	47	42	60	52	46	42	49	44	40	35						
5	58	48	42	37	55	47	41	36	44	39	35	31						
6	54	44	37	33	51	42	36	32	40	35	31	27						
7	50	40	33	29	48	39	33	28	37	31	28	24						
8	46	36	30	26	45	35	30	26	34	28	25	22						
9	43	33	27	23	42	33	27	23	31	26	22	20						
10	41	31	25	21	39	30	25	21	29	24	20	18						

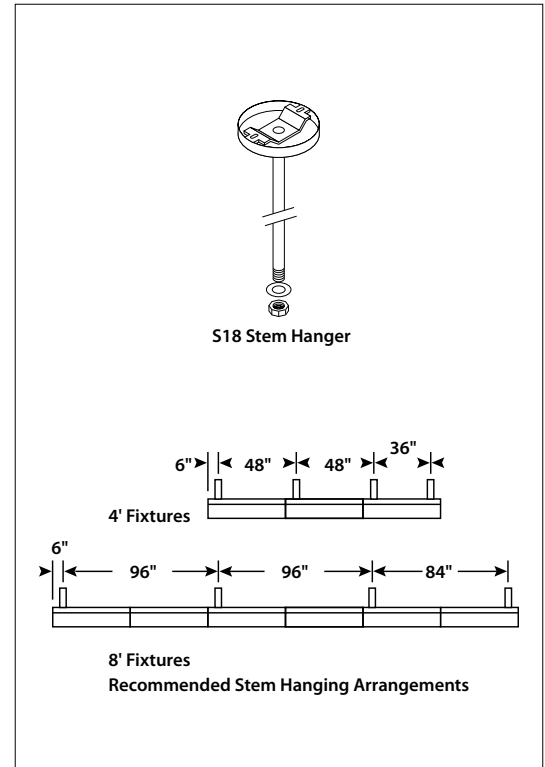
RCR = Room Cavity Ratio

RC = Effective Ceiling Cavity Reflectance RW = Wall Reflectance

#### DIMENSIONAL DATA



#### STEM MOUNTING



**NOTE:** All dimensions are in inches; dimensions and specifications are subject to change without notice. Please consult factory or check sample for verification.