

FEATURES

- T5, T8, and twin tube optical systems available
- Full distribution provides controlled high angle light for visual comfort
- Advanced optical design produces high efficiencies
- Exclusive T8 EnergyMax® tuned 1.04 ballast factor ballast
- Step dimming options available for both T5 and T8 expand energy savings opportunities
- Low W/ft² ratio meets the most restrictive lighting power density codes
- Typically qualifies for EPAct tax deductions
- Unique frameless optics system allows easy access to lamps and electrical from below the ceiling
- Lens styles provide aesthetic alternatives
- Low profile housing fits in tight plenum spaces
- Available with exclusive wiHUBB technology preinstalled
 - Peer to peer, self-healing wireless mesh network
 - Integrated control system for 0-10VDC or step dimming, or On/Off

PROJECT INFORMATION

Project Name _____

Type _____

Catalog No. _____

Date _____

CONSTRUCTION

Luminaire housing, end caps, and reflectors are die-formed code-gauge cold-rolled steel. Frameless optics system hinges from either side for easy access to lamps and electrical components. Mechanical light trap prevents light leaks. Latches are spring loaded.

FINISH

All visible parts are custom formulated soft, non-glare high-reflectance white powder coat finish, painted after fabrication.

SHIELDING

Lenses are high transmission extruded acrylic.

INSTALLATION

An access plate is furnished with each recessed fixture for fast wiring connections without the necessity to open the fixture or wireway.

BALLASTS

Energy efficient, thermally protected, automatic resetting, Class P, high power factor, sound rated A, magnetic or electronic ballasts. CEE NEMA Premium compliant.

ELECTRICAL

Standard class “P”, thermally protected, autoresetting HPF ballast, sound rated A. CEE NEMA Premium compliant. All ballast leads extend a minimum of 6” through access location. NEC/CEC-compliant ballast disconnect is standard.

EMERGENCY

Field installation of battery packs requires use of remote test switch.

CEILING COMPATIBILITY

Luminaire is available to fit exposed grid ceilings, or hard ceilings when a flange kit is ordered. Some options may increase fixture depth. For information on compatibility with specific ceilings, or where plenum depth is a problem, contact your Columbia Lighting representative. Four integral T-bar clips are standard.

CERTIFICATION

All luminaires are built to UL 1598 standards and bear appropriate UL and cUL or CSA labels. Damp location labeling is standard. Emergency-equipped fixtures labeled UL 924.

ORDERING INFORMATION

EXAMPLE EPC22-224G-DL-EPU-F5835

| EPC 22 - 2 | | | | | | | | | |
|--|--|--|---------------------------------------|---|--|---|--|--|--|
| MODEL | NO. OF LAMPS | CEILING TYPE | SHIELDING | AIR FUNCTION | VOLTAGE | OPTIONS | | | |
| EPC e-poc® Full Distribution Luminaire | 2 Two | G Grid SM Surface Mount For hard ceilings use flange kit. | DL Delta Profile SH Shield Profile | Blank Static A Air Return Side Slots | U 120V-277V 347 347V ¹ | C388 3-Wire Flex C488 4-Wire Flex C588 5-Wire Flex EL Emergency Battery Pack ⁴ GLR Fast Blow Fuse GMF Slow Blow Fuse NYC NYC Compliant NYCU NYC Compliant, Union Label WIH wiHUBB Enabled ⁵ | | | |
| SIZE | LAMP TYPE | BALLAST | | | LAMPS | | | | |
| 22 2' x 2' | 14 2', T5: 14 Watt 17 2', T8: 17 Watt 24 2', T5HO: 24 Watt 40TT Twin Tube Compact, 2G11 Base: 40 Watt | E Electronic T8, 0.88 Ballast Factor, Instant Start ED Electronic T8, T5 Dimming, Programmed Start ¹ ESD Electronic T8, 0.88 Ballast Factor, Step Dimming, Programmed Start ELW Electronic T8, 0.77 Ballast Factor, Low Wattage, Instant Start EHL Electronic T8, 1.18 Ballast Factor, High Wattage, Instant Start E104 Electronic T8, 1.04 Ballast Factor, Instant Start ² (N/A 1-Lamp) ESD104 Electronic T8, 1.04 Ballast Factor, Step Dimming, Programmed Start ^{1,3} EP104 Electronic T8, 1.04 Ballast Factor Programmed Start ³ EP Electronic T5, T5HO, 1.0 Ballast Factor or T8, 0.88 Ballast Factor, Programmed Start EP95 Electronic T5, 0.95 Ballast Factor, Programmed Start (N/A T5HO, 1-Lamp) ESD95 Electronic T5, 0.95 Ballast Factor, Step Dimming, Programmed Start (N/A T5HO, 1-Lamp) EP115 Electronic T5, 1.15 Ballast Factor, Programmed Start (N/A T5HO, 1-Lamp) ESD115 Electronic T5, 1.15 Ballast Factor, Step Dimming, Programmed Start (N/A T5HO, 1-Lamp) ETT Electronic Twin Tube, Instant Start (specify voltage) EPTT Electronic Twin Tube, Programmed Start | | | F0730 30K 75CRI T8 Lamps Installed F0735 35K 75CRI T8 Lamps Installed F0741 41K 75CRI T8 Lamps Installed F0830 30K 82CRI T8 Lamps Installed F0835 35K 82CRI T8 Lamps Installed F0841 41K 82CRI T8 Lamps Installed F5830 30K 85CRI T5 or T5HO Lamps Installed F5835 35K 85CRI T5 or T5HO Lamps Installed F5841 41K 85CRI T5 or T5HO Lamps Installed FTT830 30K Twin Tube Lamps Installed FTT835 35K Twin Tube Lamps Installed FTT841 41K Twin Tube Lamps Installed | | | | |
| ACCESSORIES (ORDER SEPARATELY) | | | | | | | | | |
| FK22 2' x 2' Single Flange Kit | FKCR Flange Kit Row Adaptor | | | | | | | | |

Damp Label - standard

¹ Where available.

² Not compatible with T8 25, 28, or 30 watt energy savings lamps.

³ For e-poc Plus, order "PlusXX" lamps under "Options."

⁴ Not available with "A" air function.

⁵ Not available with Surface Mount ceiling types.

Protected by US Patents D603,999; D604,446. Additional US and Canada Patents Pending. Specifications subject to change without notice.



PHOTOMETRIC DATA

Test 15106 Test Date 8/7/08

LUMINAIRE DATA

| | |
|--------------------------|--|
| Luminaire | EPC22-224G-DL-EP e-poc™ Troffer Recessed 2' x 2' 2-lamp with two opal delta lenses |
| Ballast | ICN-2524 |
| Ballast Factor | 1.00 |
| Lamp | F24T5HO |
| Lumens per Lamp | 1750 |
| Watts | 52 |
| Mounting | Recessed |
| Shielding Angle | 0° = 90 90° = 90 |
| Spacing Criterion | 0° = 1.26 90° = 1.36 |
| Luminous Opening in Feet | Length: 1.83 Width: 1.83 Height: 0.00 |

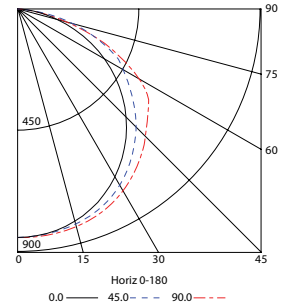
AVG. LUMINANCE (Candela/Sq. M.)

| | 0.0 | 22.5 | 45.0 | 67.5 | 90.0 |
|----|------|------|------|------|------|
| 0 | 2726 | 2726 | 2726 | 2726 | 2726 |
| 30 | 2676 | 2717 | 2806 | 2876 | 2899 |
| 40 | 2627 | 2694 | 2824 | 2945 | 2987 |
| 45 | 2586 | 2668 | 2827 | 2991 | 3050 |
| 50 | 2540 | 2635 | 2835 | 3055 | 3155 |
| 55 | 2482 | 2589 | 2858 | 3200 | 3334 |
| 60 | 2398 | 2539 | 2918 | 3323 | 3368 |
| 65 | 2289 | 2487 | 3050 | 3217 | 3187 |
| 70 | 2124 | 2425 | 2960 | 2894 | 2801 |
| 75 | 1900 | 2434 | 2670 | 2434 | 2335 |
| 80 | 1629 | 2277 | 2166 | 1944 | 1832 |
| 85 | 1217 | 1696 | 1438 | 1143 | 1033 |

COEFFICIENTS OF UTILIZATION (%)

| RCR | 80 | | | 70 | | | 50 | | | 0 | | | | |
|-----|----|----|----|----|----|----|----|----|----|----|----|----|----|----|
| | RW | 70 | 50 | 30 | 10 | 70 | 50 | 30 | 10 | 70 | 50 | 30 | 10 | 0 |
| 1 | 83 | 80 | 76 | 73 | 81 | 78 | 75 | 72 | 74 | 72 | 70 | 64 | 60 | 64 |
| 2 | 75 | 69 | 63 | 59 | 73 | 67 | 62 | 58 | 65 | 60 | 57 | 53 | 50 | 53 |
| 3 | 69 | 60 | 54 | 48 | 67 | 59 | 53 | 48 | 57 | 51 | 47 | 44 | 40 | 44 |
| 4 | 63 | 53 | 46 | 41 | 61 | 52 | 45 | 40 | 50 | 44 | 40 | 37 | 34 | 37 |
| 5 | 57 | 47 | 40 | 35 | 56 | 46 | 40 | 35 | 45 | 39 | 34 | 32 | 28 | 32 |
| 6 | 53 | 42 | 35 | 30 | 51 | 42 | 35 | 30 | 40 | 34 | 30 | 28 | 24 | 28 |
| 7 | 49 | 38 | 31 | 27 | 48 | 38 | 31 | 26 | 36 | 31 | 26 | 24 | 20 | 24 |
| 8 | 45 | 35 | 28 | 24 | 44 | 34 | 28 | 23 | 33 | 27 | 23 | 22 | 18 | 22 |
| 9 | 42 | 32 | 25 | 21 | 41 | 31 | 25 | 21 | 31 | 25 | 21 | 19 | 17 | 19 |
| 10 | 40 | 29 | 23 | 19 | 39 | 29 | 23 | 19 | 28 | 23 | 19 | 17 | 15 | 17 |

INDOOR CANDELA PLOT



ZONAL LUMEN SUMMARY

| Zone | Lumens | % Lamp | % Fixt. |
|-------|--------|--------|---------|
| 0-30 | 677 | 19.3 | 25.2 |
| 0-40 | 1125 | 32.1 | 41.8 |
| 0-60 | 2065 | 59.0 | 76.8 |
| 0-90 | 2690 | 76.9 | 100.0 |
| 0-180 | 2690 | 76.9 | 100.0 |

RCR = Room Cavity Ratio

RC = Effective Ceiling Cavity Reflectance RW = Wall Reflectance

ENERGY DATA

| | |
|---|--|
| Total Luminaire Efficiency | 76.9% |
| Luminaire Efficacy Rating (LER) | 52 |
| IESNA RP-1-1993 Compliance | Non-Compliant |
| ANSI/IESNA RP-1-2004 Compliance | Non-Compliant |
| Comparative Yearly Lighting Energy Cost per 1000 Lumens | \$4.62 based on 3000 hrs. and \$0.08 per KWH |

LUMINAIRE DATA

| | |
|--------------------------|---|
| Luminaire | EPC22-217G-DL e-poc™ Troffer Recessed 2' x 2' 2-lamp with two opal delta lenses |
| Ballast | B232IUNV104-A |
| Ballast Factor | 1.04 |
| Lamp | F17T8 |
| Lumens per Lamp | 1375 |
| Watts | 36 |
| Mounting | Recessed |
| Shielding Angle | 0° = 90 90° = 90 |
| Spacing Criterion | 0° = 1.25 90° = 1.36 |
| Luminous Opening in Feet | Length: 1.83 Width: 1.83 Height: 0.00 |

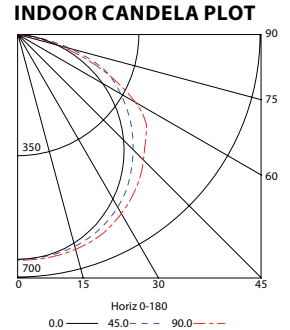
AVG. LUMINANCE (Candela/Sq. M.)

| | 0.0 | 22.5 | 45.0 | 67.5 | 90.0 |
|----|------|------|------|------|------|
| 0 | 2086 | 2086 | 2086 | 2086 | 2086 |
| 30 | 2038 | 2075 | 2141 | 2201 | 2219 |
| 40 | 1997 | 2048 | 2152 | 2253 | 2287 |
| 45 | 1968 | 2027 | 2155 | 2286 | 2336 |
| 50 | 1930 | 2005 | 2160 | 2335 | 2415 |
| 55 | 1883 | 1973 | 2169 | 2432 | 2544 |
| 60 | 1826 | 1929 | 2211 | 2513 | 2552 |
| 65 | 1742 | 1894 | 2289 | 2396 | 2373 |
| 70 | 1635 | 1842 | 2199 | 2133 | 2058 |
| 75 | 1478 | 1838 | 1950 | 1763 | 1701 |
| 80 | 1277 | 1703 | 1573 | 1407 | 1333 |
| 85 | 996 | 1254 | 1033 | 811 | 738 |

COEFFICIENTS OF UTILIZATION (%)

| RCR | 80 | | | 70 | | | 50 | | | 0 | | | | |
|-----|----|----|----|----|----|----|----|----|----|----|----|----|----|----|
| | RW | 70 | 50 | 30 | 10 | 70 | 50 | 30 | 10 | 70 | 50 | 30 | 10 | 0 |
| 1 | 81 | 77 | 74 | 71 | 79 | 75 | 72 | 70 | 72 | 70 | 67 | 62 | 60 | 62 |
| 2 | 73 | 67 | 61 | 57 | 71 | 65 | 60 | 56 | 63 | 59 | 55 | 51 | 48 | 51 |
| 3 | 66 | 58 | 52 | 47 | 64 | 57 | 51 | 47 | 55 | 50 | 46 | 42 | 40 | 42 |
| 4 | 61 | 51 | 45 | 40 | 59 | 50 | 44 | 39 | 48 | 43 | 39 | 36 | 34 | 36 |
| 5 | 56 | 46 | 39 | 34 | 54 | 45 | 38 | 34 | 43 | 38 | 33 | 31 | 28 | 31 |
| 6 | 51 | 41 | 34 | 29 | 50 | 40 | 34 | 29 | 39 | 33 | 29 | 27 | 24 | 27 |
| 7 | 47 | 37 | 30 | 26 | 46 | 36 | 30 | 26 | 35 | 30 | 25 | 24 | 20 | 24 |
| 8 | 44 | 34 | 27 | 23 | 43 | 33 | 27 | 23 | 32 | 27 | 23 | 21 | 18 | 21 |
| 9 | 41 | 31 | 25 | 21 | 40 | 30 | 25 | 20 | 30 | 24 | 20 | 19 | 16 | 19 |
| 10 | 39 | 29 | 23 | 19 | 38 | 28 | 22 | 18 | 27 | 22 | 18 | 17 | 14 | 17 |

Test 15109 Test Date 8/8/08



ZONAL LUMEN SUMMARY

| Zone | Lumens | % Lamp | % Fixt. |
|-------|--------|--------|---------|
| 0-30 | 517 | 18.8 | 25.3 |
| 0-40 | 859 | 31.2 | 42.1 |
| 0-60 | 1575 | 57.3 | 77.1 |
| 0-90 | 2043 | 74.3 | 100.0 |
| 0-180 | 2043 | 74.3 | 100.0 |

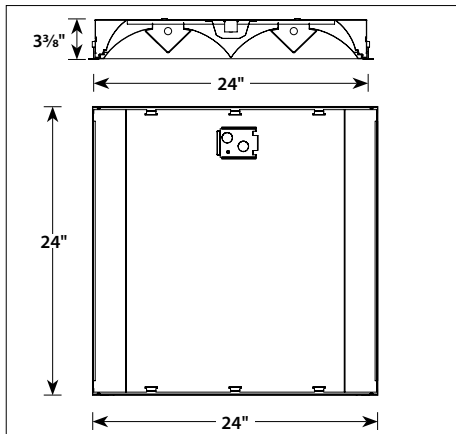
RCR = Room Cavity Ratio

RC = Effective Ceiling Cavity Reflectance RW = Wall Reflectance

ENERGY DATA

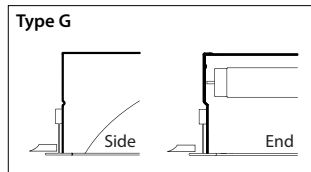
| | |
|---|--|
| Total Luminaire Efficiency | 74.3% |
| Luminaire Efficacy Rating (LER) | 59 |
| IESNA RP-1-2004 Compliance | Non-Compliant |
| Comparative Yearly Lighting Energy Cost per 1000 Lumens | \$4.07 based on 3000 hrs. and \$0.08 per KWH |

DIMENSIONAL DATA

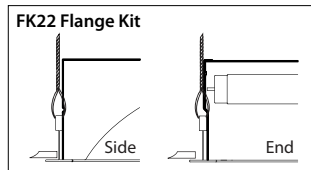


NOTE: All dimensions are in inches; dimensions and specifications are subject to change without notice. Please consult factory or check sample for verification.

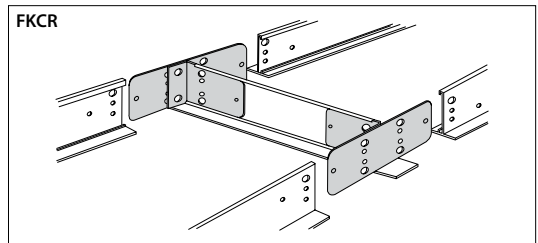
CEILING COMPATIBILITY



For lay-in installation in exposed grid ceilings. Maximum tee widths of 1" and maximum tee heights of 2" allowed.



For hard ceiling applications, order FK22 flange kit. Flange kit wires directly into concealed ceiling opening for a clean, finished appearance.



For flanged fixtures in row configurations, the FKCR adapter bracket kit is required in addition to the FK22 kit. Order one less FKCR than the total number of fixtures in row. (Example: Row of two, order (2) FK22 & (1) FKCR)

Row cut out dimensions using FK22s & FKCR adapters:
Width 24", Length [24" x (# in row)] + 3/8".
Example: (24" x 2) + 3/8" = 48 3/8"

Flange kit cut out dimension for single unit only: 24 3/8" x 24 3/8"