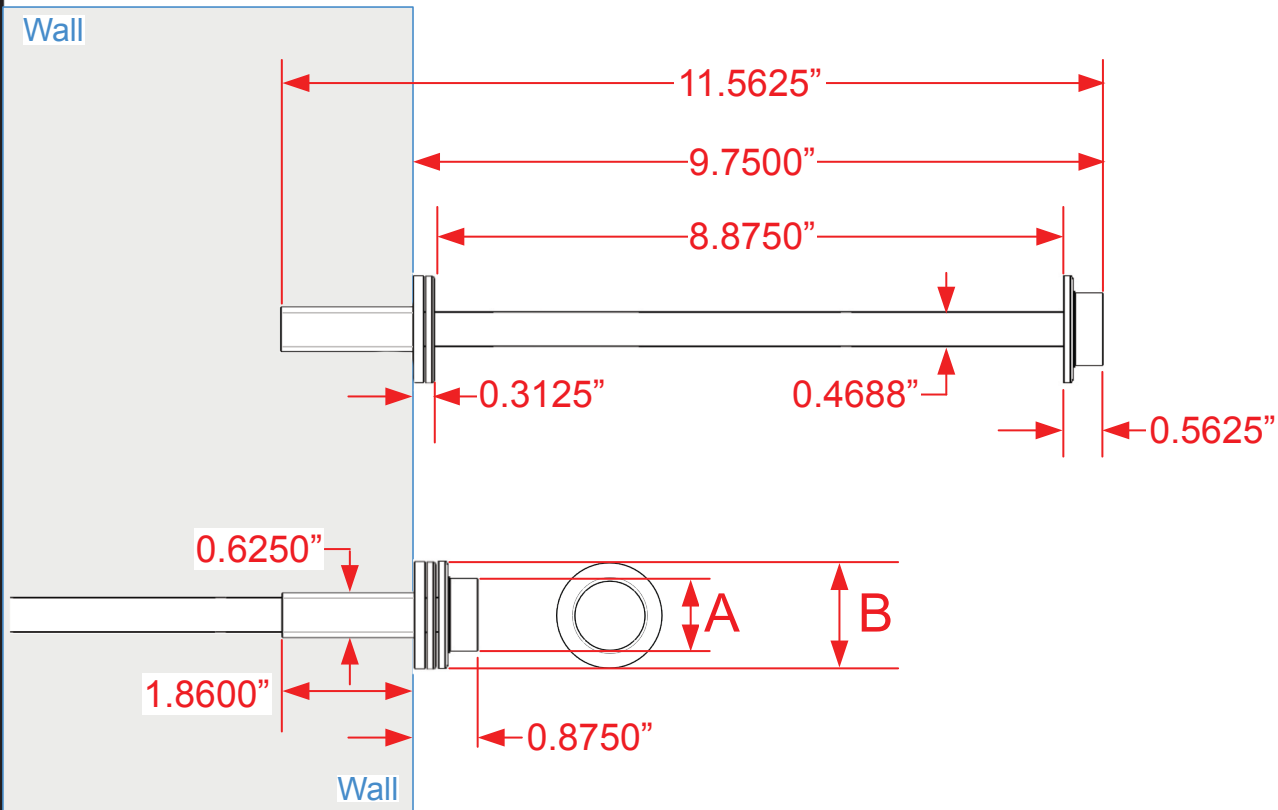
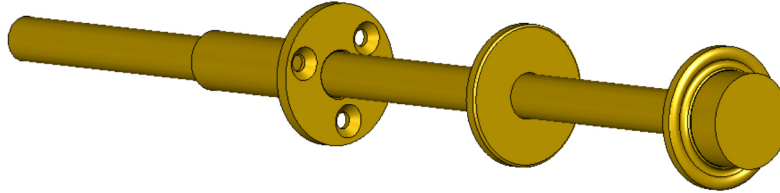


ER110 & SER110 Garment Rods

Page 1 of 2



	A	B
Part #	Pull Knob Diameter	Mounting Flange Width
ER110	1.0000"	1.5000"
SER110	1.0000"	1.2500"
Custom Sizing Available		
See page 2 for installation instructions		



Manufacturing Fine Architectural Hardware
in the USA Since 1927



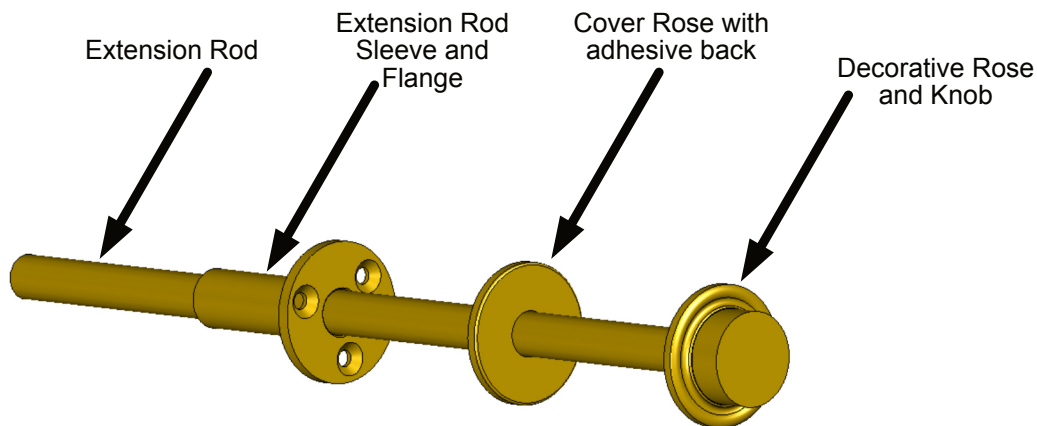
Copyright 2015
Colonial Bronze Company
All rights reserved
www.colonialbronze.com -
860.489.9233

ER110 & SER110 Garment Rods

Page 2 of 2



Instructions for mounting Colonial Bronze's ER110 and SER110 garment extension rods for installation with wood block backing



Step 1:

Drill a 5/8" diameter hole for installation of the extension rod holder and rod.

Step 2:

Insert extension rod sleeve with rod into the wall and use a pencil to mark location of the three screws that will secure the extension rod holder to the wall.

Step 3:

Remove the extension rod sleeve from the wall and drill the three holes you marked. Reinsert the extension rod sleeve into the wall and screw into wall with the three #8 x 1" wood screws.

Step 4:

Remove backing from adhesive on the cover rose and press against face of rod holder to cover the three exposed wood screws.



Manufacturing Fine Architectural Hardware
in the USA Since 1927



Copyright 2015
Colonial Bronze Company
All rights reserved
www.colonialbronze.com -
860.489.9233