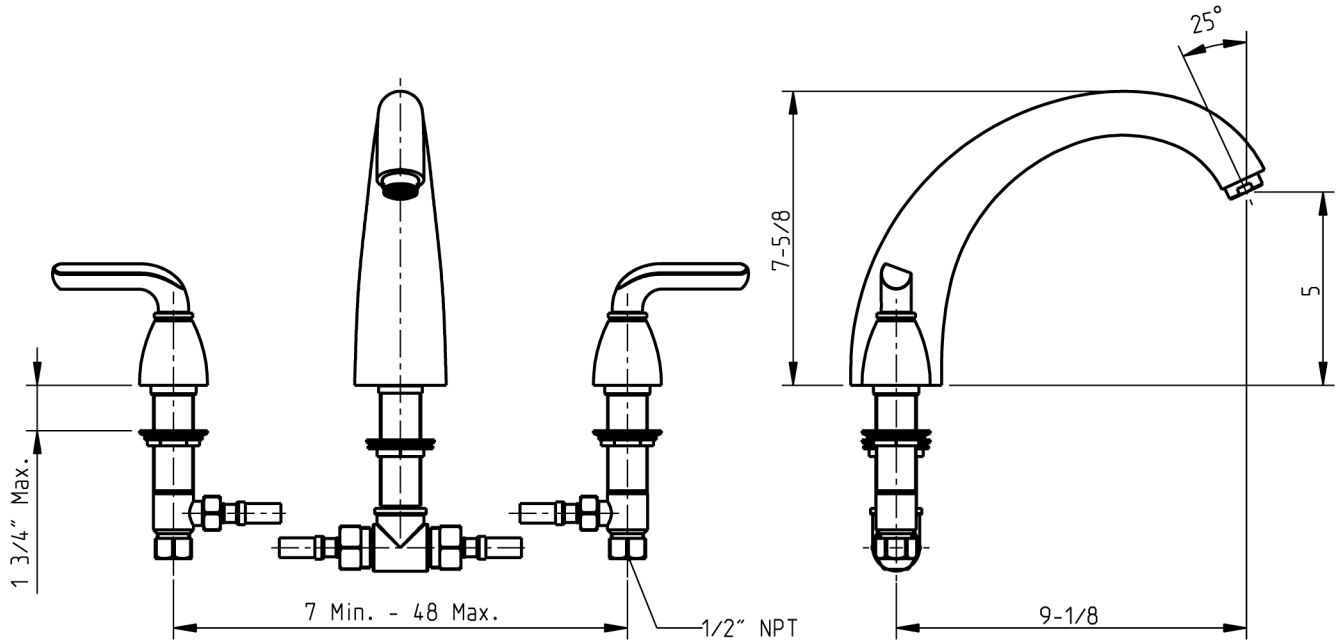


TECHNICAL SPECIFICATIONS

Stone Mountain

Roman tub filler

code | 295 650 xxx



Rough: 289 741 999 (sold separately)

5663385
983SN02W04

PLUMBING

CIFIAL Torneiras, S.A.

Portugal T +351 256 780 700 F +351 256 780 710 cifial@cifial.pt www.cifial.pt

CIFIALDECOR, S.A.

Espanha T +34 916 110 261 F +34 916 103 694 cifialdecor@infonegocio.com

CIFIAL UK, Ltd.

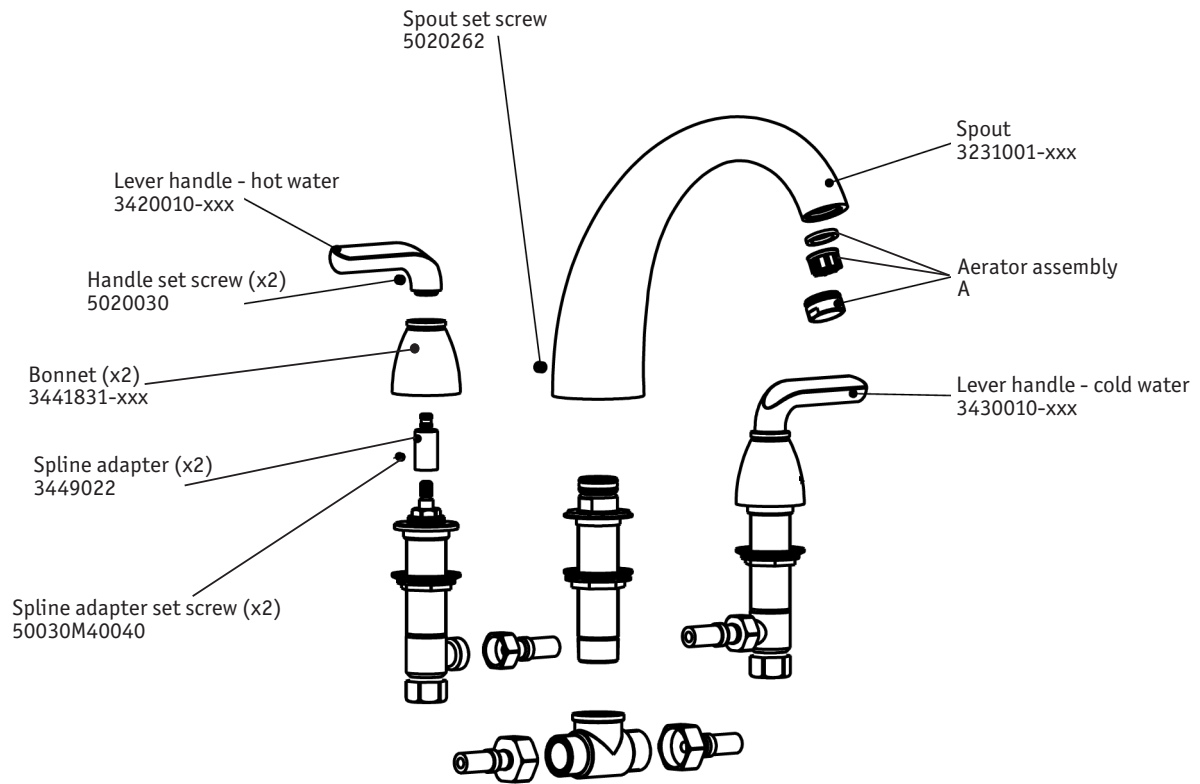
UK P +44 1933 402 008 F +44 1933 402 063 sales@cifial.co.uk www.cifial.co.uk

CIFIAL USA

USA P +1800 5284904 F +1800 5281969 info@cifialusa.com www.cifialusa.com

CIFIAL





5663385
983SN02W04

Note: xxx represent different finishing.

	625	620	D15	D20
A	5700160	3460012-620 5C02017 5C03017	3460012-616 5C02017 5C03017	3460012-617 5C02017 5C03017