

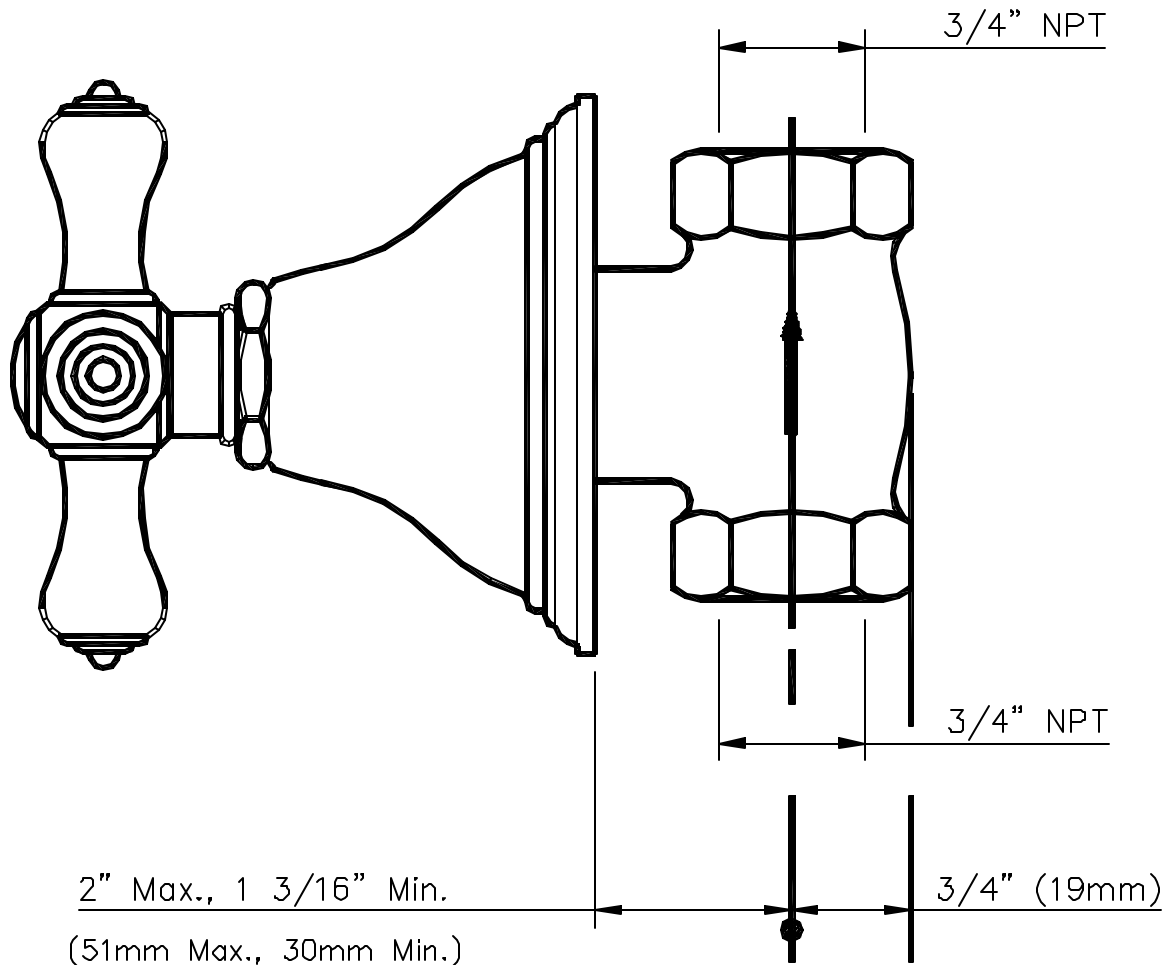
TECHNICAL SPECIFICATIONS

Asbury Series: Stop Valve

27x665

Model#

272 665 xxx
273 665 xxx
275 665 xxx
276 665 xxx



Trim: Hot forged brass.

Valve: $1/2"$ Ceramic disc valve cartridge.

500,000 Tested cycles.

$3/4"$ Turn positive on/off.

Non-rising spindle

2935 Amwiler Road
Atlanta, GA 30360-6001

CIFIAL 

Phone: 800.528.4904
Fax: 800.528.1969

TECHNICAL SPECIFICATIONS

Asbury Series: Stop Valve

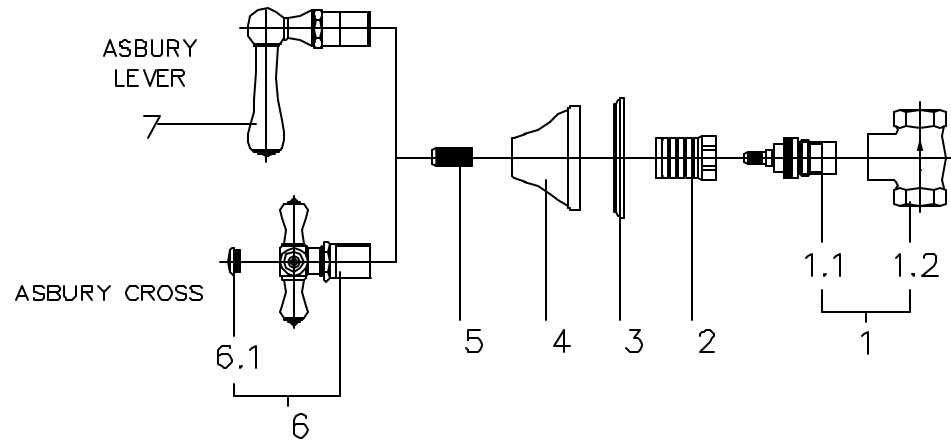
27x665

Service Parts

1	Stop valve	
1.1	Stop valve body	
1.2	1/2" x 1/4" valve	
2	Stem nut adapter	
3	Spout collar	
4	Bell	
5	Extension 23mm	
6	Asbury brass cross handle	
6.1	Button assembly	
7	Asbury brass lever handle	

Model#

272 665 xxx
273 665 xxx
275 665 xxx
276 665 xxx



If Max depth is exceeded, stem nut adapter may be cut (however note minimum length of 1 inch from finished wall)

