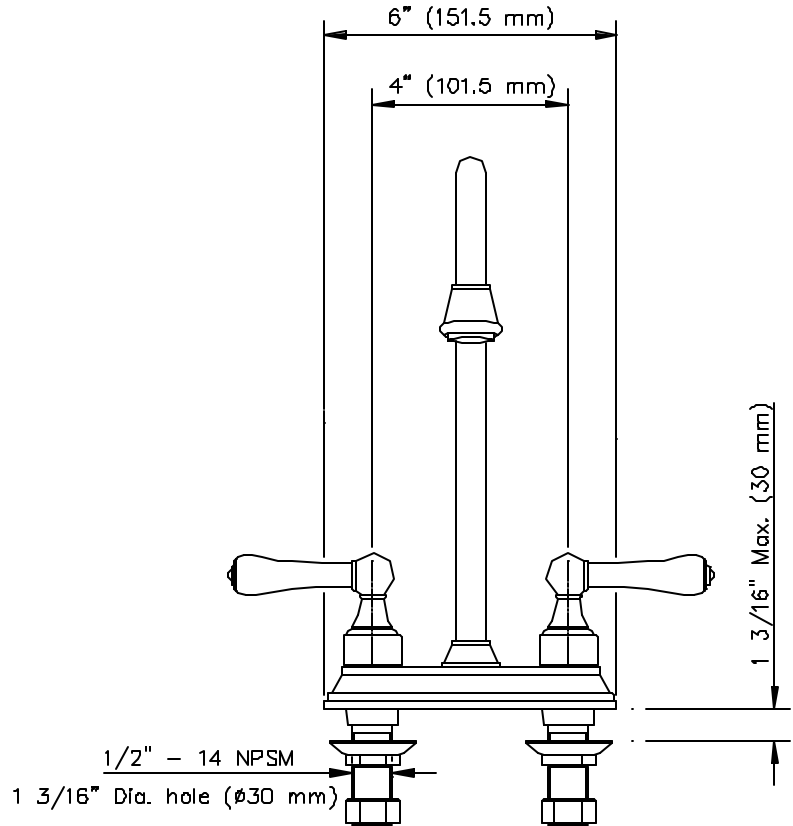
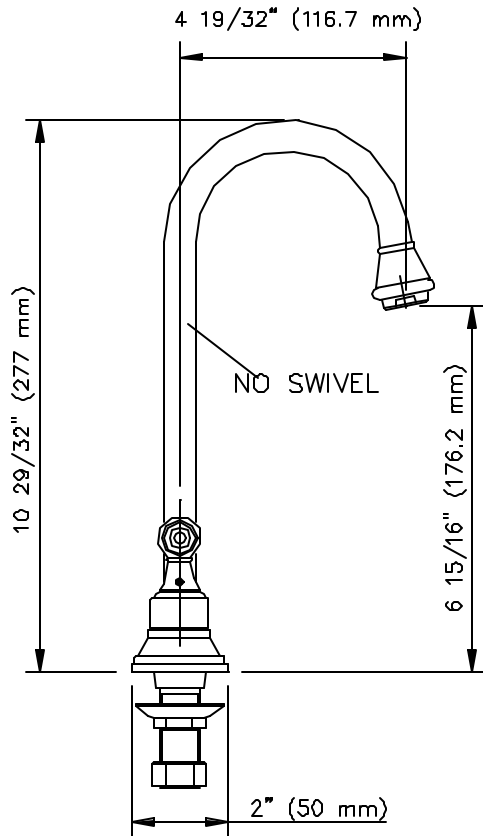


# TECHNICAL SPECIFICATIONS

## Asbury Series: Centerset Bar Faucet

27x225

<b>Asbury#</b>	272 225 xxx	277 225 xxx
	273 225 xxx	278 225 xxx
	275 225 xxx	



**Centerset:** Cast & tubular brass, no swivel.

**Trim:** Hot forged brass.  
Three handles available

**Valve:** 1/2" Ceramic disc valve cartridge.  
1,000,000 Tested cycles.  
1/4 Turn positive on/off.  
Non-rising spindle.

**Inlets:** Sized for either coupling or sweat connections

**Pressure:** Maximum (tested): 200 psi (14.1 kg/cm).  
Recommended (flowing): 15-75 psi (1.1-5.3 kg/cm)

**Waste:** 1 1/4" Pop-up waste.

**Flow rates:** 2.2 GPM @ 60psi (flowing); (8.4 l/min. @ 4.2 kg/cm (flowing))

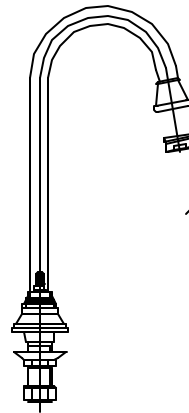
# TECHNICAL SPECIFICATIONS

## Asbury Series: Centerset Bar Faucet

27x225

### Service Parts

1	Aerator	
2	O-ring 12.3 x 2.4	
3	Hold-down nut	
4	Supply nut	
5	Lock nut	
6	Washer	
7	Bar faucet body	
8	1/2" Ceramic disc 1/4" turn valve cartridge	
9	Compl. Asbury Cross handle	
9.1	Handle body	
9.2	M4 x 25 screw	
9.3	Button assembly	
10	Compl. Countryside Lever handle	
10.1	8 x 32 (1/8") Set screw	
10.2	Handle without set screw	
11	Compl. Asbury Lever handle	
11.1	Handle without set screw	
12	Bar faucet spout	
13	O-ring 18.77 x 1.78	



### Asbury#

272 225 xxx 277 225 xxx  
 273 225 xxx 278 225 xxx  
 275 225 xxx

