

# TECHNICAL SPECIFICATIONS

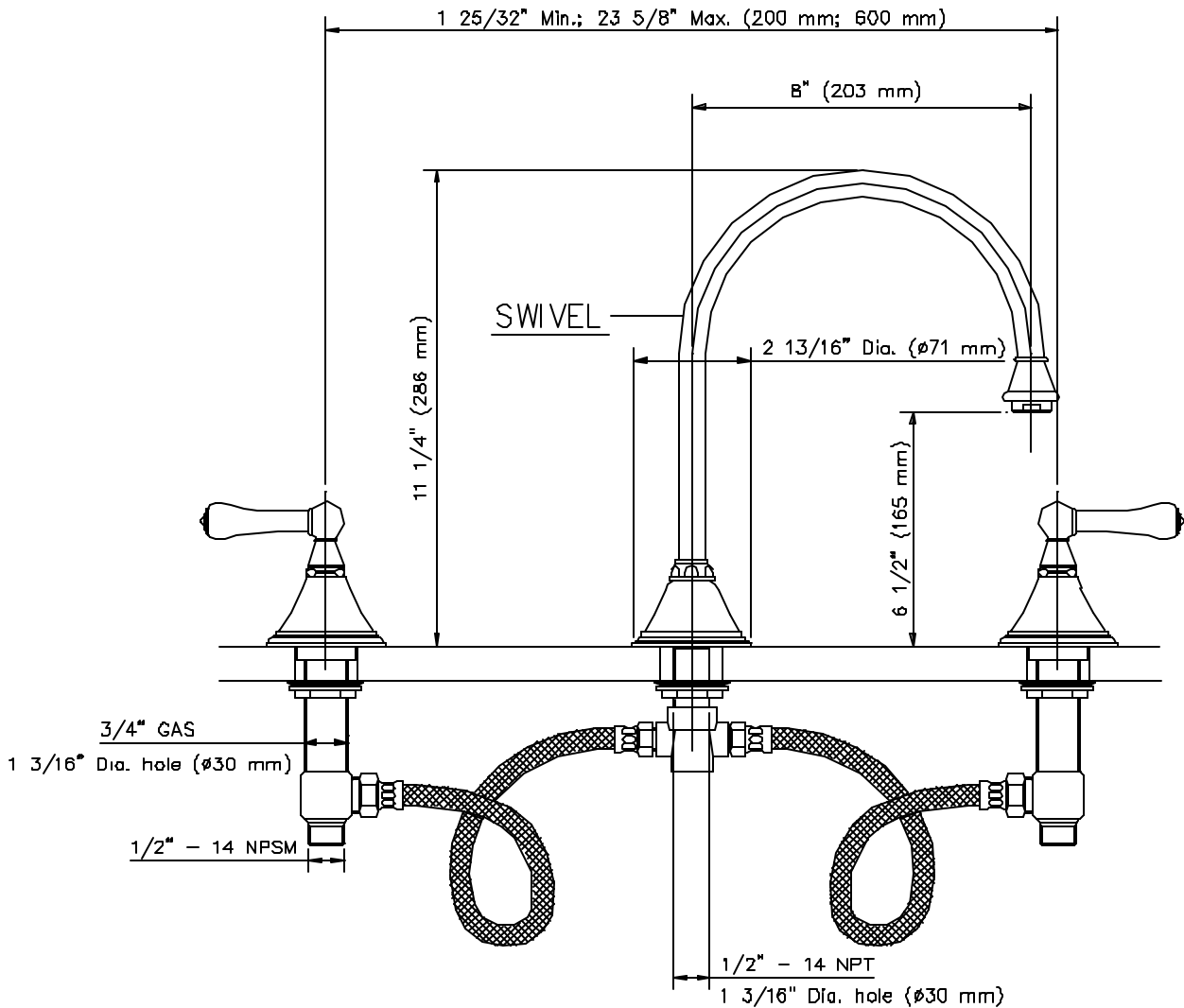
Asbury Series: Kitchen Widespread w/o Spray

27x230

Asbury#

272 230 xxx  
273 230 xxx  
275 230 xxx

277 230 xxx  
278 230 xxx



**Centerset:** Cast & tubular brass, no swivel.

**Trim:** Hot forged brass.  
Three handles available

**Valve:** 1/2" Ceramic disc valve cartridge.  
1,000,000 Tested cycles.  
1/4 Turn positive on/off.  
Non-rising spindle.

**Inlets:** Sized for either coupling or sweat connections

**Pressure:** Maximum (tested): 200 psi (14.1 kg/cm).  
Recommended (flowing): 15-75 psi (1.1-5.3 kg/cm)

**Waste:** 1 1/4" Pop-up waste.

**Flow rates:** 2.2 GPM @ 60psi (flowing); (8.4 l/min. @ 4.2 kg/cm (flowing)

2935 Amwiler Road  
Atlanta, GA 30360-6001

CIFIAL 

Phone: 800.528.4904  
Fax: 800.528.1969

# TECHNICAL SPECIFICATIONS

**Asbury Series:** Kitchen Widespread w/o Spray

27x230

**Service Parts**

**Asbury#**  
 272 230 xxx    277 230 xxx  
 273 230 xxx    278 230 xxx  
 275 230 xxx

1		
1.1		
2	M24x1 aerator	
3	Trim ring	
4	Washer	
5	Locknut	
6	Tee	
7	Flexible hose	
8		
8.1		
8.2		
8.3		
9		
10	Bell	
11	Asbury brass lever handle	
12	Asbury brass cross handle	
12.1		
12.2		

