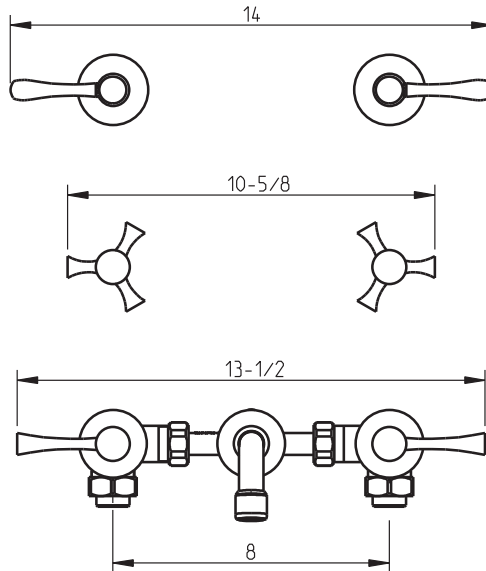


TECHNICAL SPECIFICATIONS

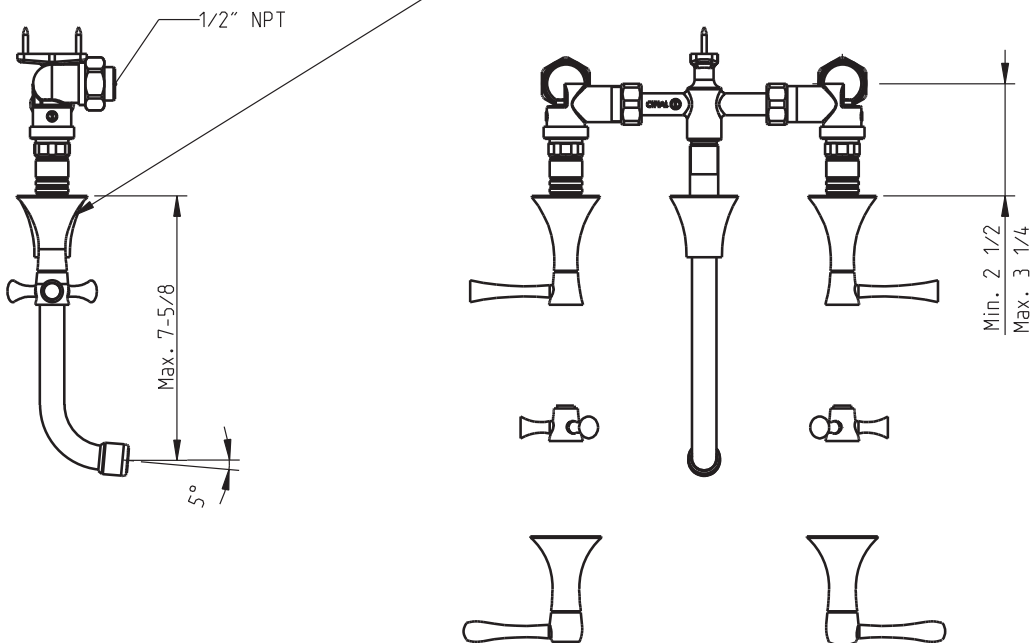
Brookhaven

Wall mount lavatory faucet

code | 244 156 xxx
 245 156 xxx
 246 156 xxx



identification and c-UPC NSF61-9 certification label



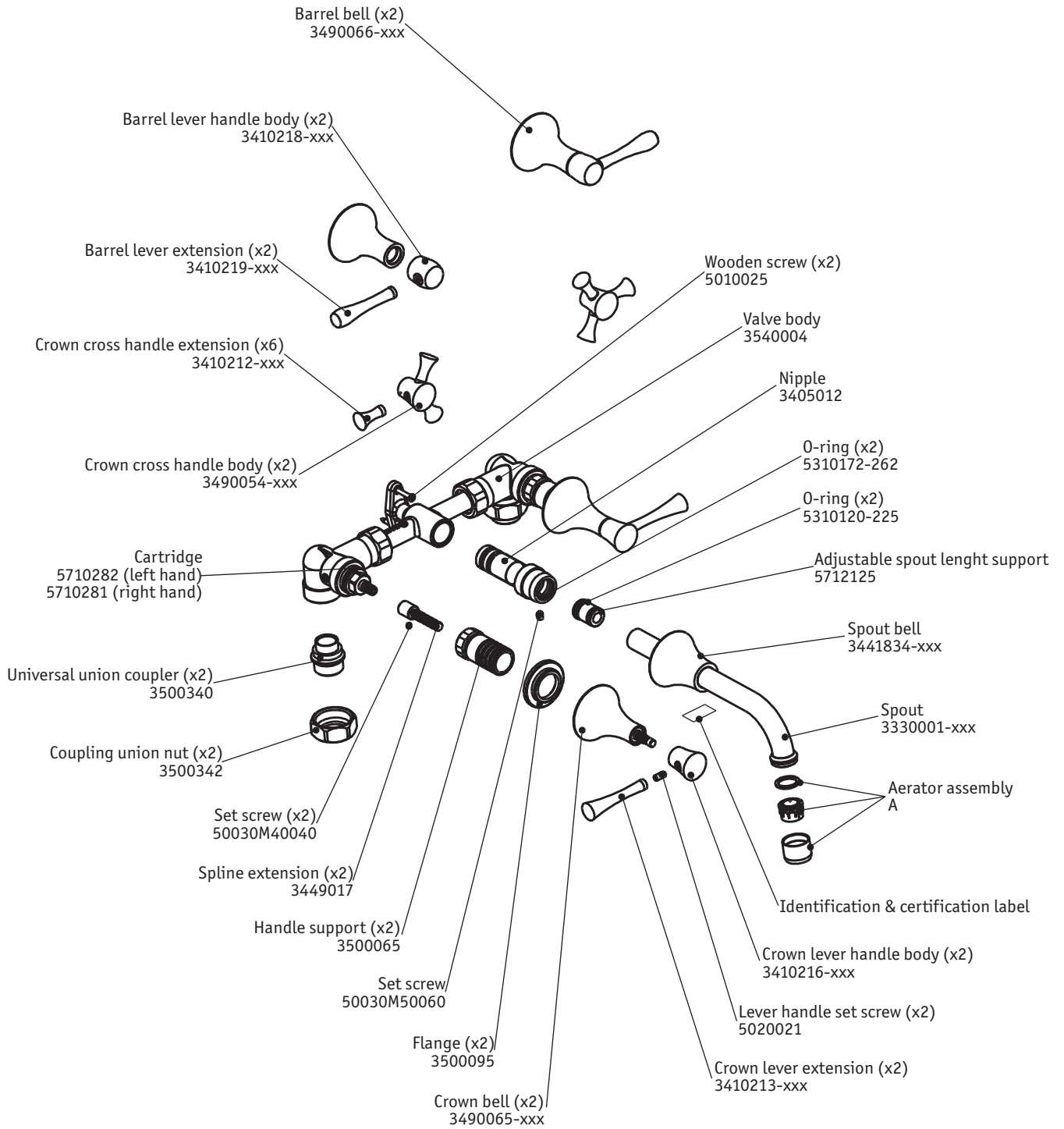
5663741
 983MW021W01

dimensions inches

PLUMBING

CIFIAL USA
 USA P +1800 5284904 F +1800 5281969 info@cifialusa.com www.cifialusa.com
CIFIAL Torneiras, S.A.
 Portugal T +351 256 780 700 F +351 256 780 710 cifial@cifial.pt www.cifial.pt
CIFIALDECOR, S.A.
 Espanha T +34 916 110 261 F +34 916 103 694 cifialdecor@infonegocio.com
CIFIAL UK, Ltd.
 UK P +44 1933 402 008 F +44 1933 402 063 sales@cifial.co.uk www.cifial.co.uk





5663741
983MW021W01

Note: xxx represent different finishes.

	625	620	721	V05
A	5713110	346009-620 5C02043 5C03039		