

TECHNO 25

technical specifications

225 100 XXX

Single handle low profile lavatory faucet



CIFIAL

COMPLETE **BATH** SOLUTIONS

CIFIAL – Torneiras, S.A.
Apartado 413
4524-907 Riomeão
PORTUGAL
40° 57' 29.20" N
8° 35' 11.40" W
Tel: +351 256 780 100
Fax: +351 256 783 395
comercial.torneiras@cifial.pt
www.cifial.pt

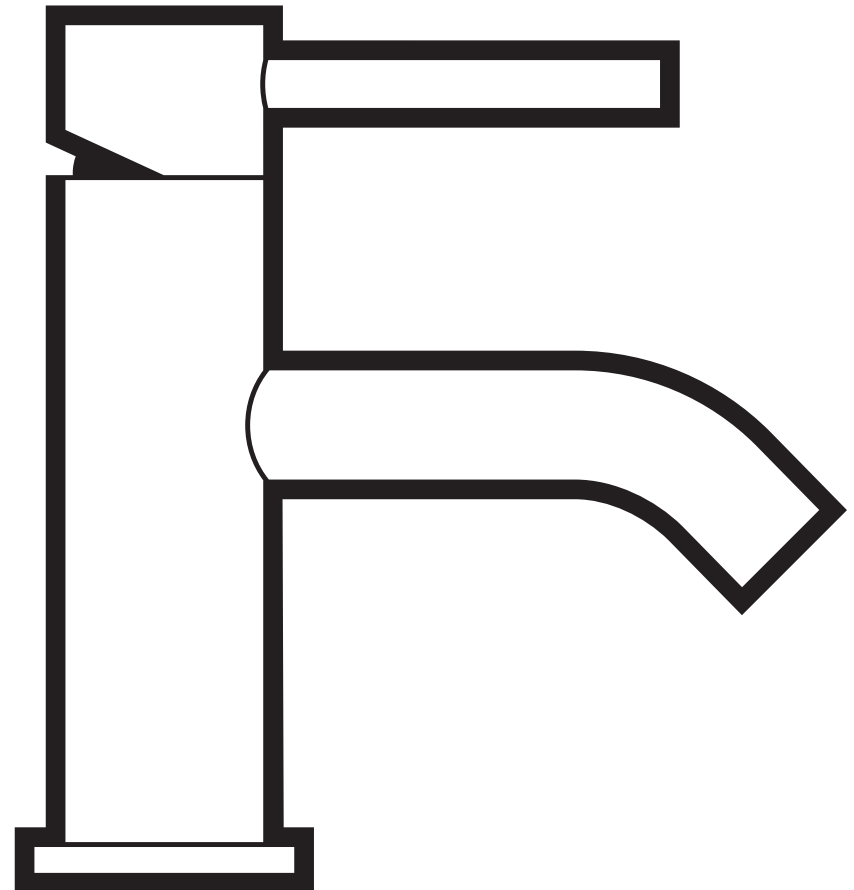
CIFIALdecor, S.A.
Avda. del Petróleo, 44
(Pol. Ind. San José de
Valderas)
28918 Leganes, Madrid
ESPAÑA
Tel: +34 916 110 261
Fax: +34 916 103 694
cifial@cifial.es

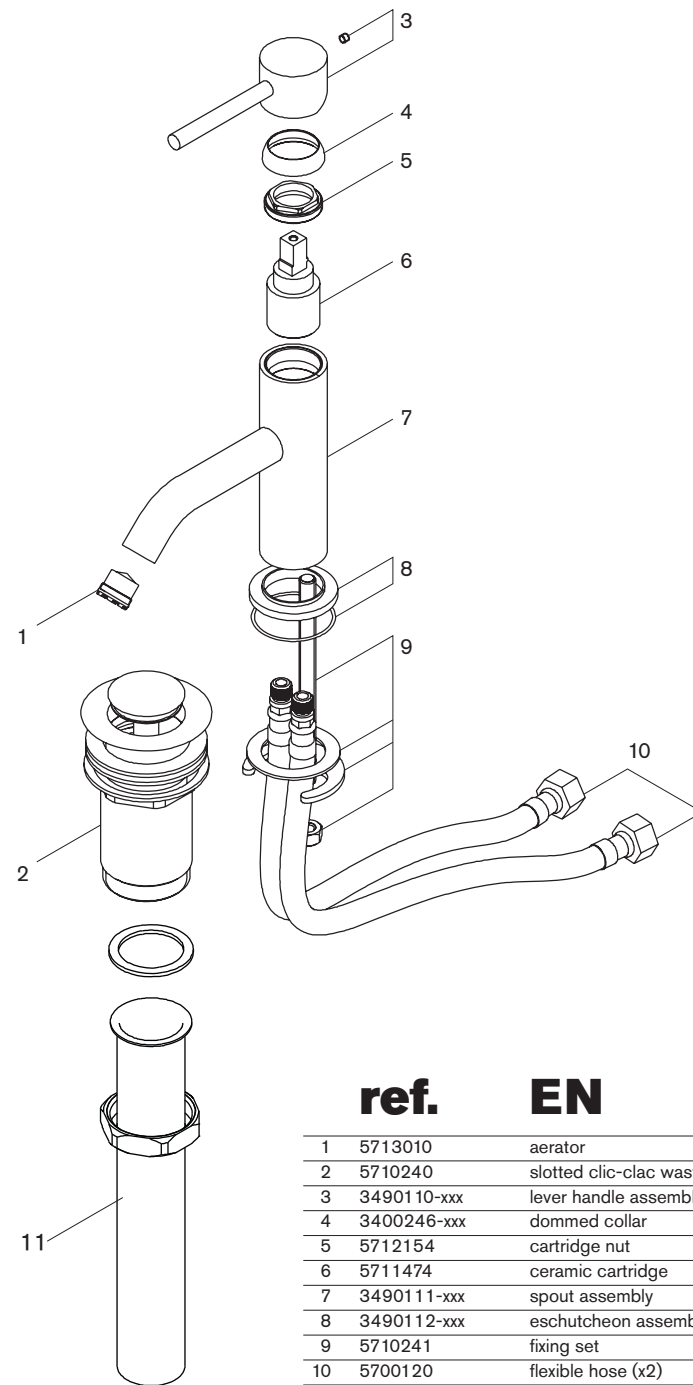
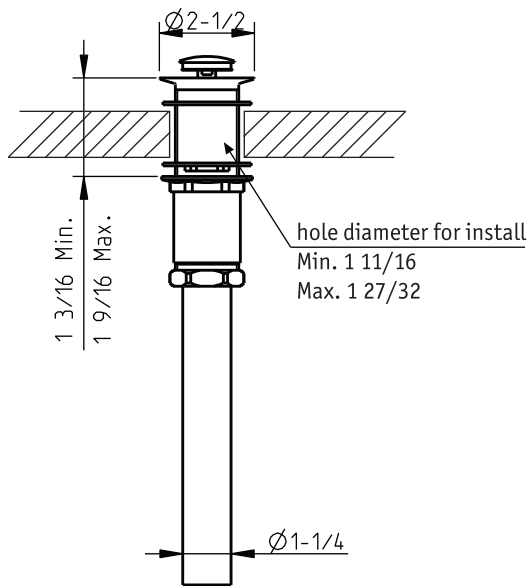
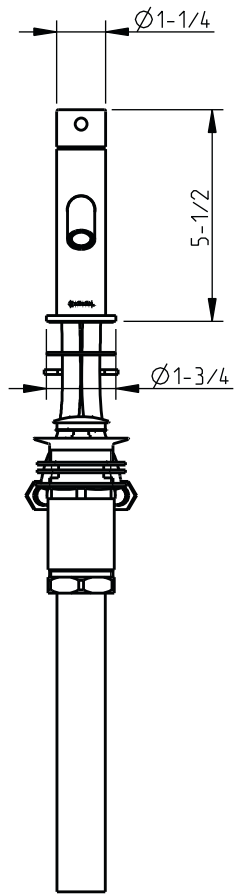
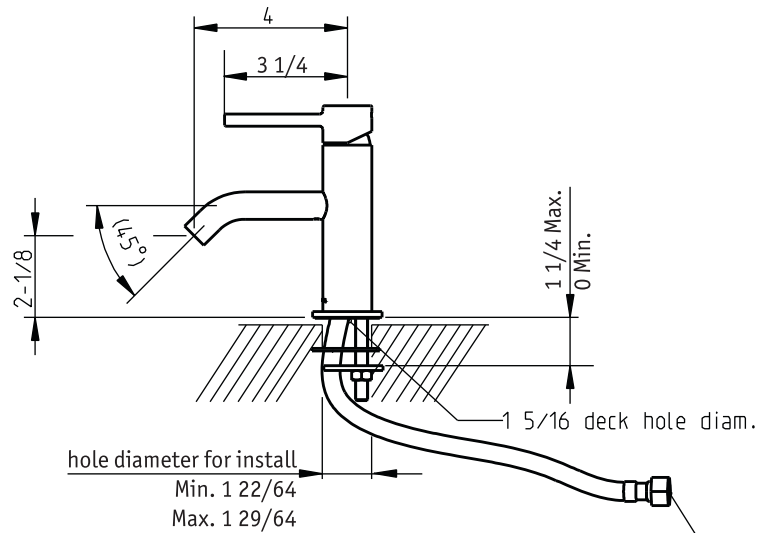
CIFIAL UK, Ltd.
7 Faraday Court, Park Farm
Industrial Estate, Wellingbor-
ough, Northants NN8 6XY
UK
Phone: +441 933 402 008
Fax: +441 933 402 063
sales@cifial.co.uk
www.cifial.co.uk

CIFIAL USA
2935 Amwiler Road
Atlanta, GA 30360-6001
USA
Tel: +1 800 528 4904
Fax: +1 800 528 1969
info@cifialusa.com
www.cifialusa.com

CIFIAL Polska sp. z o.o.
ul. Macieja Rataja 12
05-070 Sulejówek
Warsaw
POLAND
Tel: +48 22 7831699
Fax: +48 22 783 15 09
cifial@cifial.pl
www.cifial.pl

5663963 / 983M001W01





ref. EN

1	5713010	aerator
2	5710240	slotted clic-clac waste assembly
3	3490110-xxx	lever handle assembly
4	3400246-xxx	dommed collar
5	5712154	cartridge nut
6	5711474	ceramic cartridge
7	3490111-xxx	spout assembly
8	3490112-xxx	eschutcheon assembly
9	5710241	fixing set
10	5700120	flexible hose (x2)
11	(*)	slotted clic-clac waste assembly tube

5663963 / 983M001W01

(*) 625: 5710018
 w15 / 620: 3620030-xxx

dimensions inches

note: xxx stands for different finishes