



COMPLETE
BATH
SOLUTIONS

CIFIAL – Torneiras, S.A.
Apartado 413
4524-907 Riomeão
PORTUGAL
40° 57' 29.20" N
8° 35' 11.40" W
Tel: +351 256 780 100
Fax: +351 256 783 395
comercial.torneiras@cifial.pt
www.cifial.pt

CIFIALdecor, S.A.
Avda. del Petróleo, 44
(Pol. Ind. San José de
Valderas)
28918 Leganes, Madrid
ESPAÑA
Tel: +34 916 110 261
Fax: +34 916 103 694
cifial@cifial.es

CIFIAL UK, Ltd.
7 Faraday Court, Park Farm
Industrial Estate, Wellingbor-
ough, Northants NN8 6XY
UK
Phone: +441 933 402 008
Fax: +441 933 402 063
sales@cifial.co.uk
www.cifial.co.uk

CIFIAL USA
2935 Amwiler Road
Atlanta, GA 30360-6001
USA
Tel: +1 800 528 4904
Fax: +1 800 528 1969
info@cifialusa.com
www.cifialusa.com

CIFIAL Polska sp. z o.o.
ul. Macieja Rataja 12
05-070 Sulejów
Warsaw
POLAND
Tel: +48 22 7831699
Fax: +48 22 783 15 09
cifial@cifial.pl
www.cifial.pl

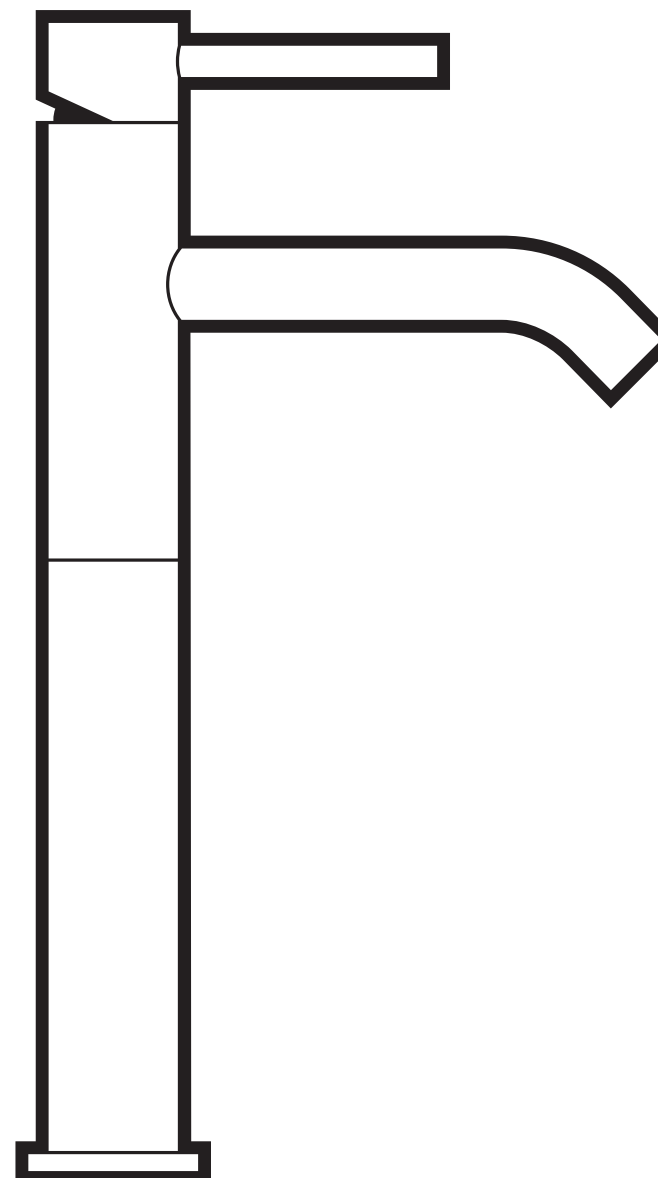
5663962 / 983M000W01

TECHNO 25

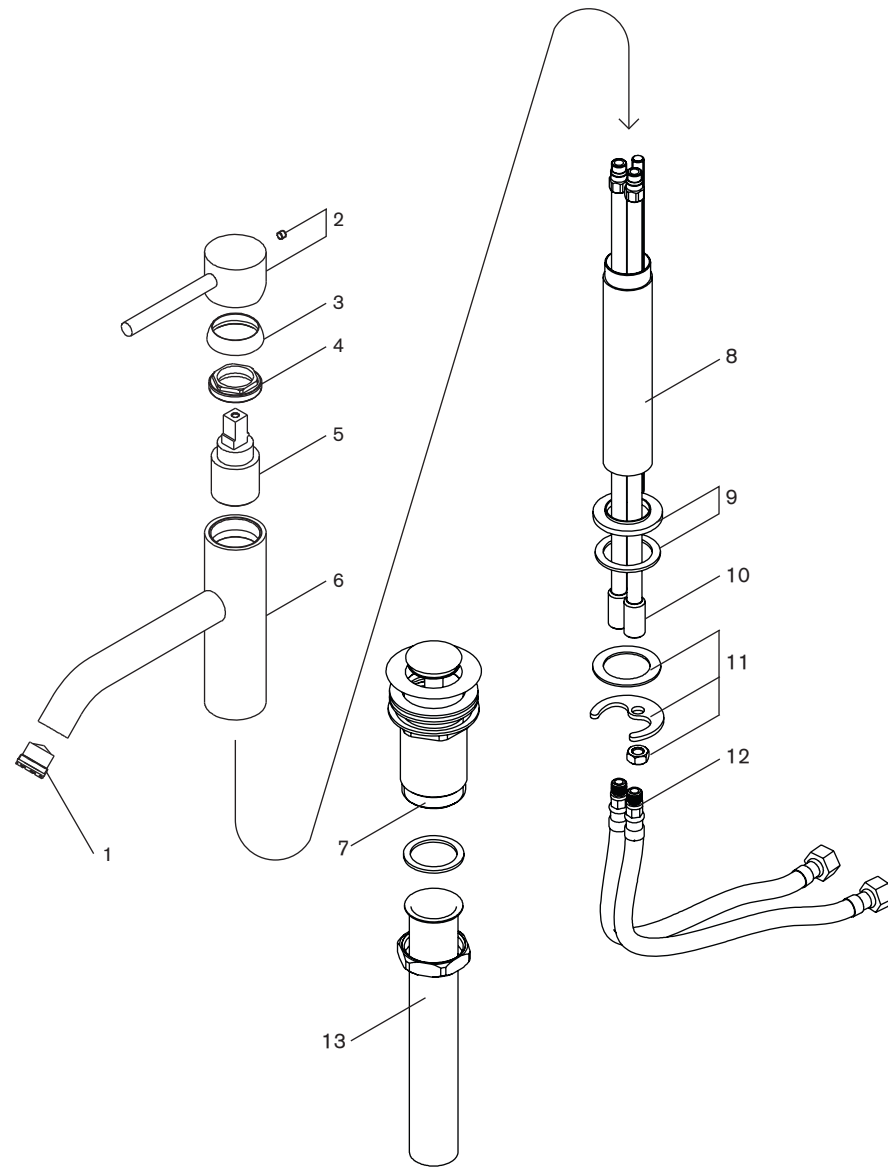
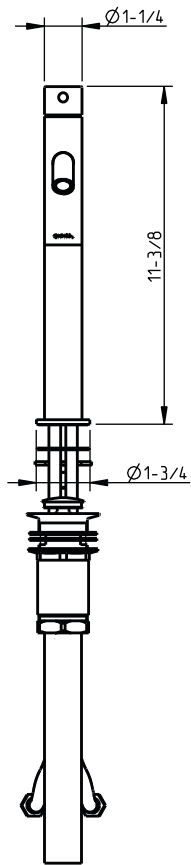
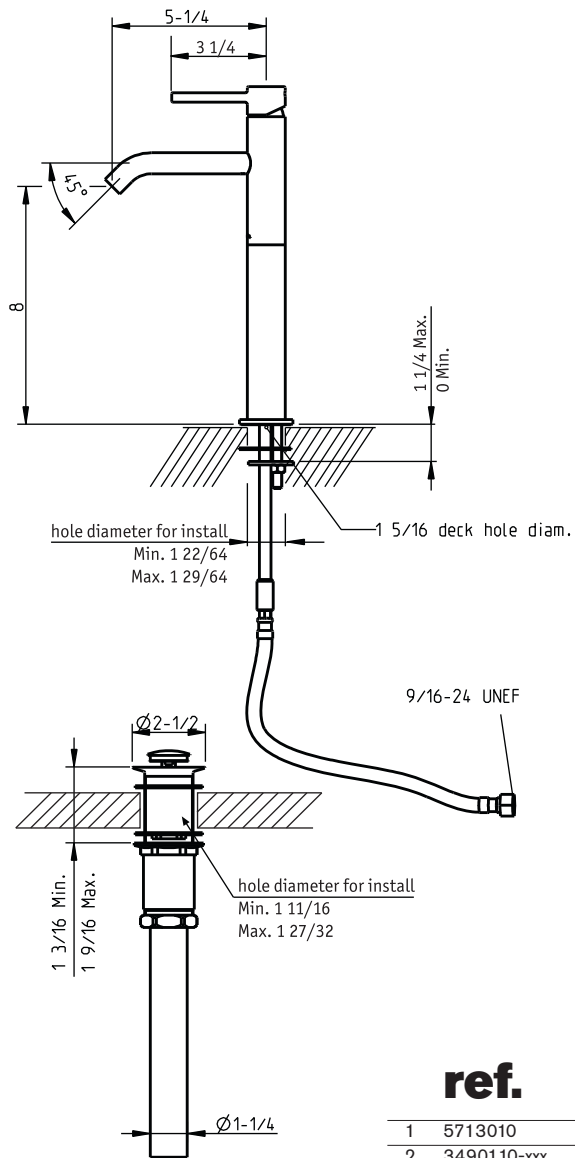
technical specifications

225 101 XXX

Single handle high profile lavatory faucet



CIFIAL



ref. EN

| | | |
|----|-------------|---------------------------------------|
| 1 | 5713010 | aerator |
| 2 | 3490110-xxx | lever handle assembly |
| 3 | 3400246-xxx | dommed collar |
| 4 | 5712154 | cartridge nut |
| 5 | 5711474 | ceramic cartridge |
| 6 | 3490113-xxx | spout assembly |
| 7 | 5710240 | slotted clic-clac waste assembly |
| 8 | 3400245-xxx | tap body extension |
| 9 | 3490112-xxx | eschutcheon assembly |
| 10 | 5700120 | flexible hose (x2) |
| 11 | 5710241 | fixing set |
| 12 | 5700120 | flexible hose (x2) |
| 13 | (*) | slotted clic-clac waste assembly tube |

5669962 / 983M000W01

(*) 625: 5710018
w15 / 620: 3620030-xxx

dimensions inches

note: xxx stands for different finishes