

MECHANICAL FAUCETS

737-LESARCF

Manual and Metering Faucets

Product Type

Wall Mounted 3 3/8" Fixed Centers Hot and Cold Water Sink Faucet

Features & Specifications

- 3 3/8" Fixed Centers
- Quatum Compression Operating Cartridge
- 1 1/16" - 18 UNEF Male Threaded Inlets
- 2 5/16" Diameter Slip Flange

Performance Specification

- Rated Operating Pressure: 20-125 PSI
- Rated Operating Temperature: 40-140°F

Warranty

- Lifetime Limited Faucet Warranty
- 5-Year Limited Cartridge Warranty
- 1-Year Limited Finish Warranty

Codes & Standards

- ASME A112.18.1/CSA B125.1
- ADA ANSI/ICC A117.1

Job Name _____

Item Number _____

Section/Tag _____

Model Specified _____

Architect _____

Engineer _____

Contractor _____

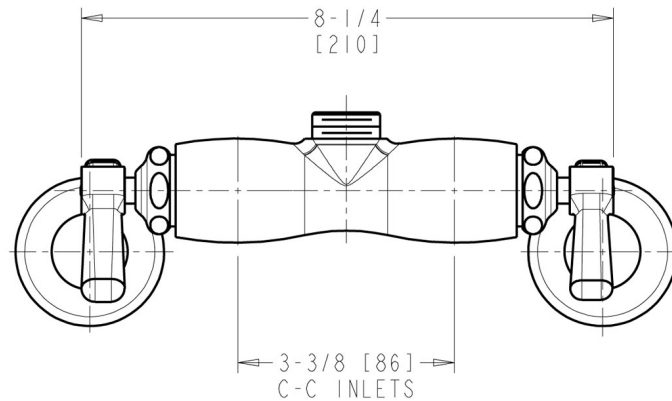
Submitted as Shown Submitted with Variations

Date _____

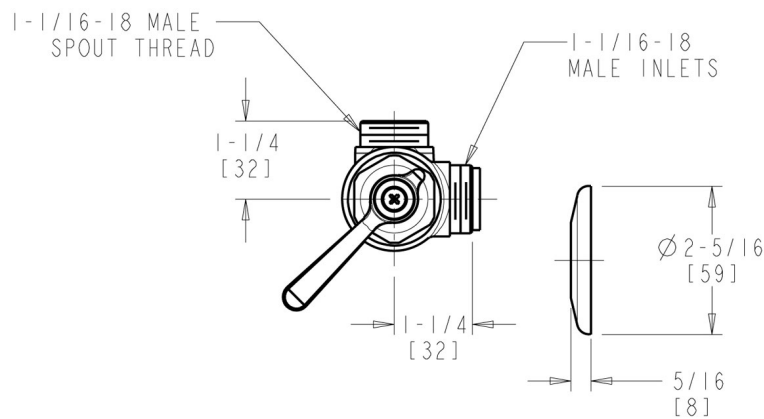


Architect/Engineer Specification

Chicago Faucets No. 737-LESARCF, Wall Mounted 3 3/8" Fixed Centers Hot and Cold Water Sink Faucet, Rough Chrome plated solid brass construction. Quatern™ rebuildable compression cartridge, opens and closes 90°, closes with water pressure, features square tapered stem. 1 1/16" - 18 UNEF Male Threaded Inlets. 2 5/16" Diameter Slip Flange. Mounting hardware included.



FRONT VIEW



SIDE VIEW

Operation and Maintenance

Installation should be in accordance with local plumbing codes. Flush all pipes thoroughly before installation. After installation, remove spout outlet or flow control and flush faucet thoroughly to clear any debris. Care should be taken when cleaning the product. Do not use abrasive cleaners, chemicals or solvents as they can result in surface damage. Use mild soap and warm water for cleaning and protecting the life of Chicago Faucet products. For specific operation and maintenance refer to the installation instructions and repair parts documents that are located at www.chicagofaucets.com.

Chicago Faucets, member of the Geberit Group, is the leading brand of commercial faucets and fittings in the United States, offering a complete range of products for schools, laboratories, hospitals, office buildings, food service, airports and sport facilities. Call 1.800.TECTRUE or 1.847.803.5000 Option 1 for installation or other technical assistance.

