

Kitchen Sink Faucet

Product Type

Kitchen Sink Faucet

Features & Specifications

- 8" C-C Cast Brass Swing Spout
- 2.2 GPM (8.3 L/min) Pressure Compensating Softflo® Aerator
- 4" Metal Wristblade Handles with Secured Red and Blue Service Buttons
- Quatum™ Operating Cartridges
- 1/2" NPSM Supply Inlets with Coupling Nut for 3/8" or 1/2" Flexible Riser
- ECAST® design provides durable brass construction with total lead content equal to or less than 0.25% by weighted average

Performance Specification

- Rating Operating Pressure: 20-125 PSI
- Rated Operating Temperature: 40-140°F

Warranty

- Lifetime Limited Faucet Warranty
- 5-Year Limited Cartridge Warranty
- 1-Year Limited Finish Warranty

Codes & Standards

- ASME A112.18.1M
- CSA B125.1
- Certified to NSF/ANSI 61, Section 9 by CSA
- California Health and Safety Code 116875 (AB1953-2006)
- Vermont Bill S.152
- ADA ANSI/ICC A117.1

Job Name _____

Item Number _____

Section/Tag _____

Model Specified _____

Architect _____

Engineer _____

Contractor _____

Submitted as Shown Submitted with Variations

Date _____



ECAST

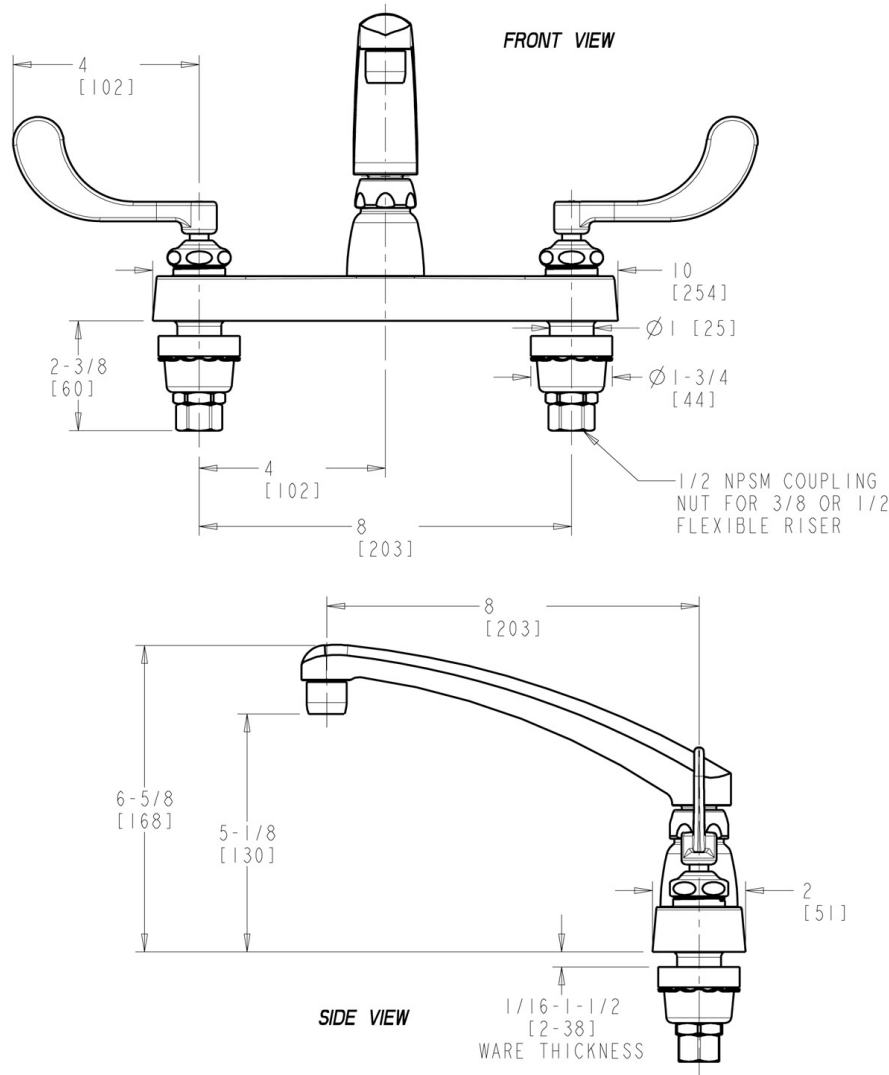
ECAST products are intended for installation where state laws and local codes mandate lead content levels or in any location where lead content is a concern.

1100-317ABCP

Kitchen Sink Faucet

Architect/Engineer Specification

Chicago Faucets No. 1100-317ABCP, polished chrome plated solid brass body and spout. ECAST® construction with less than 0.25% lead content by weighted average. 8" C-C cast swing spout. 2.2 GPM (8.3 L/min) pressure compensating vandal-resistant aerator outlet. 4" wristblade metal handles with eight-point tapered broach, secured, color-coded index buttons. Quatern™ quarter-turn renewable compression cartridge designed to close with water pressure, with square tapered broach feature to help facilitate handle removal. 8" rigid valve body centers with 1/2" NPSM threaded inlets and coupling nuts for 3/8" or 1/2" flexible risers. Mounting hardware included. This product meets ADA ANSI/ICC A117.1 requirements and is tested and certified to industry standards: ASME A112.18.1M, CSA B125.1, Certified to NSF/ANSI 61, Section 9 by CSA, California Health and Safety Code 116875 (AB1953-2006), and Vermont Bill S.152.



Operation and Maintenance

Installation should be in accordance with local plumbing codes. Flush all pipes thoroughly before installation. After installation, remove spout outlet or flow control and flush faucet thoroughly to clear any debris. Care should be taken when cleaning the product. Do not use abrasive cleaners, chemicals or solvents as they can result in surface damage. Use mild soap and warm water for cleaning and protecting the life of Chicago Faucet products. For specific operation and maintenance refer to the installation instructions and repair parts documents that are located at www.chicagofaucets.com.

Chicago Faucets, member of the Geberit Group, is the leading brand of commercial faucets and fittings in the United States, offering a complete range of products for schools, laboratories, hospitals, office buildings, food service, airports and sport facilities. Call 1.800.TECTRUE or 1.847.803.5000 Option 1 for installation or other technical assistance.

